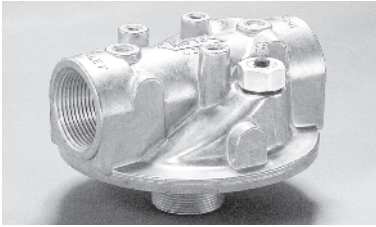


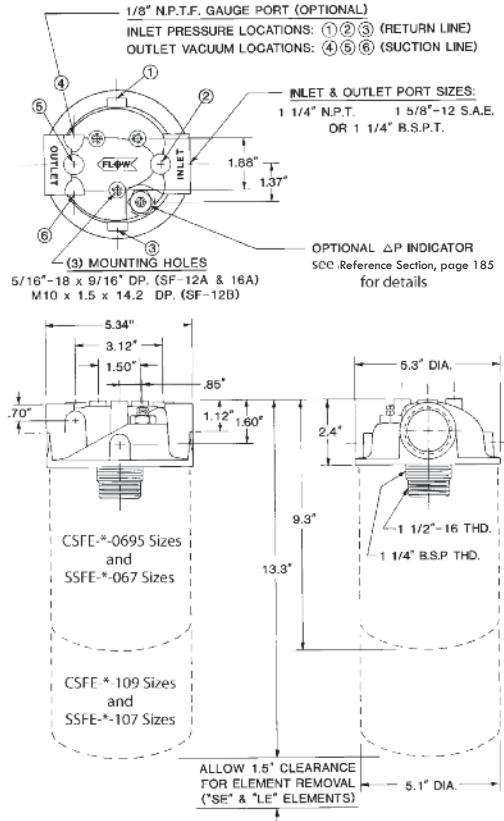
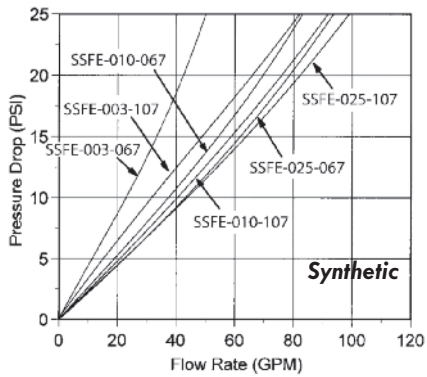
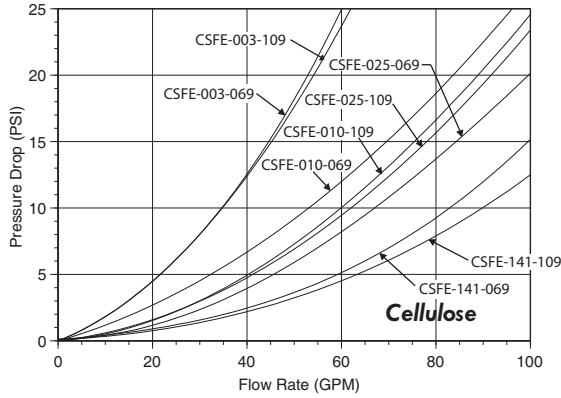
Spin-On Filter Head with ΔP Indicator Option:



Features:

- Flow Rates up to 70 GPM on Return (25 GPM Suction).
- Port Sizes 1 1/4" NPT, #20 SAE, or 1 1/4" BSPT.
- Maximum Operating Pressure of 200 PSI (**Warning: 80 PSI ΔP maximum without by-pass valve**).
- Maximum Operating Temperature of 250°F.
- Suitable for Petroleum based fluids only (consult factory for synthetic fluids).

Average Pressure Drop Through Clean Filter Assembly with 150 SUS Oil at 105° F.



5

How to Order:

SFH-P104/00-0-0-00

Code	Port Size & Type	
	Inlet Port	Outlet Port
P104	1 1/4" NPT	1 1/4" NPT
S020	#20 SAE	#20 SAE
B104	1 1/4" BSPT	1 1/4" BSPT

Code	By-Pass Valve Setting
00	No By-Pass
03	3 PSI
05	5 PSI
15	15 PSI
25	25 PSI
50	50 PSI

Code	Gauge Port Location (see above)
0	No Gauge Port
1,2,3	Inlet Pressure (Return Line)
4,5,6	Outlet Vacuum (Suction Line)

Code	ΔP Indicator Setting
00	No Indicator
04	4 PSID
13	13 PSID
22	22 PSID
44	44 PSID

Code	Indicator Option	Indicator Series
O	No Indicator	None
V	Visual Indicator	DP03 Series
E	DC Electric Single Wire	DP06 Series
B	Vis/Elec w/DIN Conn.	DP05 Series



Application Data:

- Maximum Operating Pressure: 200 PSI All Models (**Warning: 80 PSI ΔP maximum without by-pass valve in Filter Head.**)
- Operating Temperature: -65° F to 250° F.
- Fluid Compatability: Suitable for Petroleum based fluids only (consult factory for synthetic fluids).
- Gasket: Buna N Gasket Standard, fluorocarbon Gasket optional, consult factory.
- Filter Element Interchange: Consult factory or local distributor for information.
- Internal Combustion Engines: **CAUTION! Do Not Use SFE or SSFE Series filter elements on IC Engines.**
- Reference: 2/20/75 Beta_x Rating - see Reference Section, page 186 for more information

Beta_x Rating of 2 = 50% Efficiency (Nominal Rating)

Beta_x Rating of 20 = 95% Efficiency

Beta_x Rating of 75 = 98.7% Efficiency (Absolute Rating)

Spin-On Filter Elements

Cellulose Media Series: For use with Magnaloy SHF Series Spin-On Filter Head

Part Number	Outside Diameter	Mounting Thread	Micron Rating	Beta Rating (see below)	Filter Media Area	Color Can/Imprint	Water Holding Capacity	Overall Length
CSFE-003-069	5.1"	1 1/2-16 UN	3 Micron	3/10/22	850 in ²	White/Green		6.9"
CSFE-010-069	5.1"	1 1/2-16 UN	10 Micron	9/22/24	950 in ²	White/Red		6.9"
CSFE-025-069	5.1"	1 1/2-16 UN	25 Micron	29/46/54	950 in ²	White/Black		6.9"
CSFE-141-069	5.1"	1 1/2-16 UN	141 Micron		200 in ²	White/Blue		6.9"
CSFE-003-109	5.1"	1 1/2-16 UN	3 Micron	3/10/22	1170 in ²	White/Green		10.9"
CSFE-003-109/WA	5.1"	1 1/2-16 UN	3 Micron	5/21/23	648 in ²	White/Orange	15 oz.	10.9"
CSFE-010-109	5.1"	1 1/2-16 UN	10 Micron	10/22/33	1710 in ²	White/Red		10.9"
CSFE-010-109/WA	5.1"	1 1/2-16 UN	10 Micron	8/25/30	648 in ²	White/Orange	15 oz.	10.9"
CSFE-025-109	5.1"	1 1/2-16 UN	25 Micron	29/46/54	1710 in ²	White/Black		10.9"
CSFE-141-109	5.1"	1 1/2-16 UN	141 Micron		380 in ²	White/Blue		10.9"

5

Synthetic Media Series: (Z-Glass Media) For use with Magnaloy SHF Series Spin-On Filter Head

Part Number	Outside Diameter	Mounting Thread	Micron Rating	Beta Rating (see below)	Filter Media Area	Color Can/Imprint	Water Holding Capacity	Overall Length
SSFE-003-067	5.1"	1 1/2-16 UN	3 Micron	2/3/4	680 in ²	White/Green		6.7"
SSFE-010-067	5.1"	1 1/2-16 UN	10 Micron	4/10/12	561 in ²	White/Red		6.7"
SSFE-025-067	5.1"	1 1/2-16 UN	25 Micron	8/25/30	673 in ²	White/Black		6.7"
SSFE-003-107	5.1"	1 1/2-16 UN	3 Micron	2/3/4	1260 in ²	White/Green		10.7"
SSFE-010-107	5.1"	1 1/2-16 UN	10 Micron	4/10/12	1041 in ²	White/Red		10.7"
SSFE-025-107	5.1"	1 1/2-16 UN	25 Micron	8/25/30	1246 in ²	White/Black		10.7"