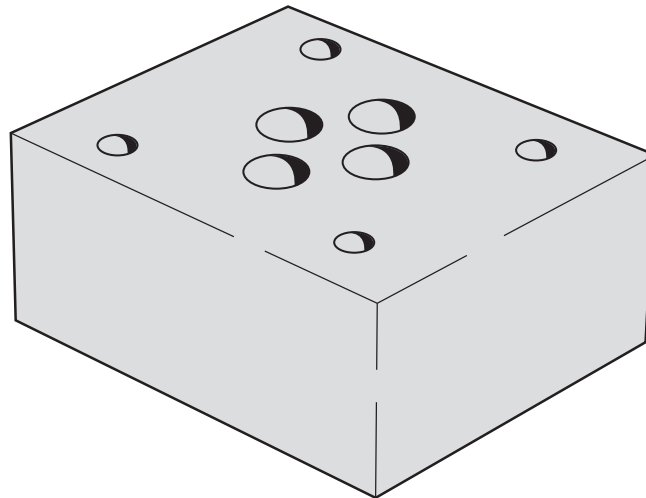
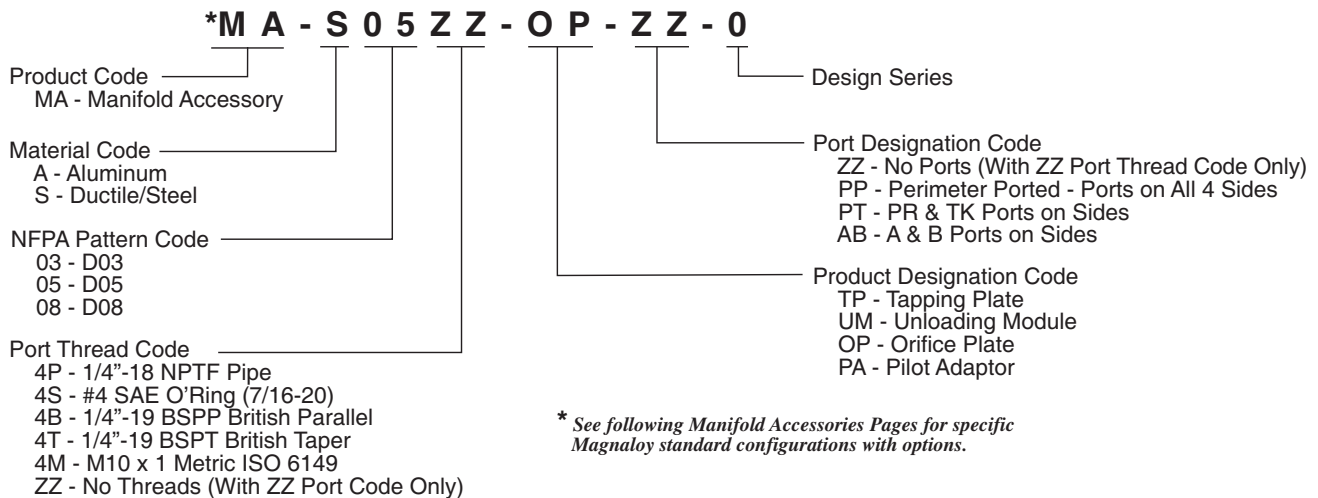


INDEX		Part Number	
Pilot Adaptors		Aluminum	Ductile/Steel
90	For Use with NFPA D05 Valves	MA-A05ZZ-PA-ZZ-0	MA-A05ZZ-PA-ZZ-0
Unloading (Venting) Module		Aluminum	Ductile/Steel
91	For Use with NFPA D05 Valves	MA-A05ZZ-UM-ZZ-0	MA-S05ZZ-UM-ZZ-0
Orifice Plates		Aluminum	Ductile/Steel
92	For Use with NFPA D03 Valves	MA-A03ZZ-OP-ZZ-0	MA-S03ZZ-OP-ZZ-0
93	For Use with NFPA D05 Valves	MA-A05ZZ-OP-ZZ-0	MA-S05ZZ-OP-ZZ-0
Tapping Plates		Aluminum	Ductile/Steel
94	For Use with NFPA D03 Valves	MA-A03__-TP-__-1	MA-S03__-TP-__-1
95	For Use with NFPA D05 Valves	MA-A05__-TP-__-1	MA-S05__-TP-__-1
96	For Use with NFPA D08 Valves	MA-A08__-TP-__-1	MA-S08__-TP-__-1



MAGNALOY MANIFOLD ACCESSORY PART NUMBER BREAKDOWN

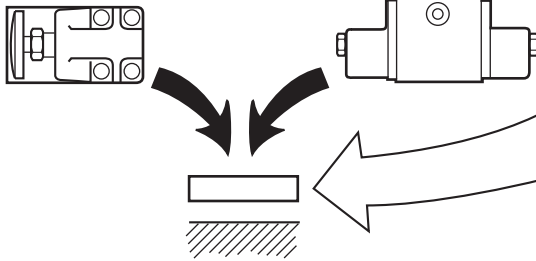
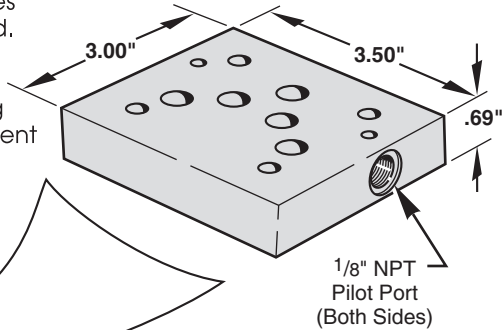


Application:

Allows mounting a Vickers Model DG18 4-01XX-50 air piloted directional control valve on standard subplates and manifolds. 1/8" NPT pilot connections are provided.

or

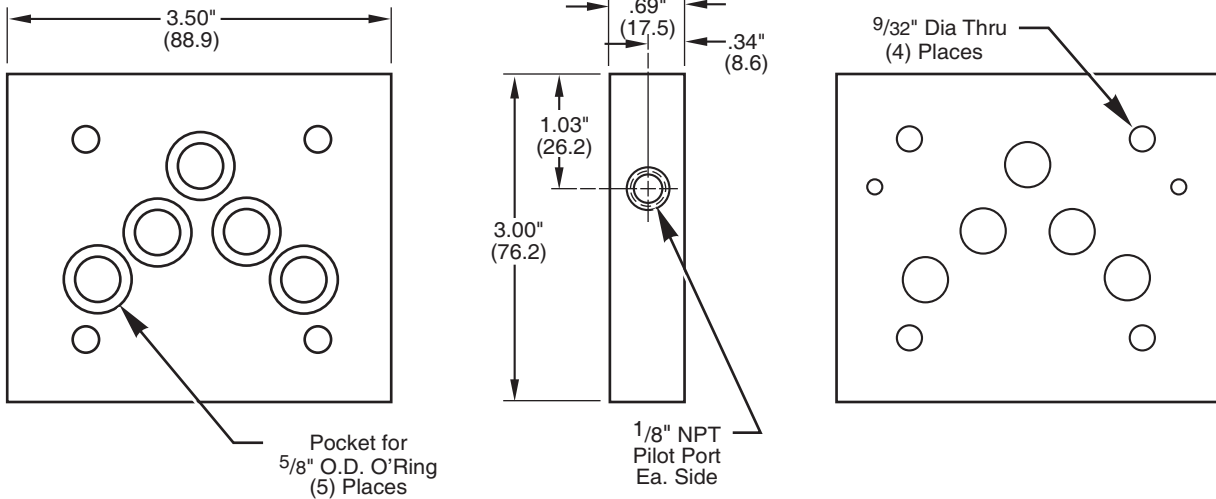
Allows for plumbing of the external drain line of a Vickers Model DGX-01-XX sandwich pressure reducing valve module, thus permitting removal and replacement of the DGX-01-XX without disturbing that connection.



Part Numbers:	
Aluminum	Ductile/Steel
MA-A05ZZ-PA-ZZ-0	MA-S05ZZ-PA-ZZ-0

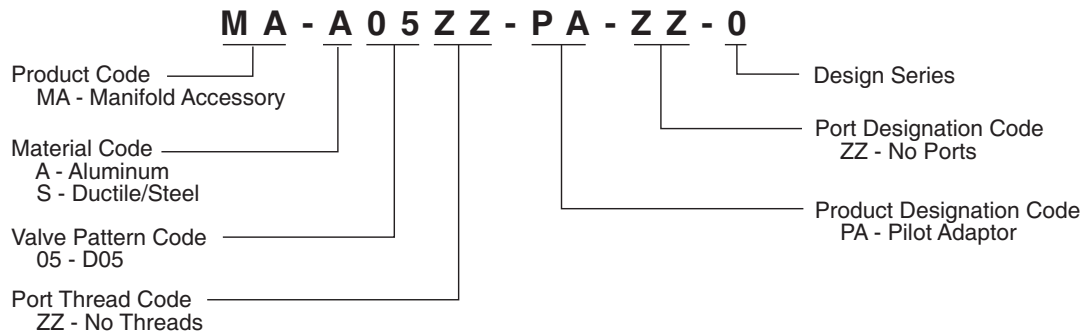
Supplied

O-Rings — Viton (5) 5/8" OD x 1/2" ID x 1/16" CS



3

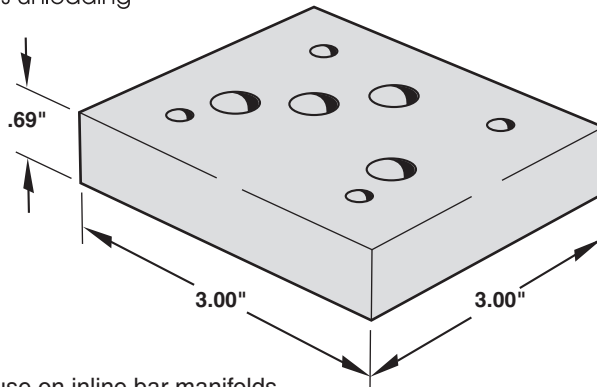
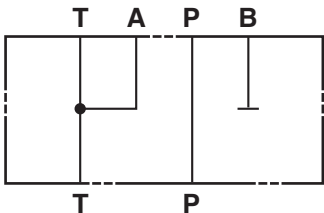
MAGNALOY MANIFOLD ACCESSORY PART NUMBER BREAKDOWN



D05 Unloading Module

Application:

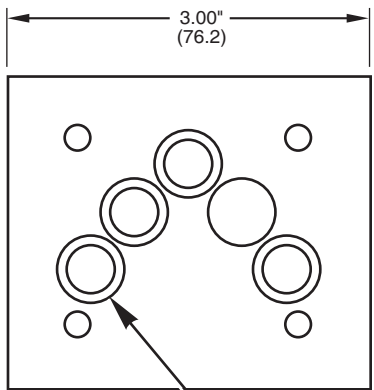
This module allows unloading or venting pump pressure during idle machine cycles. It is mounted between a single solenoid, spring offset directional control valve (NFPA D05 size) and the manifold. When the valve is in the P to A position, this module directs the pump flow back to tank, thus unloading the pump. When the directional control valve is in the P to B position, the B port is blocked and pump flow is directed to other system control valves.



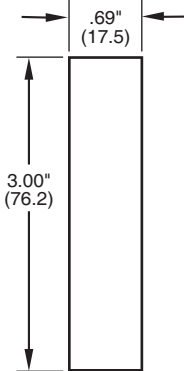
Ideal for use on inline bar manifolds with cartridge relief valve.

Supplied Hardware

O-Rings — Viton (5) 5/8" OD x 1/2" ID x 1/16" CS



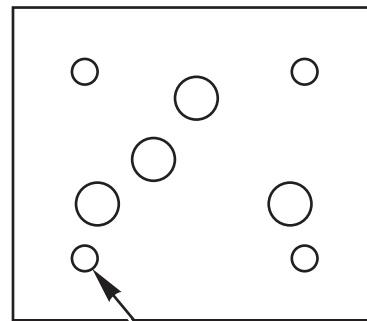
Pocket for 5/8" O.D. O'Ring (5) Places



Part Numbers:

Aluminum	Ductile/Steel
MA-A05ZZ-UM-ZZ-0	MA-S05ZZ-UM-ZZ-0

3



9/32" Dia Thru (4) Places

MAGNALOY MANIFOLD ACCESSORY PART NUMBER BREAKDOWN

