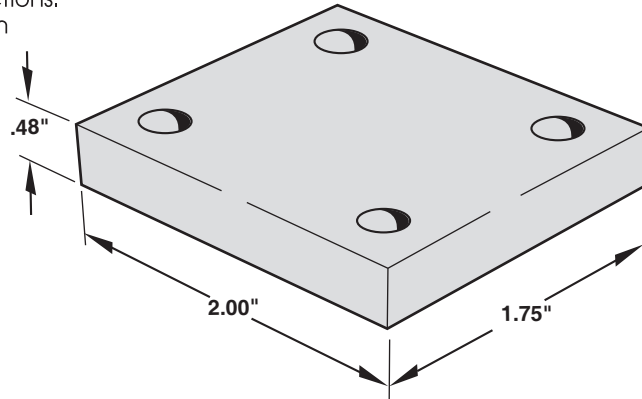
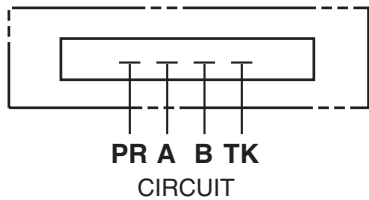


**Applications:**

- To mount between a D03 4-way valve and a mounting surface.
- To provide for customer drilling of holes for orifices in any of the 4 port connections. Any port may be drilled to a maximum of .25" dia or may be left blocked.



**Supplied Hardware**

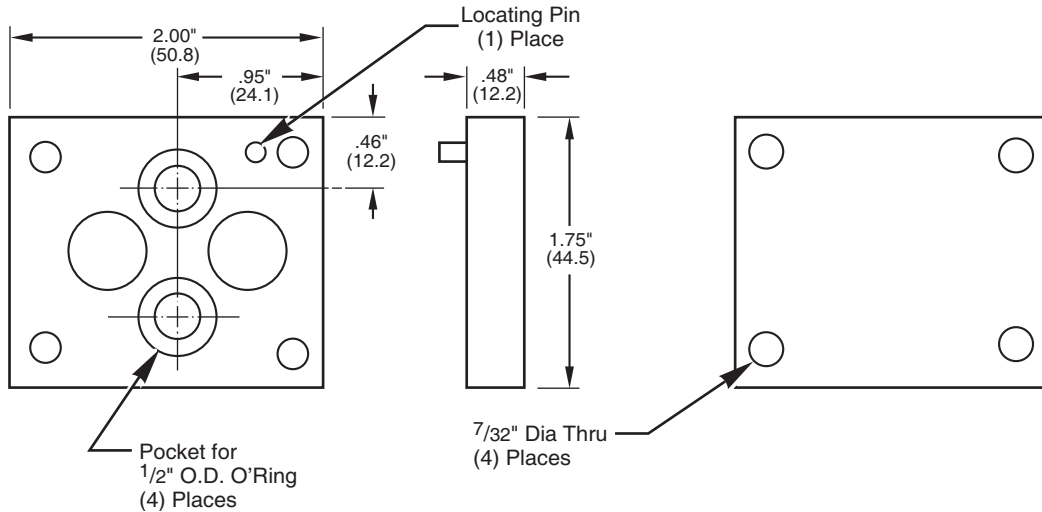
O-Rings — Viton (5) 1/2" OD x 3/8" ID x 1/16" CS  
Locating Pin — (1) 1/8" x 3/8" Roll Pin

**Note:**

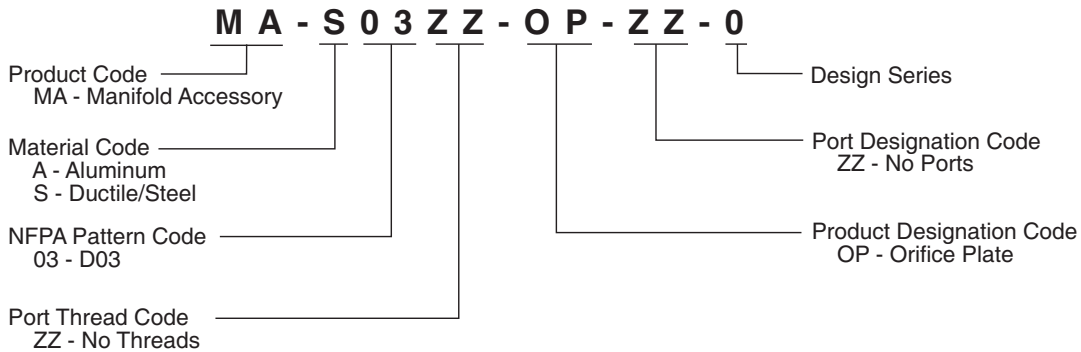
Maximum allowable drill is .25" dia.

**Part Numbers:**

Aluminum	Ductile/Steel
MA-A03ZZ-OP-ZZ-0	MA-S03ZZ-OP-ZZ-0



**MAGNALOY MANIFOLD ACCESSORY PART NUMBER BREAKDOWN**

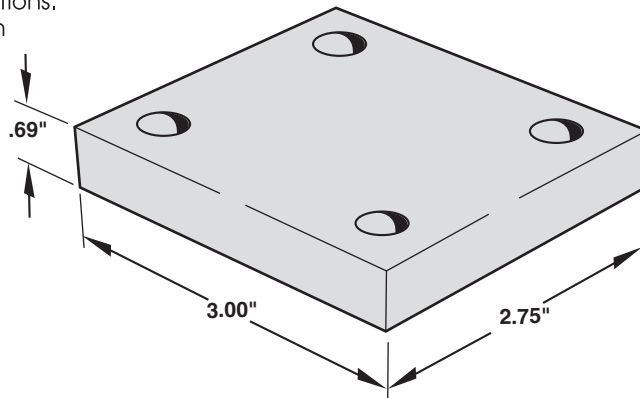
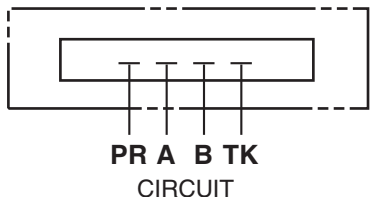


# Manifold Accessories

## D05 Orifice Plate

### Applications:

- To mount between a DO5 4-way valve and a mounting surface.
- To provide for customer drilling of holes for orifices in any of the 5 port connections. Any port may be drilled to a maximum of .438" dia or may be left blocked.



### Supplied Hardware

O-Rings — Viton (5) 5/8" OD x 1/2" ID x 1/16" CS

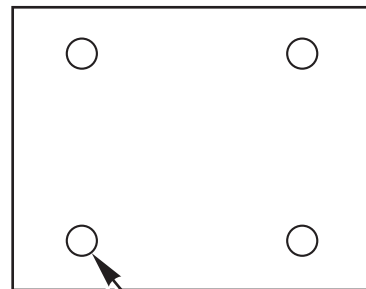
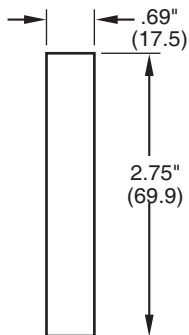
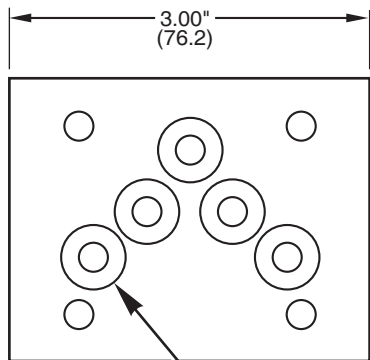
### Note:

Maximum allowable drill is .438" dia.

### Part Numbers:

Aluminum	Ductile/Steel
MA-A05ZZ-OP-ZZ-0	MA-S05ZZ-OP-ZZ-0

3



Pocket for 5/8" O.D. O'Ring (5) Places

9/32" Dia Thru (4) Places

## MAGNALOY MANIFOLD ACCESSORY PART NUMBER BREAKDOWN

