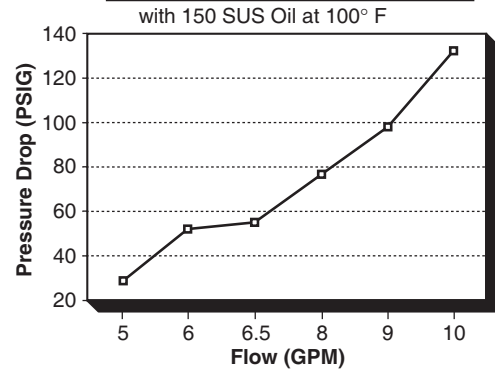


Flow from P to A/B Port



Dimensions

No of Stations	L	E	F
1	2.75" *	2.00"	-
2	4.75"	4.00"	-
3	6.75"	6.00"	-
4	8.75"	8.00"	-
5	10.75"	10.00"	-
6	12.75"	12.00"	-
7	14.75"	14.00"	8.00"
8	16.75"	16.00"	8.00"
9	18.75"	18.00"	8.00"
10	20.75"	20.00"	10.00"
11	22.75"	22.00"	8.00" & 16.00"
12	24.75"	24.00"	8.00" & 16.00"
13	26.75"	26.00"	8.00" & 16.00"
14	28.75"	28.00"	10.00" & 20.00"

Features & Advantages

- * The efficient design provides excellent flow rates with minimal pressure drop.
- * Standard end mount and through holes make mounting easy and flexible. Also, (when requested) mounting bracket kit BK-A03 (no charge) or flange mount kit FK-03 (additional cost) is available with the manifold as alternative mounting styles.
- * Available with SAE, NPTF, BSPP, BSPT or Metric Threads to cover a wide range of applications.
- * Options include relief valve cavity, bottom PR & TK ports, and gauge port to fit specific circuit requirements.

Shaded area - Please consult factory for delivery.

* For Single Station with B, C, S, G, or G6 Options, "L" = 3.75"

MAGNALOY D03 PARALLEL BAR MANIFOLD PART NUMBER BREAKDOWN

B M - A S P 0 3 P 2 - 0 2 - 1 / C

Product Code — BM-Inline Bar Manifold

Material Code —
A - Aluminum
S - Ductile/Steel

Circuit Code — SP - Standard Flow Parallel Circuit

NFPA Pattern Code — 03 - D03

Thread Code —
P - NPTF Pipe
S - SAE O'Ring
B - BSPP British Parallel
T - BSPT British Taper
M - Metric - ISO 6149
(See Port Size Chart for Standard Port Sizes)

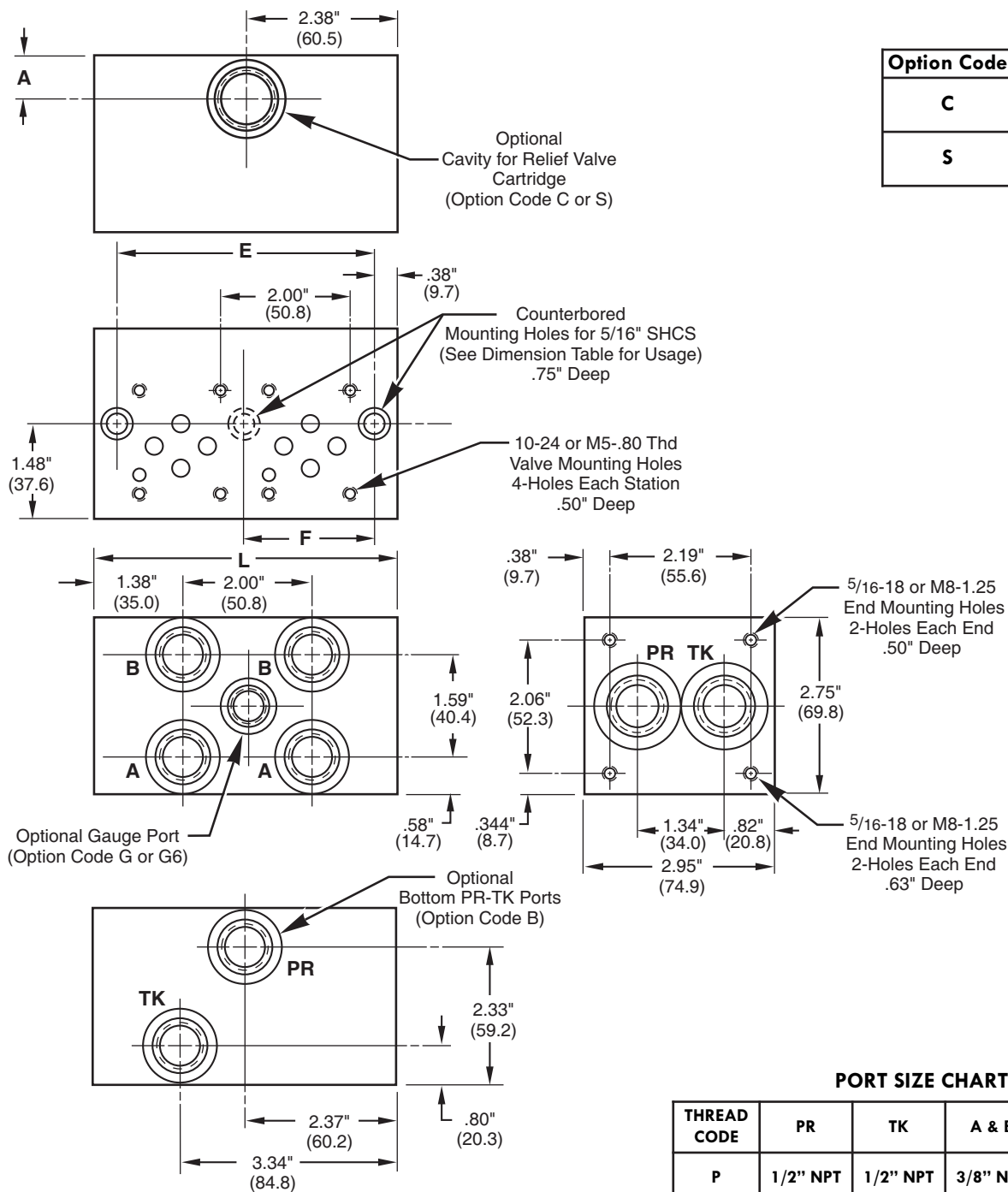
Options
Z - No Option
B - Bottom PR-TK Ports
C - Relief Valve Cavity C-10-2
G - Gauge Port #4 SAE or 1/4" NPTF
G6 - Gauge Port #6 SAE
S - Relief Valve Cavity Sun T-10A
H - Hard Metric Threading *(See Note 2, page 34)*
M - Soft Metric Threading *(See Note 3, page 34)*
I - Isolation Plug¹ - List as last option designated *(See Note 1, page 34)*
Note: For more than two combined options, please consult factory.

Design Series
Number of Valve Stations
01 - 1 stations
02 - 2 stations
etc.

Valve Spacing Code
2 - 2.00"
4 - 4.00"
(For Special Spacing requirements, please consult factory.)

Inline Bar Manifold

D03 Standard Flow Bar Manifold - Parallel

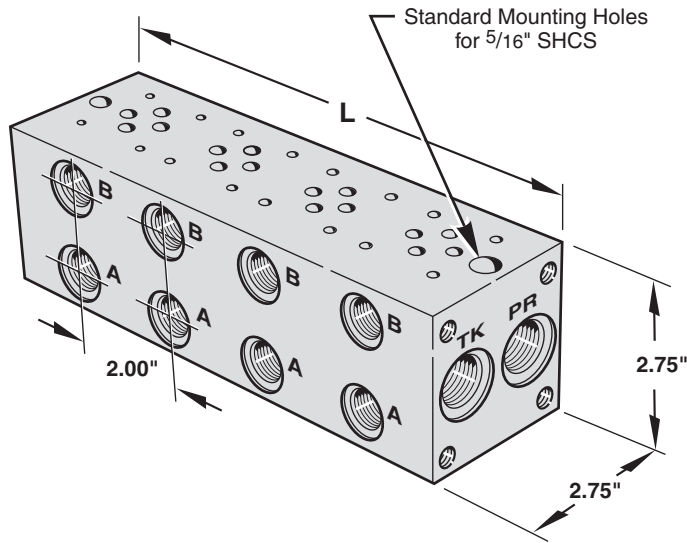


Option Code	A
C	.69" (17.5)
S	.81" (20.6)

NOTE: For End Mounting Bracket Kit (BK-A03) and Mounting Flange Kit (FK-A03) dimensions, see Reference Section, page 174.

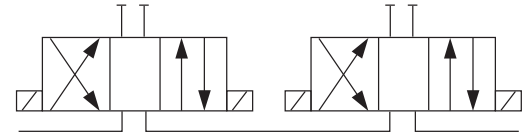
PORT SIZE CHART

THREAD CODE	PR	TK	A & B	OPTIONAL GAUGE PORTS
P	1/2" NPT	1/2" NPT	3/8" NPT	1/4" NPT
S	#10 SAE	#10 SAE	#8 SAE	#4 SAE G6 - #6 SAE
B	1/2" BSPP	1/2" BSPP	3/8" BSPP	-
T	1/2" BSPT	1/2" BSPT	3/8" BSPT	-
M	M22	M22	M18	-

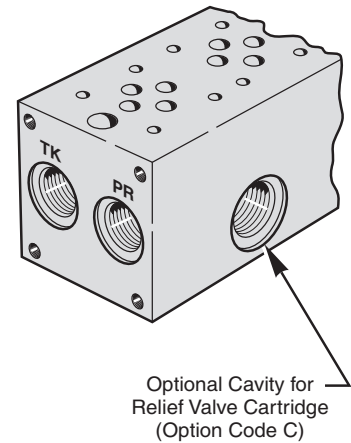
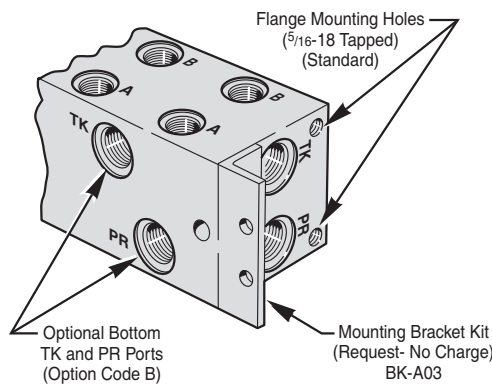
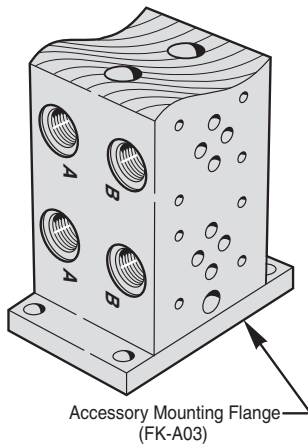


FEATURES AND ADVANTAGES

- * Available with SAE, NPT, BSPP, BSPT or Metric Threads to cover a wide range of applications.
- * Adequate clearance for 5/8" tube fittings.
- * Mounting bolt spacing allows standardized mounting pads.
- * Tank and pressure lines may be connected at either end.



3



MAGNALOY D03 SERIES BAR MANIFOLD PART NUMBER BREAKDOWN

B M - A S S 0 3 S 2 - 0 1 - 0 / B

Product Code
BM-Inline Bar Manifold

Material Code
A - Aluminum
S - Steel

Circuit Code
SS - Series Circuit

NFPA Pattern Code
03 - D03

Thread Code
P - NPTF Pipe
S - SAE O'Ring
B - BSPP British Parallel
T - BSPT British Taper
M - Metric ISO 6149
(See Port Size Chart for Standard Port Sizes)

Options

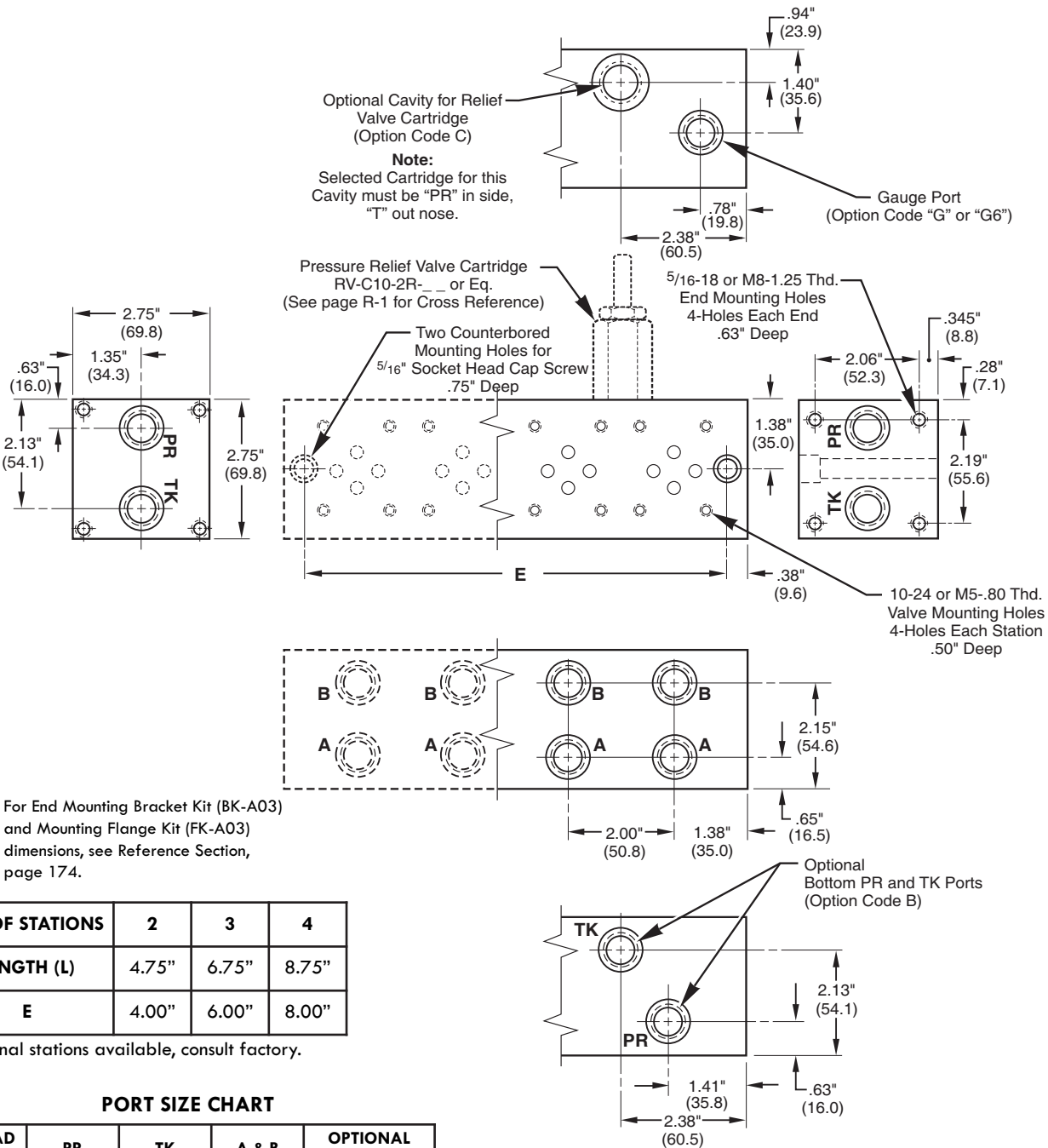
- Z - No Option
- B - Bottom PR-TK Ports
- C - Relief Valve Cavity C-10-2
- G - Gauge Port #4 SAE or 1/4" NPTF
- G6 - Gauge Port #6 SAE
- H - Hard Metric Threading (See Note 2, page 34)
- M - Soft Metric Threading (See Note 3, page 34)

Design Series

Number of Valve Stations
02 - 2 stations
03 - 3 stations
etc.

Valve Spacing Code
2 - 2.00"

Inline Bar Manifold D03 Bar Manifold - Series



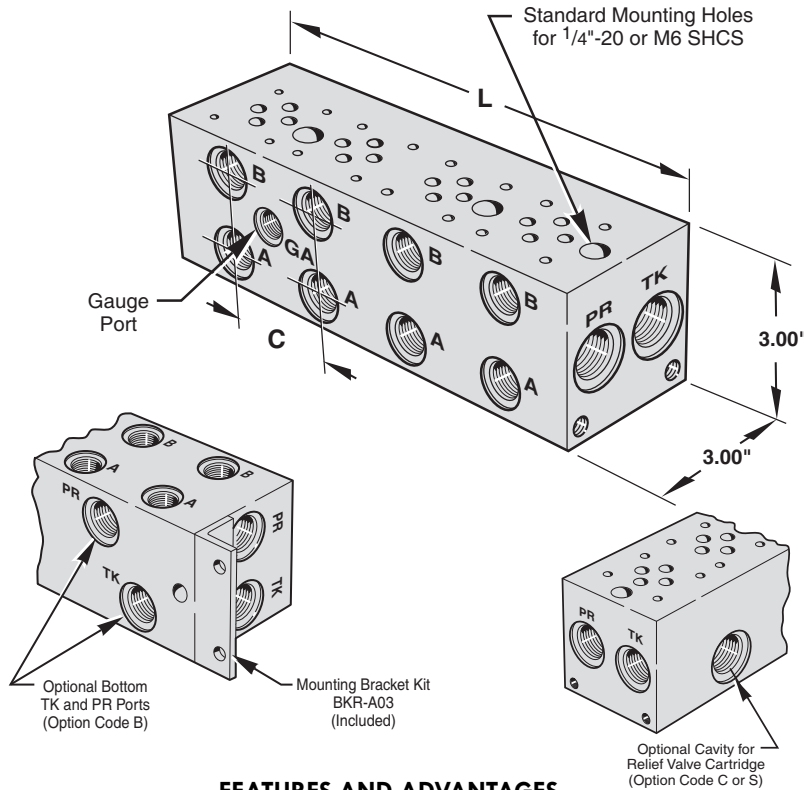
NOTE: For End Mounting Bracket Kit (BK-A03) and Mounting Flange Kit (FK-A03) dimensions, see Reference Section, page 174.

NO. OF STATIONS	2	3	4
LENGTH (L)	4.75"	6.75"	8.75"
E	4.00"	6.00"	8.00"

Additional stations available, consult factory.

PORT SIZE CHART

THREAD CODE	PR	TK	A & B	OPTIONAL GAUGE PORTS
P	1/2" NPT	1/2" NPT	3/8" NPT	1/4" NPT
S	#8 SAE	#8 SAE	#8 SAE	#4 SAE G6 - #6 SAE
B	1/2" BSPP	1/2" BSPP	3/8" BSPP	-
T	1/2" BSPT	1/2" BSPT	3/8" BSPT	-
M	M18	M18	M18	-



FEATURES AND ADVANTAGES

- * Available with SAE, NPT, BSPP, BSPT or Metric Threads to cover a wide range of applications.
- * 2 1/8" or 4" valve center options allow the manifold to be sized for specific D03 valve types.
- * Adequate clearance for 5/8" tube fittings.
- * Mounting bolt spacing allows standardized mounting pads.
- * Tank and pressure lines may be connected at either end.
- * Standard Gauge Port is 1/4" NPT with "P" Code and #6 SAE with "S" Code (#4 SEA available with G4 Option.)

DIMENSIONS (2.13" VALVE SPACING)

NO. OF STATIONS	C	L	E	F
1 ¹	--	2.13"	N.A.	--
1 ²	--	3.00"	N.A.	--
2	2.13"	4.25"	2.13"	--
3	2.13"	6.38"	4.25"	--
4	2.13"	8.50"	6.38"	--
5	2.13"	10.63"	8.50"	4.25"
6	2.13"	12.75"	10.63"	4.25"
7	2.13"	14.88"	12.75"	4.25"X 2
8	2.13"	17.00"	14.88"	4.25"X 2
9	2.13"	19.38"	17.00"	6.38"X 2
10	2.13"	21.25"	19.38"	6.38"X 2
11	2.13"	23.38"	21.25"	6.38"X 2
12	2.13"	25.50"	23.38"	6.38"X 3
13	2.13"	27.63"	25.50"	6.38"X 2
14	2.13"	29.75"	27.63"	6.38"X 3

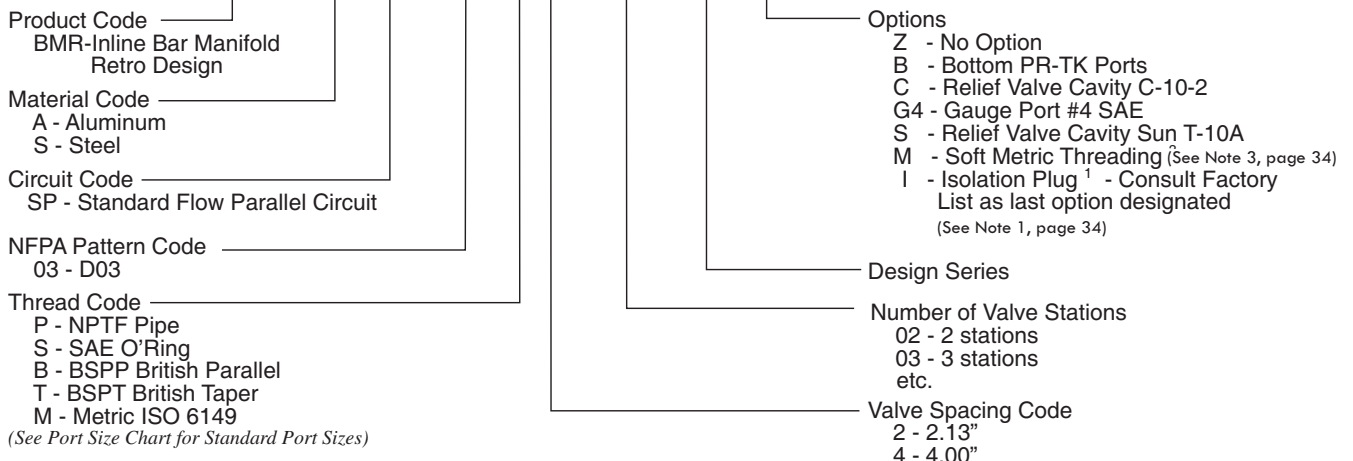
NOTE: 1 - Single Station - No Gauge Port
 2 - Single Station with C or S Option, includes Gauge Port

DIMENSIONS (4.00" VALVE SPACING)

NO. OF STATIONS	C	L	E	F
2	4.00"	6.13"	4.00"	
3	4.00"	10.13"	8.00"	
4	4.00"	14.13"	12.00"	8.00"
5	4.00"	18.13"	16.00"	8.00"
6	4.00"	22.13"	20.00"	8.00" X 2
7	4.00"	26.13"	24.00"	8.00" X 2

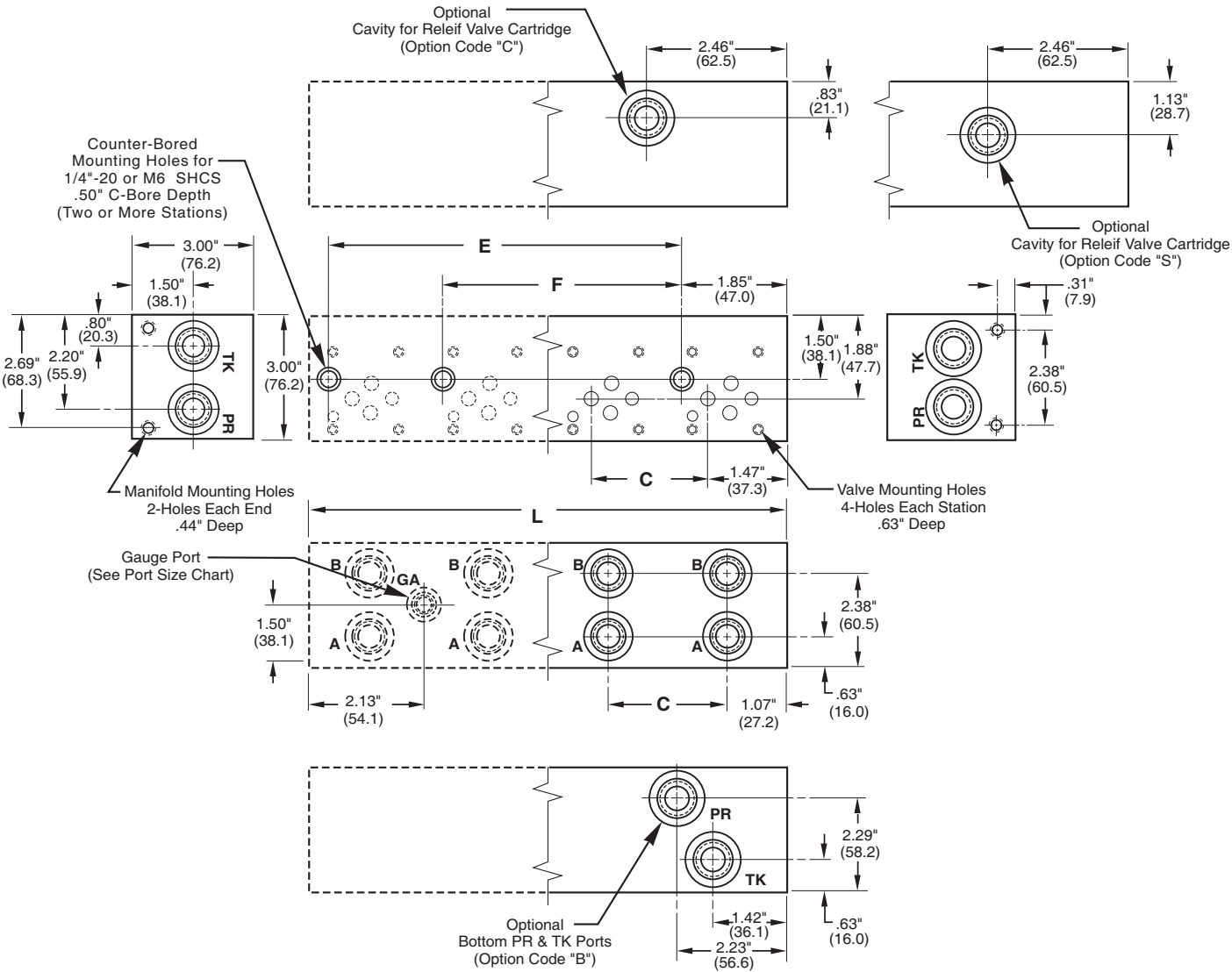
MAGNALOY D03 PARALLEL BAR MANIFOLD PART NUMBER BREAKDOWN

B M R - A S P 0 3 S 2 - 0 1 - 1 / B



Inline Bar Manifold

D03 Retro Design Bar Manifold - Parallel

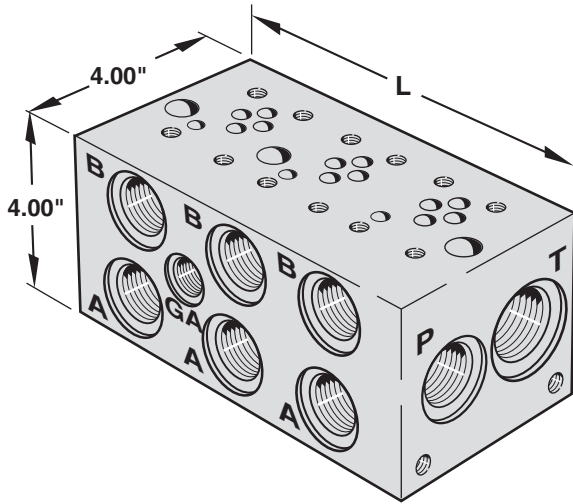


3

PORT SIZE CHART

THREAD CODE	PR	TK	A & B	OPTIONAL GAUGE PORTS	MOUNTING HOLES	
					VALVE	MANIFOLD
P	1/2" NPT	1/2" NPT	3/8" NPT	1/4" NPT	10 - 24 UNC	5/16 - 18 UNC
S	#10 SAE	#10 SAE	#8 SAE	#4 SAE G6 - #6 SAE	10 - 24 UNC	5/16 - 18 UNC
B	1/2" BSPP	1/2" BSPP	3/8" BSPP	-	M5 - .8	M8 - 1.25
T	1/2" BSPT	1/2" BSPT	3/8" BSPT	-	M5 - .8	M8 - 1.25
M	M22	M22	M18	-	M5 - .8	M8 - 1.25

NOTE: For End Mounting Bracket Kit (BKR-A03) dimensions, see Reference Section, page 174.



Features & Advantages

- + The higher flow design provides maximum flow rates with minimal pressure drops.
- + 2 1/8" or 4" valve center options allow the manifold to be sized for specific D03 valve types.
- + Standard end mount and through holes make mounting easy and flexible. Also, a mounting bracket kit BKR-AH03 is supplied with the manifold as an alternative mounting style.
- + Available with SAE, NPT, BSPP, BSPT or Metric Threads to cover a wide range of applications.
- + Options include relief valve cavity, bottom PR & TK ports, and gauge ports to fit specific circuit requirements.

Dimensions (2.13" Valve Spacing)

No. of Stations	C	L	E	F
1 ¹	--	3.13"	2.38"	-
1 ²	--	4.00"	3.50"	-
2	2.13"	5.25"	4.50"	-
3	2.13"	7.38"	6.63"	-
4	2.13"	9.50"	8.75"	-
5	2.13"	11.63"	10.88"	6.50"
6	2.13"	13.75"	13.00"	6.50"
7	2.13"	15.88"	15.13"	6.50"
8	2.13"	18.00"	17.25"	8.63"
9	2.13"	20.38"	19.38"	8.63"
10	2.13"	22.25"	21.50"	10.75"
11	2.13"	24.38"	23.63"	8.63" & 17.13"
12	2.13"	26.50"	25.75"	8.63" & 17.13"

Note: 1 - Single Station - No Gauge Port

2 - Single Station with C or S Option, includes Gauge Port.

Dimensions (4.00" Valve Spacing)

No. of Stations	C	L	E	F
2	4.00"	7.13"	6.38"	-
3	4.00"	11.13"	10.38"	-
4	4.00"	15.13"	14.38"	7.18"
5	4.00"	19.13"	18.38"	7.18"
6	4.00"	23.13"	22.38"	11.18"
7	4.00"	27.13"	26.38"	11.18"
8	4.00"	31.13"	30.38"	11.18" & 23.18"

MAGNALOY D03 PARALLEL BAR MANIFOLD PART NUMBER BREAKDOWN

B M R - S H P 0 3 S 2 - 0 2 - 1 / B

Product Code _____
BMR-Inline Bar Manifold
Retro Design

Material Code _____
A - Aluminum
S - Ductile/Steel

Circuit Code _____
HP- High Flow Parallel Circuit

NFPA Pattern Code _____
03 - D03

Thread Code _____
P - NPTF Pipe
S - SAE O'Ring
B - BSPP British Parallel
T - BSPT British Taper
M - Metric ISO 6149

(See Port Chart for Standard Port Sizes)

Options

- Z - No Option
- B - Bottom PR-TK Ports (2 or more Stations)
- C - Relief Valve Cavity C-16-2
- G4 - Gauge Port #4 SAE
- S - Relief Valve Cavity Sun T-3A
- M - Soft Metric Threading (See Note 3, page 34)
- I - Isolation Plug ¹ - List as last option designated

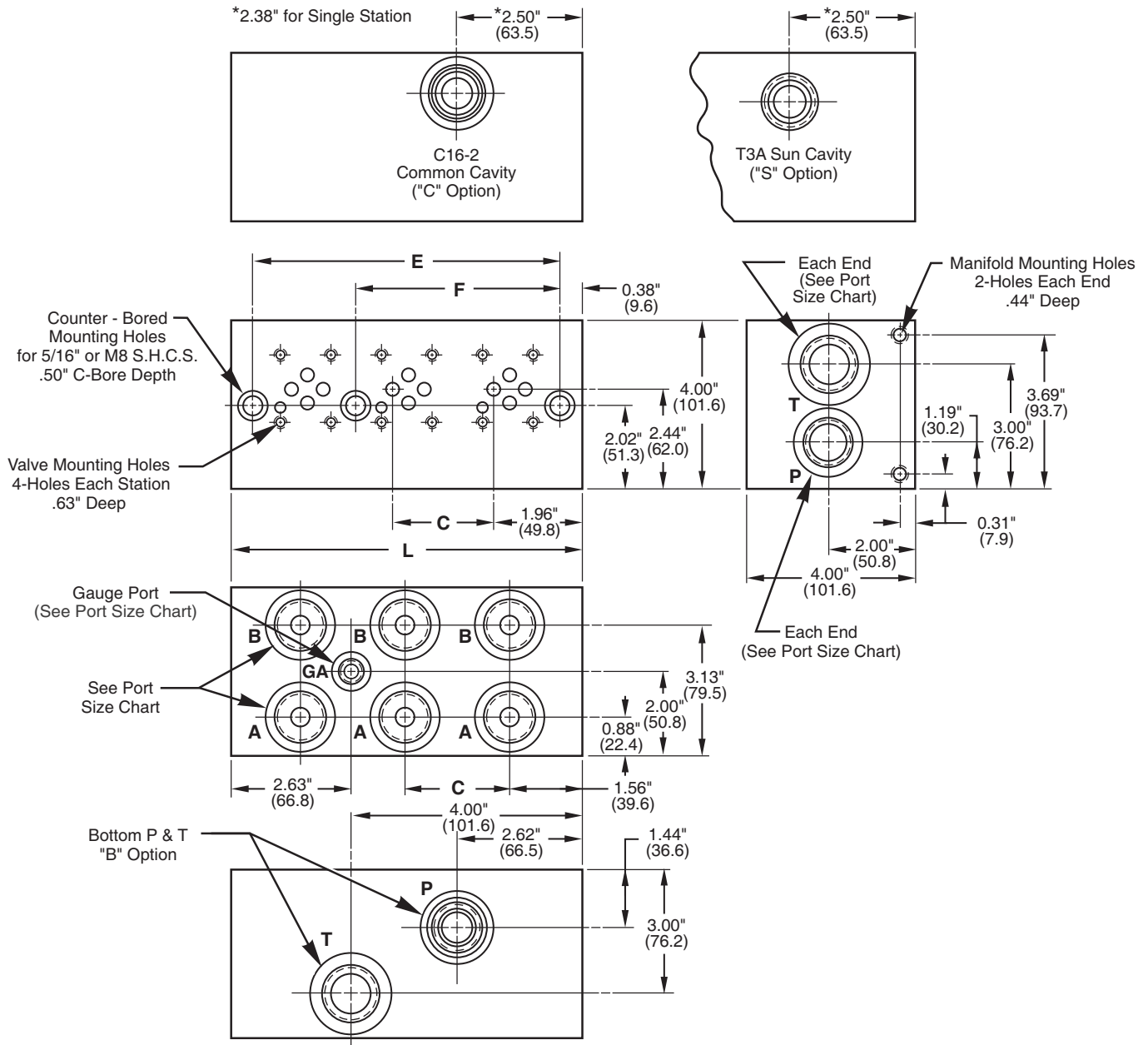
(See Note 1, page 34)

Design Series

- Number of Valve Stations
- 01 - 1 station
- 02 - 2 stations
- etc.

- Valve Spacing Code
- 2 - 2.13"
- 4 - 4.00"

Inline Bar Manifold D03 High Flow Retro Design Bar Manifold - Parallel



3

Port Size Chart

Thread Code	PR	TK	A & B	Gauge Ports	Mounting Holes	
					Valve	Manifold
P	3/4" NPT	1" NPT	3/4" NPT	1/4" NPT	10-24 UNC	5/16-18 UNC
S	#12 SAE	#16 SAE	#12 SAE	G4 - #4 SAE #6 SAE	10-24 UNC	5/16-18 UNC
B	3/4" BSPP	1" BSPP	3/4" BSPP	-	M5x.8	M8x1.25
T	3/4" BSPT	1" BSPT	3/4" BSPT	-	M5x.8	M8x1.25
M	M27x2	M33x2	M27x2	-	M5x.8	M8x1.25

Note: For **Mounting Bracket Kit (BKR-AH03)** dimensions, see Reference Section, page 174.