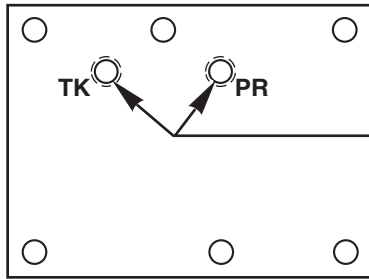
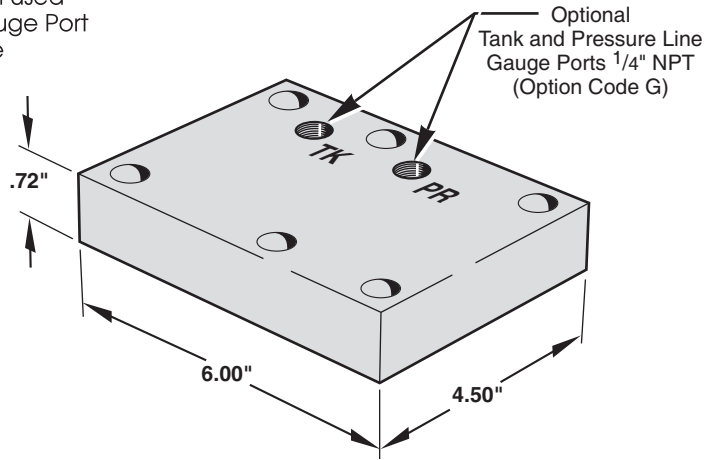
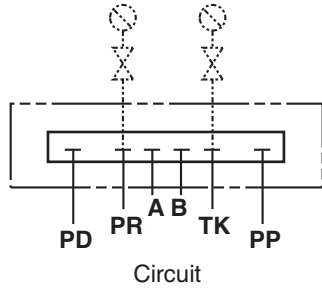


Application:

Seals and isolates all valve ports when used as substitute for directional valve. Gauge Port option provides pressure and tank line signal ports.



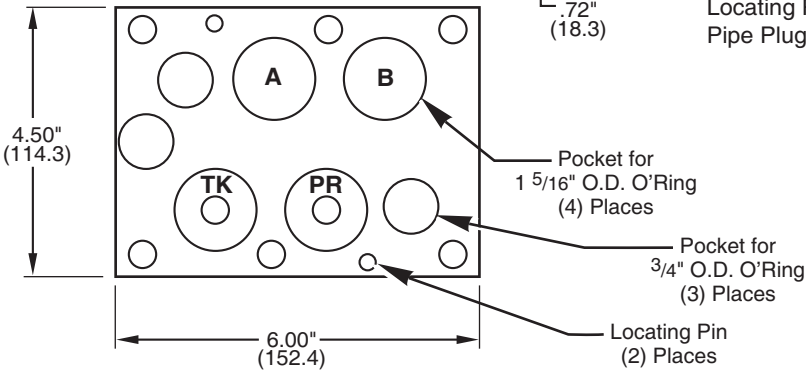
Optional Gauge Ports (Option Code G)

Part Numbers:	
Aluminum	Ductile/Steel
CP-ASP08_-1/Z	CP-SSP08_-1/Z
CP-ASP08_-1/G	CP-SSP08_-1/G

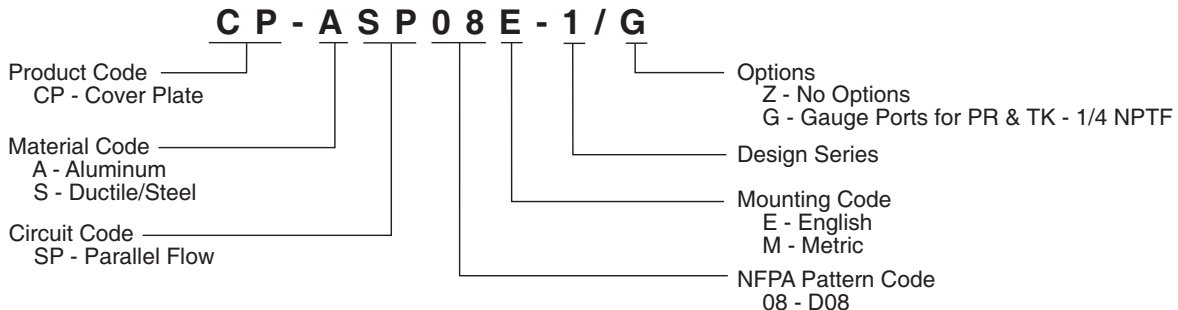
Supplied Hardware

- Mounting Bolts — (6) M12-1.75 x 38mm S.H.C.S. (M - Mtg.Code)
- Mounting Bolts — (6) 1/2-13 x 1 1/2" S.H.C.S. (E - Mtg.Code)
- O-Rings — Viton (3) 3/4" OD x 1/2" ID x 1/8" CS
- O-Rings — Viton (4) 1 5/16" OD x 1 1/16" ID x 1/8" CS
- Locating Pin — (2) 1/4" Dia. x 1/2" Roll Pin
- Pipe Plugs — (2) 1/4" NPT Level Seal

Note: (With Gauge Option)
Level Seal Pipe Plugs are furnished to plug unused gauge ports.



MAGNALOY D08 COVER PLATE PART NUMBER BREAKDOWN



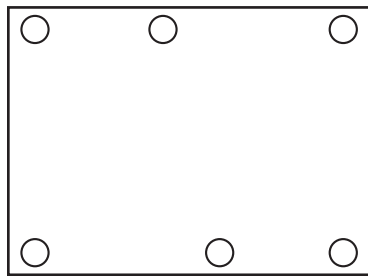
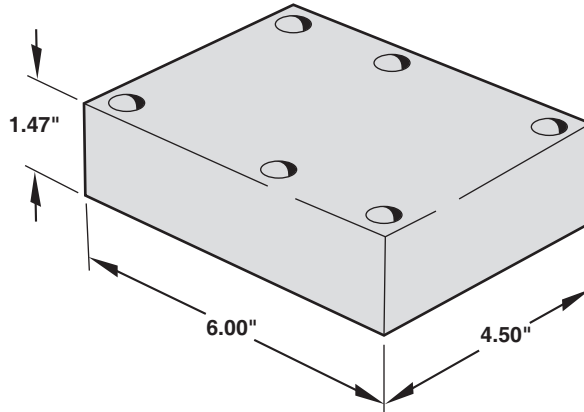
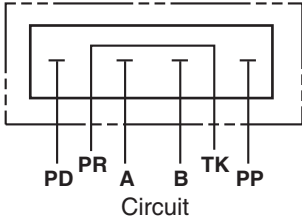
Cover Plate

D08 Cover Plate, Series Blank Off



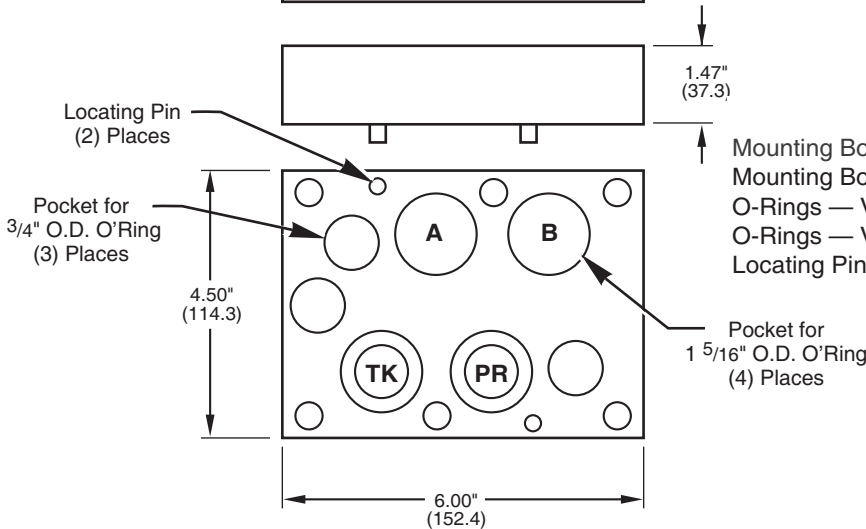
Application:

Seals all valve ports and provides the pressure port common to tank port when used as a flush out plate or as a substitute for directional valve in a series circuit.



Part Numbers:	
Aluminum	Ductile/Steel
CP-ASS08_-1/Z	CP-SSS08_-1/Z

3



Supplied Hardware

- Mounting Bolts — (6) M12-1.75 x 57mm S.H.C.S. (M - Mtg.Code)
- Mounting Bolts — (6) 1/2-13 x 2 1/4" S.H.C.S. (E - Mtg.Code)
- O-Rings — Viton (3) 3/4" OD x 1/2" ID x 1/8" CS
- O-Rings — Viton (4) 1 5/16" OD x 1 1/16" ID x 1/8" CS
- Locating Pin — (2) 1/4" Dia. x 1/2" Roll Pin

MAGNALOY D08 COVER PLATE PART NUMBER BREAKDOWN

