

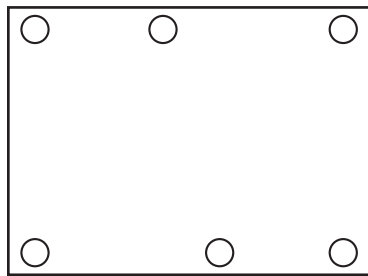
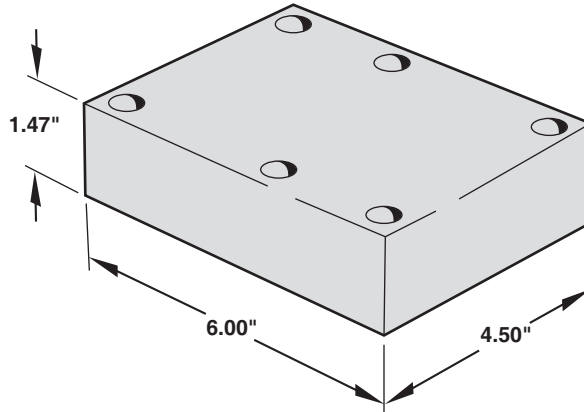
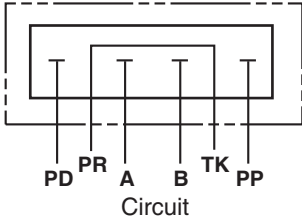
Cover Plate

D08 Cover Plate, Series Blank Off



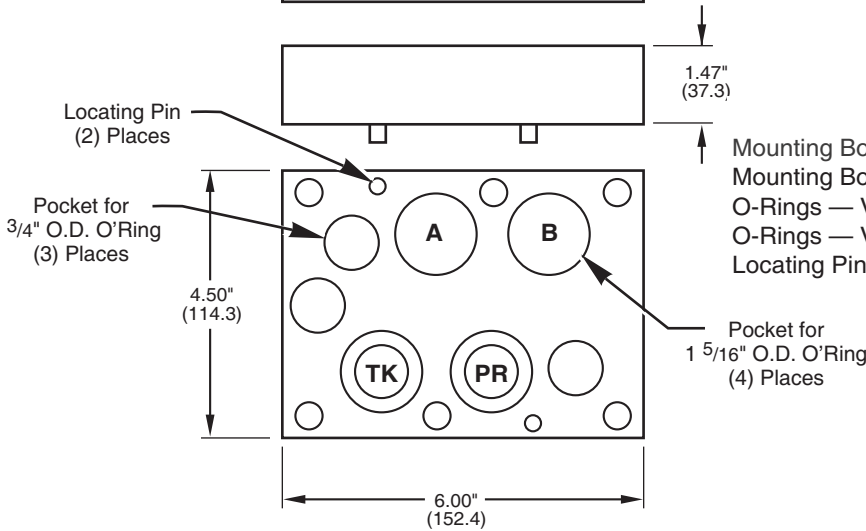
Application:

Seals all valve ports and provides the pressure port common to tank port when used as a flush out plate or as a substitute for directional valve in a series circuit.



Part Numbers:	
Aluminum	Ductile/Steel
CP-ASS08_-1/Z	CP-SSS08_-1/Z

3



Supplied Hardware

- Mounting Bolts — (6) M12-1.75 x 57mm S.H.C.S. (M - Mtg.Code)
- Mounting Bolts — (6) 1/2-13 x 2 1/4" S.H.C.S. (E - Mtg.Code)
- O-Rings — Viton (3) 3/4" OD x 1/2" ID x 1/8" CS
- O-Rings — Viton (4) 1 5/16" OD x 1 1/16" ID x 1/8" CS
- Locating Pin — (2) 1/4" Dia. x 1/2" Roll Pin

MAGNALOY D08 COVER PLATE PART NUMBER BREAKDOWN

