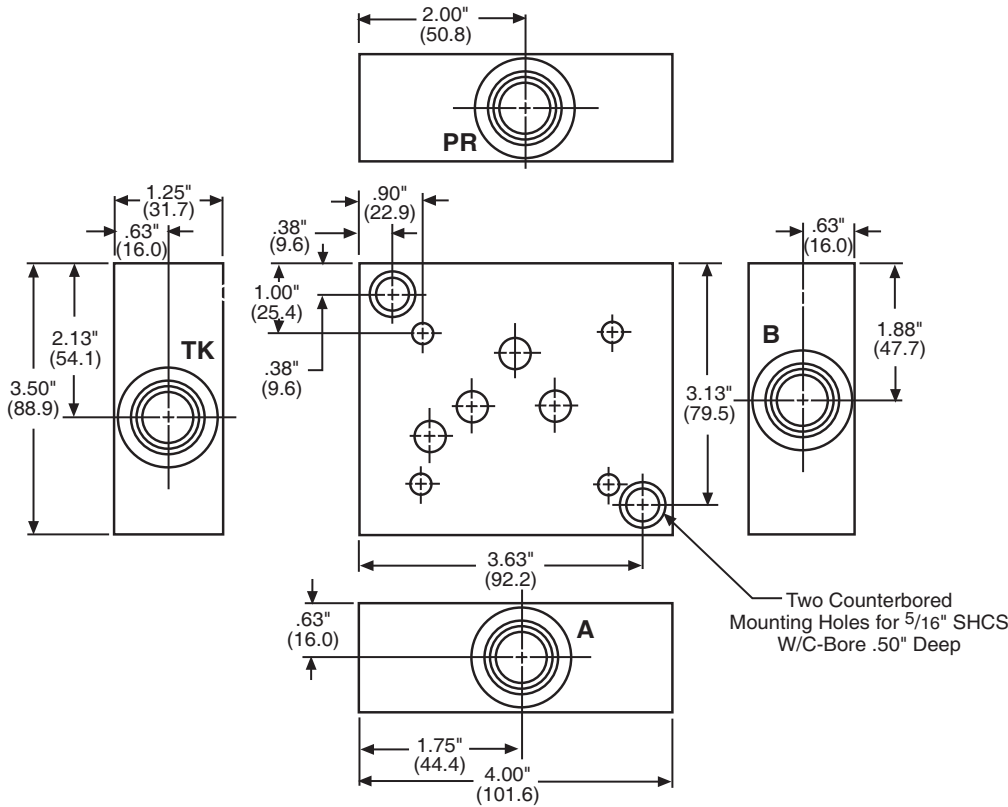
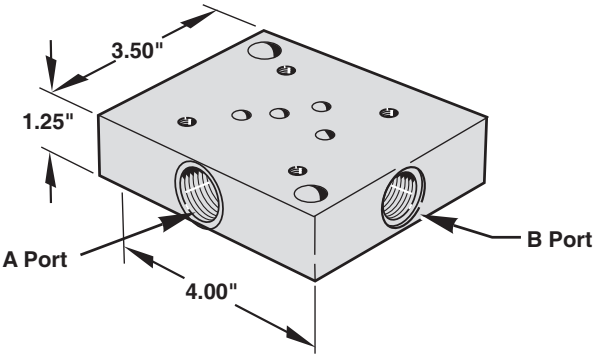


Super Saver Subplates
D05 - Perimeter Ported

Application:

Subplate used for mounting directional valve with NFPA D05 Interface.

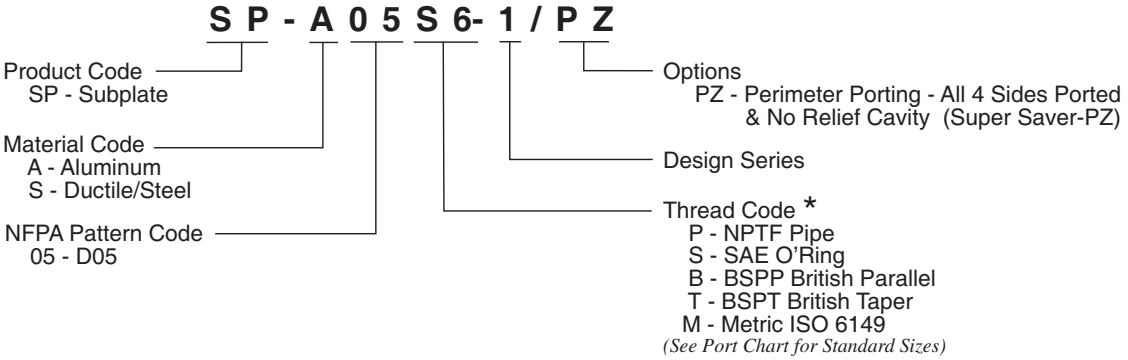
A, B, PR & TK ports on 4 separate sides.



Thread Code	PR, TK, A & B
P6	3/8" NPT
S6	#6 SAE
B6	3/8" BSPP
T6	3/8" BSPT
M6	M14 x 1.5
P8	1/2" NPT
S8	#8 SAE
B8	1/2" BSPP
T8	1/2" BSPT
M8	M18 x 1.5

3

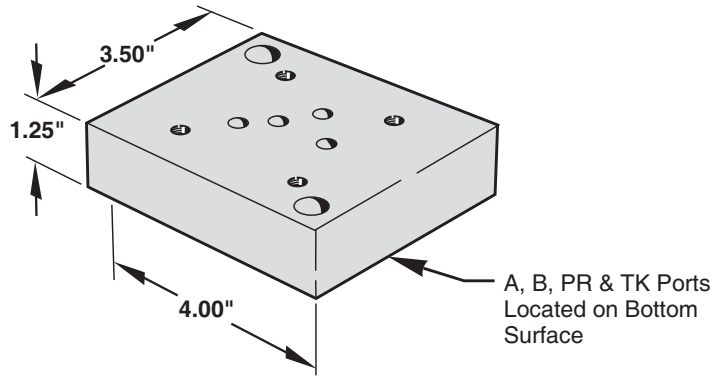
MAGNALOY D05 SUPER SAVER SUBPLATE PART NUMBER BREAKDOWN



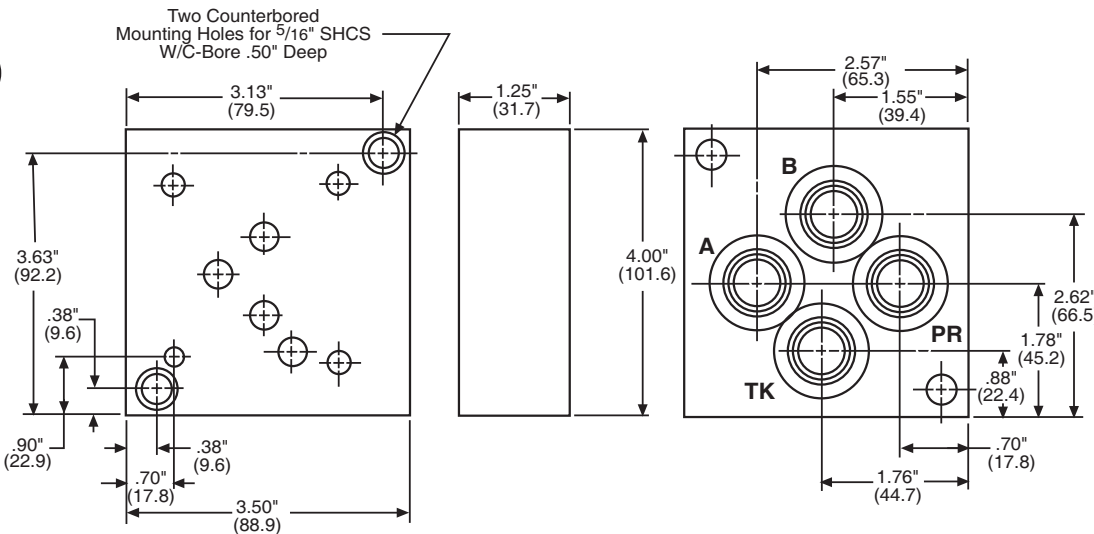
Application:

Subplate used for mounting directional valve with NFPA D05 Interface.

A, B, PR & TK ports on bottom surface.

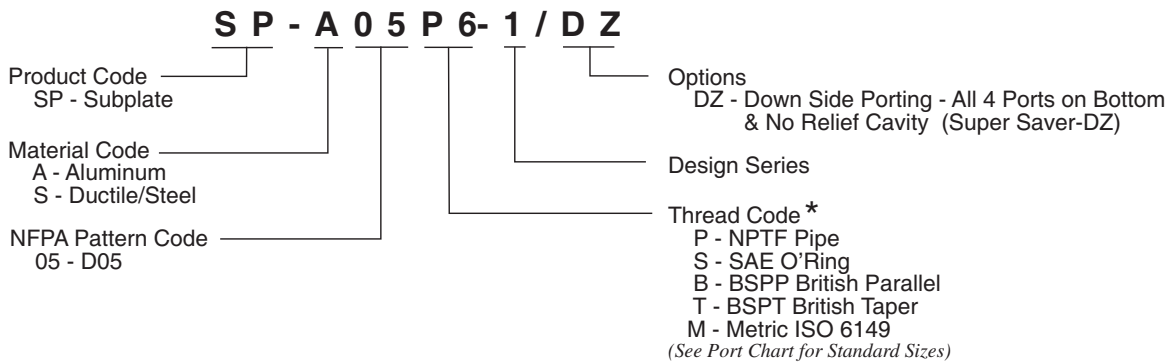


3



Thread Code	PR, TK, A & B
P6	3/8" NPT
S6	#6 SAE
B6	3/8" BSPP
T6	3/8" BSPT
M6	M14 x 1.5
P8	1/2" NPT
S8	#8 SAE
B8	1/2" BSPP
T8	1/2" BSPT
M8	M18 x 1.5

MAGNALOY D05 SUPER SAVER SUBPLATE PART NUMBER BREAKDOWN

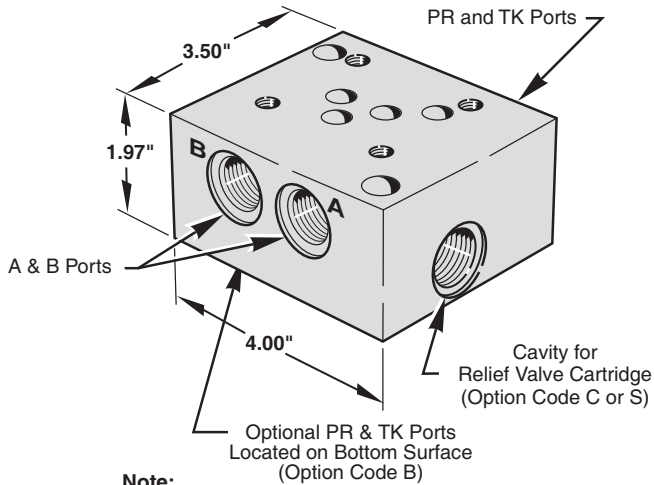


Application:

Subplate used for mounting directional valve with NFPA D05 Interface.

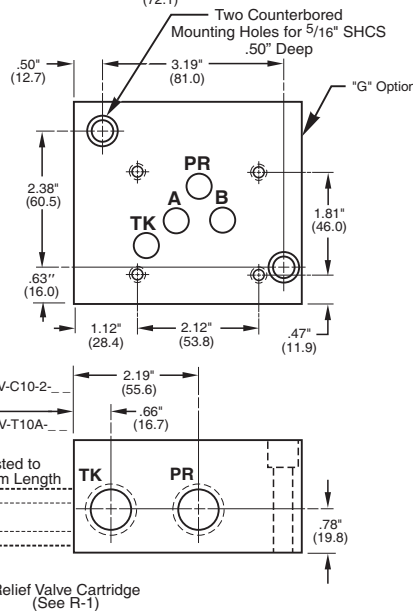
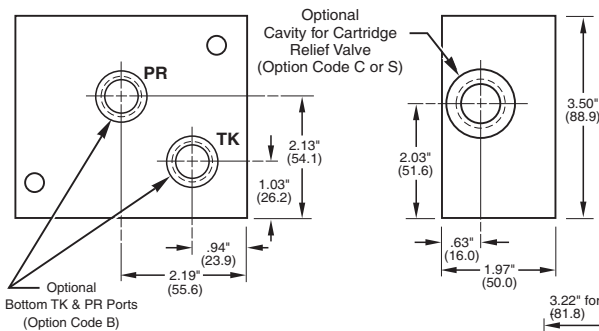
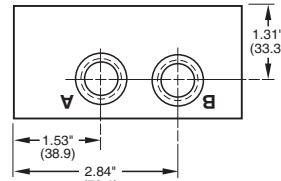
A & B ports on a common side, PR & TK ports on opposite side.

Optional features include cartridge relief valve cavity with the tank and pressure connections on the bottom surface to allow plumbing directly through the reservoir top.



Note:

Part no. includes the subplate only. Order relief valve cartridge separately.



* Thread Code	PR, TK, A & B
P6	3/8" NPT
S6	#6 SAE
B6	3/8" BSPP
T6	3/8" BSPT
M6	M14 x 1.5
P8	1/2" NPT
S8	#8 SAE
B8	1/2" BSPP
T8	1/2" BSPT
M8	M18 x 1.5

MAGNALOY D05 SUBPLATE PART NUMBER BREAKDOWN

S P - A 0 5 P 6 - 1 / B Z

Product Code
SP - Subplate

Material Code
A - Aluminum
S - Ductile/Steel

NFPA Pattern Code
05 - D05

Thread Code
P - NPTF Pipe
S - SAE O'Ring
B - BSPP British Parallel
T - BSPT British Taper
M - Metric ISO 6149
(See Port Chart for Standard Sizes)

Options

- Z - No Relief Cavity
 - B - Bottom PR-TK Ports (W/Side PR & TK)
 - C - Relief Valve Cavity C-10-2
 - G - Gauge Port #4 SAE or 1/4 NPTF
 - S - Relief Valve Cavity Sun T-10A
 - H - Hard Metric Threading (See Note 2, page 34)
 - M - Soft Metric Threading (See Note 3, page 34)
- Note: For more than two combined options, consult factory.

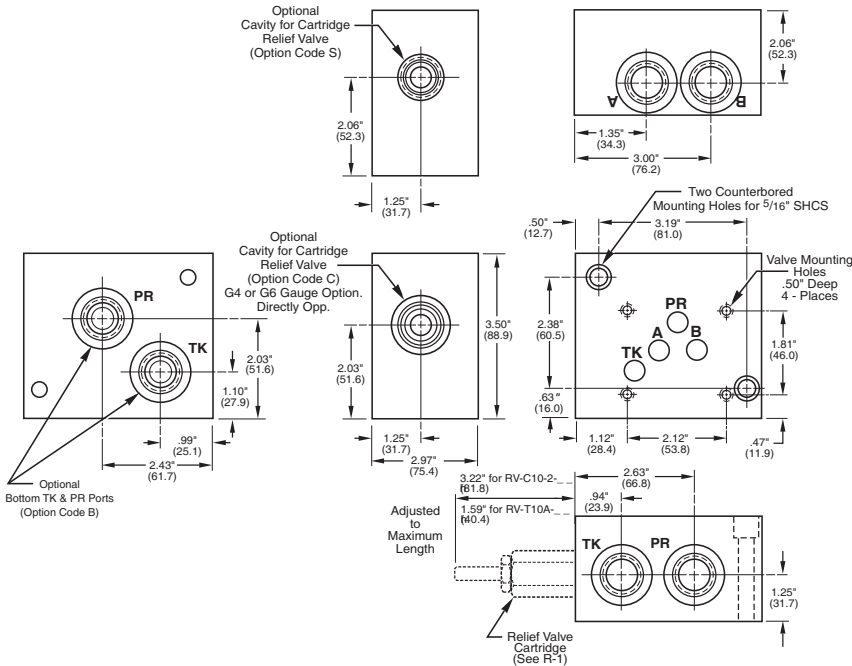
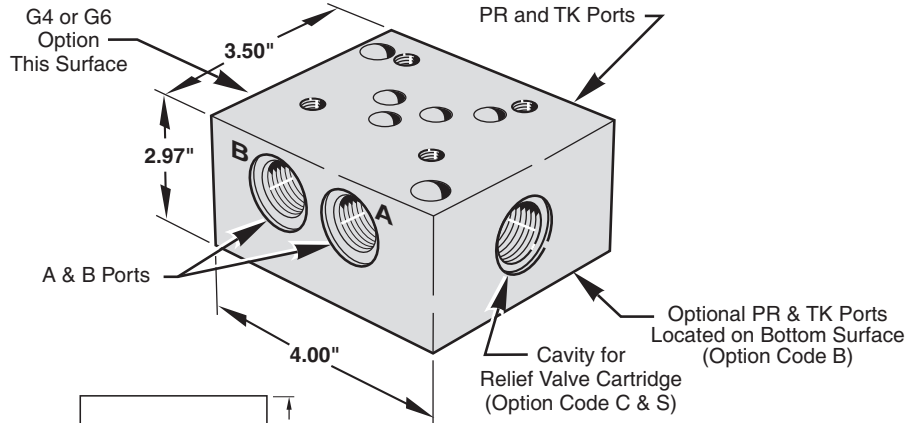
Design Series

Side Ported Subplates D05 - High Flow Side Ported

Application:
Subplate used for mounting directional valve with NFPA D05 Interface.

A & B ports on a common side, PR & TK on opposite side.

Optional features include cartridge relief valve cavity, gauge port and tank and pressure connections on the bottom surface to allow plumbing directly through a reservoir top.



Thread Code	PR, TK, A & B	Valve Mounting
P12	3/4" NPT	1/4-20 UNC
S12	#12 SAE	1/4-20 UNC
B12	3/4" BSPP	M6 - 1.0
T12	3/4" BSPT	M6 - 1.0
M12	M27 x 2.0	M6 - 1.0

Note:
Part no. includes the subplate only. Order relief valve cartridge separately.

3

MAGNALOY D05 SUBPLATE PART NUMBER BREAKDOWN

S P - A H 0 5 P 1 2 - 1 / B Z

Product Code
SP - Subplate

Material Code
A - Aluminum
S - Ductile/Steel

NFPA Pattern Code
H05 - High Flow D05

Thread Code
P12 - NPTF Pipe
S12 - SAE O'Ring
B12 - BSPP British Parallel
T12 - BSPT British Taper
M12 - Metric ISO 6149
(See Port Chart for Standard Sizes)

Options
Z - No Relief Cavity
B - Bottom PR-TK Ports (W/Side PR & TK Ports)
C - Relief Valve Cavity C-10-2
G4 - Gauge Port #4 SAE or 1/4 NPTF
G6 - Gauge Port #6 SAE
S - Relief Valve Cavity Sun T-10A
M - Soft Metric Threading (See Note 3, page 34)

Note: For more than two combined options, consult factory.

Design Series

Also available in Extra High Flow Design and D05E Alt A or D05H Alt B pattern - Consult Factory