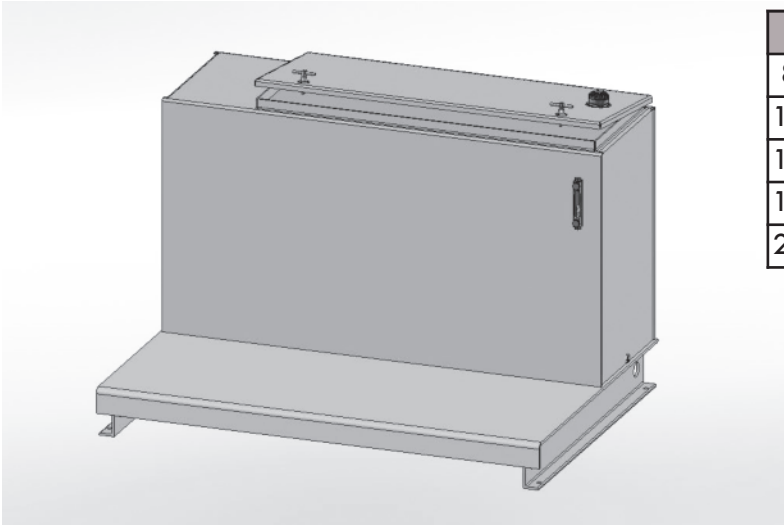


L Series Reservoirs

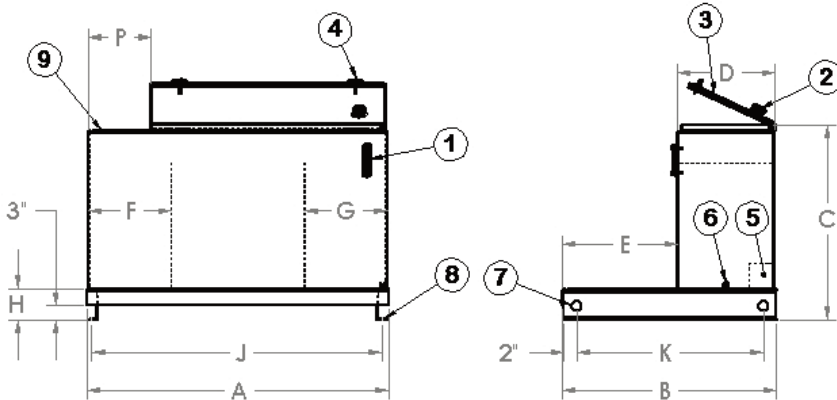
RLPxx-PHT Series Reservoirs:



Size	Form	Top	Lid	Bottom	Baffle
80 gal	7 ga	7 ga	11 ga	3/8"	11 ga
100 gal	7 ga	7 ga	11 ga	3/8"	11 ga
120 gal	7 ga	7 ga	11 ga	3/8"	11 ga
150 gal	7 ga	7 ga	11 ga	3/8"	11 ga
200 gal	7 ga	7 ga	11 ga	3/8"	11 ga

Includes:

- 1 - Sight Level Gauge (front mount) (SLLG-05T-C)
 - 2 - Filler Breather Cap (FB-H008)
 - 3 - Partial Hinged Top w/Gasket
 - 4 - T-Handles to Secure Top
 - 5 - Baffles w/Circulation Cutout
 - 6 - 3/4" NPT Tank Drain
 - 7 - Lifting Holes in Channel Ends
 - 8 - 9/16 Dia Holes, 2 per Channel
 - 9 - Upper Porch for filter mounting
- Primer Coated Exterior
Rust Inhibitor Coated Interior



4

Part Number	Capacity Gallons	Reservoir Dimensions (Inches)										
		A	B	C	D	E	F	G	H	J	K	P
RLP080-PHT	80	60	38.56	36.06	13.38	25	16	16	6.38	58.25	34	12
RLP100-PHT	100	60	42.56	36.06	16.38	26	16	16	6.38	58.25	38	12
RLP120-PHT	120	72	42.56	36.06	16.38	26	16	16	6.38	70.25	38	12
RLP150-PHT	150	72	50.56	39.06	18.38	32	16	16	6.38	70.25	46	12
RLP200-PHT	200	84	51.56	42.06	18.38	33	24	16	6.38	82.25	47	16

NOTE: Due to Magnaloy's policy of continuous improvement, specifications are subject to change without notice.