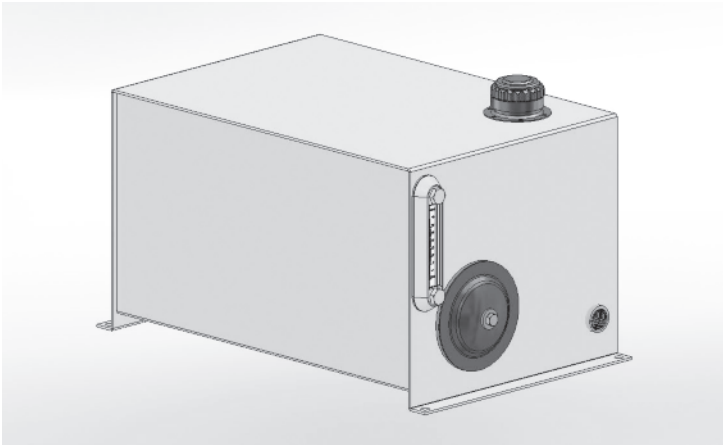


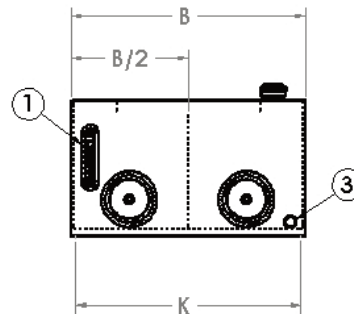
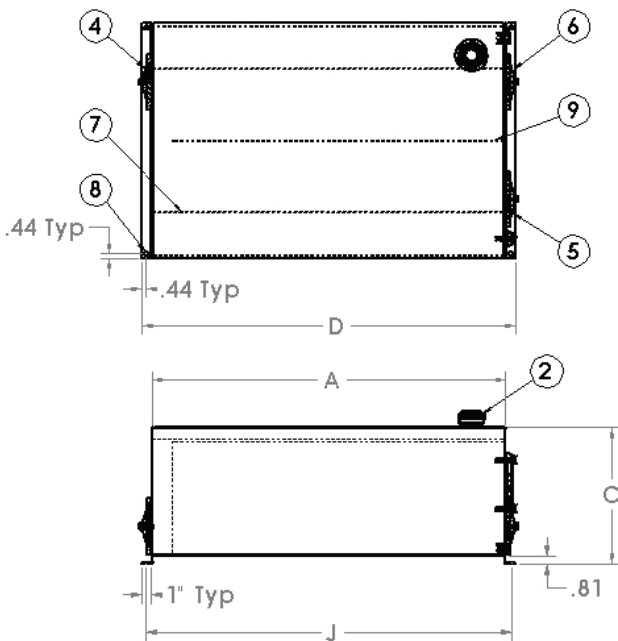
RHCxx-FT Series Reservoirs:

Size	Ends	Form	Top	Baffle
ALL	11 ga	11 ga	11 ga	11 ga



Includes:

- 1 - Sight Level Gauge (front mount) (SLLG-05T-C)
 - 2 - Filler Breather Cap (FB-H008)
Included, **Cutout Hole Not Provided**
 - 3 - 3/4" NPT Tank Drain
 - 4 - End Cover - 10, 20, 30 Gal Only
 - 5 - End Cover - 10, 20, 30 & 40 Gal
 - 6 - End Cover - 40 Gal Only
End Cover - 60 Gal Only - single
12" cover centered on each end.
 - 7 - Top Stiffeners - except 10 Gal
 - 8 - 7/16" Dia. Holes on Bottom Flange for Tank Mounting
 - 9 - Baffle w/cutout for circulation
- Primer Coated Exterior
Rust Inhibitor Coated Interior



4

Part Number	Capacity Gallons	Reservoir Dimensions (Inches)					
		A	B	C	D	J	K
RHC010-FT	10	20	14	12	22.25	21.38	13.13
RHC020-FT	20	24	18	14	26.25	25.38	17.13
RHC030-FT	30	36	18	14	38.25	37.38	17.13
RHC040-FT	40	36	24	14	38.25	37.38	23.13
RHC060-FT	60	40	30	16.63	42.38	41.50	29.13

NOTE: Due to Magnaloy's policy of continuous improvement, specifications are subject to change without notice.