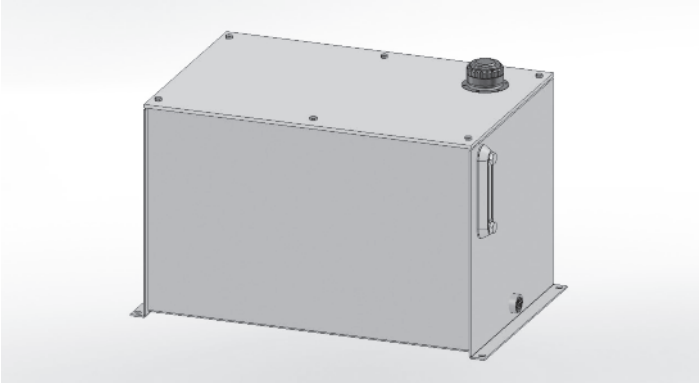


# Horizontal Series Reservoirs



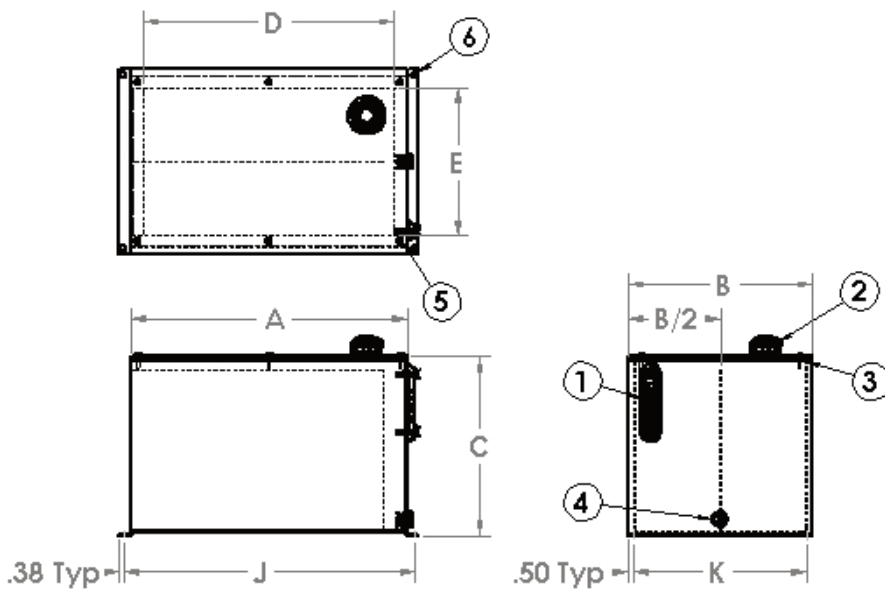
## RHPxx-RT Series Reservoirs:



Size	Ends	Form	Top	Baffle
10 gal	11 ga	11 ga	1/4"	11 ga
20 gal	11 ga	11 ga	1/4"	11 ga
30 gal	11 ga	11 ga	1/4"	11 ga
40 gal	11 ga	11 ga	1/4"	11 ga

### Includes:

- 1 - Sight Level Gauge (front mount) (SLLG-05T-C)
  - 2 - Filler Breather Cap (FB-H008)  
Included, **Cutout Hole Not Provided**
  - 3 - Neoprene Foam Gasket Top Seal
  - 4 - 3/4" NPT Tank Drain
  - 5 - 6 Bolts to secure Top (1/4"-20)
  - 6 - 1/2" Dia. Holes on Bottom Flange for Tank Mounting
- Primer Coated Exterior  
Rust Inhibitor Coated Interior



Part Number	Capacity Gallons	Reservoir Dimensions (Inches)						
		A	B	C	D	E	J	K
RHP010-RT	10	24	16	9.5	21.75	12.75	25.25	15
RHP020-RT	20	24	16	15.5	21.75	12.75	25.25	15
RHP030-RT	30	24	16	21.5	21.75	12.75	25.25	15
RHP040-RT	40	24	16	27.5	21.75	12.75	25.25	15

**NOTE:** Due to Magnaloy's policy of continuous improvement, specifications are subject to change without notice.