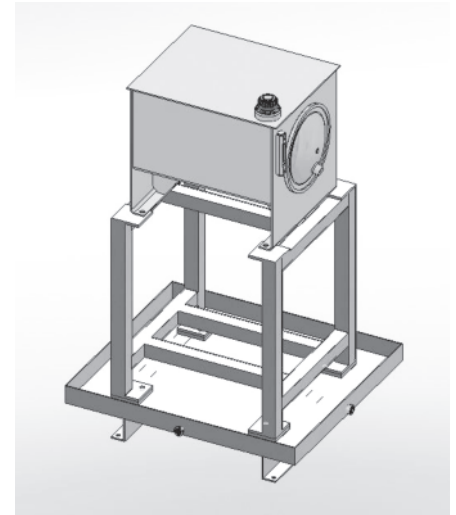
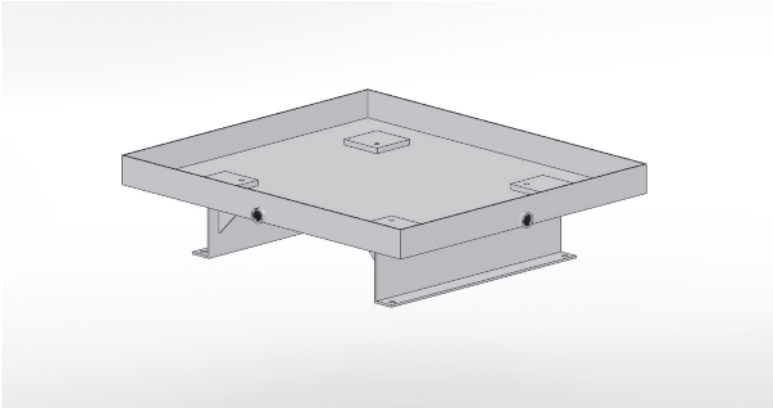
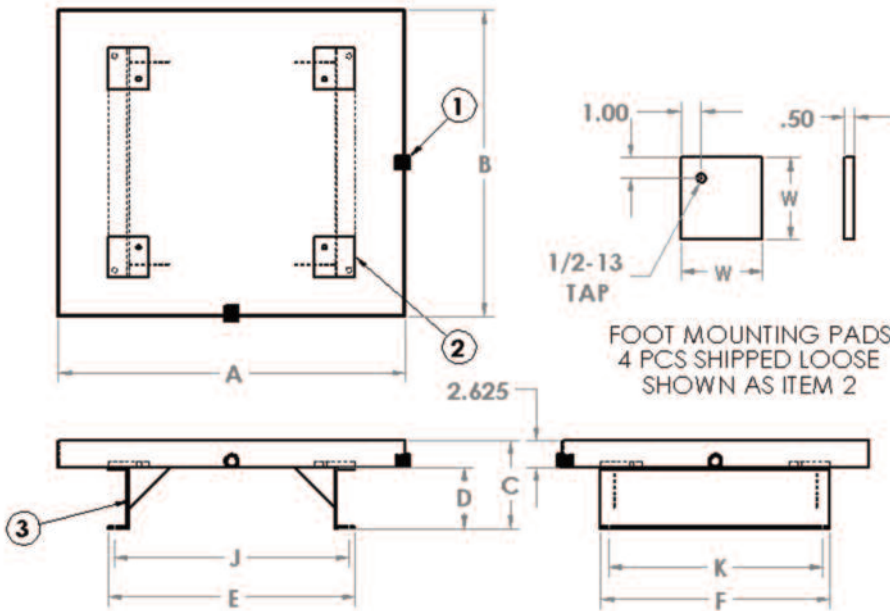


Fits Magnaloy RJIC Series Reservoirs and Stacking Modules:



Includes:

- 1 - (2) 3/4" NPT Drains
 - 2 - (4) Foot Mounting Pads Included (loose)
 - 3 - To eliminate Risers Change Part Number to RJDPP Series
- Sizes 10 thru 100 Drip Pans are 11 gauge
 Sizes 120 thru 200 Drip Pans are 7 gauge
 Primer Coated Exterior
 All Edges Deburred
 Designed to fit Magnaloy Stacking Module (pg 121) and RJIC Reservoir (pg 113) (see image above)



4

Part Number	Drip Pan Size (Gallons)	Fits Reservoir	Drip Pan Dimensions (Inches)								Pad W
			A	B	C	D	E	F	J	K	
RJDPR010	10	RJIC010-	34	30	8.63	6	24.25	22.5	18.25	16.5	4
RJDPR015	15	RJIC015-	38	30	8.63	6	28.25	22.5	22.25	16.5	4
RJDPR020	20	RJIC020-	42	30	8.63	6	32.25	22.5	26.25	16.5	4
RJDPR030	30-50	RJIC030- thru 50-	48	36	8.63	6	38.25	28.5	32.25	22.5	4
RJDPR060	60	RJIC060-	60	39	8.63	6	50.25	31.5	44.25	25.5	4
RJDPR080	80-100	RJIC080- thru 100-	72	39	8.63	6	62.25	31.5	56.25	25.5	4
RJDPR120	120-150	RJIC120- thru 150-	72	42	8.63	6	64.25	36.5	56.25	28.5	5
RJDPR200	200	RJIC200-	84	48	8.63	6	76.25	42.5	68.25	34.5	5

NOTE : RJDPR Series include 6" Risers, Substitute RJDPP for Series number (same dimensions) if no Risers are needed.

NOTE: Due to Magnaloy's policy of continuous improvement, specifications are subject to change without notice.