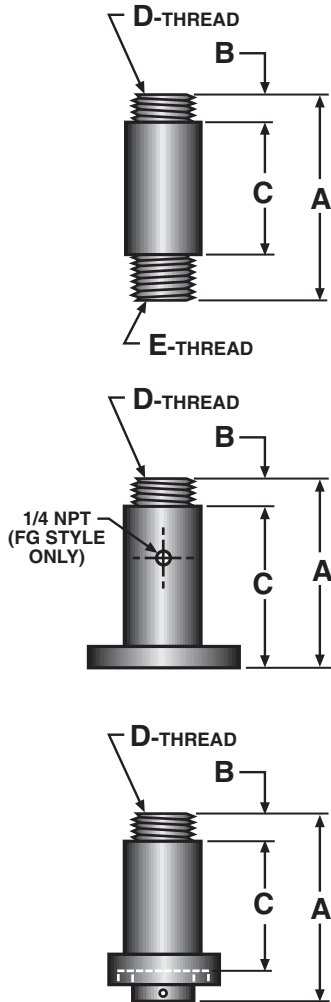


High Capacity Spin-On Adapters
Converts standard breather installation to accept a high efficiency spin-on air breather



Features:

- **Material** - Anodized 6061 Aluminum
- **Flange Adapter** - Accepts 1 1/2-16 UN Threaded Spin-On Filters and uses the same mounting bolt circle as our Filler Breather Screens and comes complete with mounting hardware and gaskets.
- **Bayonet Adapters** - Accept either 1 1/2-16 UN, 1 1/8-16 UN or 1-12 UN threaded Spin-On Filters, fits all popular filler breather bayonet flanges and utilizes a Buna-N gasket to insure proper sealing.



NPT Style Spin-On

Part Number	A	B	C	D	E
FBS-10012-012P	2.80	.435	1.572	1-12 UN	3/4 -NPT
FBS-10216-012P	2.80	.435	1.572	1 1/8-16 UN	3/4 -NPT
FBS-10816-104P	3.25	.435	1.945	1 1/2-16 UN	1 1/4 -NPT

Flange Style Spin-On

Part Number	A	B	C	D
FBS-10816-F	3.051	.435	2.295	1 1/2-16 UN
FBS-10816-FG	4.756	.435	4.321	1 1/2-16 UN

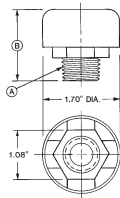
Bayonet Style Spin-On

Part Number	A	B	C	D
FBS-10012-B	2.135	.435	1.05	1-12 UN
FBS-10216-B	2.135	.435	1.05	1 1/8-16 UN
FBS-10816-B	2.135	.435	1.05	1 1/2-16 UN

Allows Filtered Air to Easily Flow in and out of the Hydraulic Reservoir while Preventing Airborne Contaminants from Entering the System.



MB Type - Mini Breather



Filler Breather Caps

Types & Features:

- A Cap** - 20 GPM, 10 Micron Filter, Stainless Steel
- D Cap** - 30 GPM, 10 Micron Filter, Stainless Steel
- H Cap** - 120 GPM, 10 Micron Filter, Stainless Steel
- K Cap** - Pressure Cap, 20 PSI-no relief, 10 Micron Filter, Chrome Plated
- MB Cap** - 10 GPM, 10 Micron Filter, Shatter Resistant Plastic (Temp Rating 225°F)

Type	Part Number	Mounting Type	Overall Height	Outside Diameter
A	FB-C-A	Bayonet	1.33	2.55
D	FB-C-D	Bayonet	1.30	2.55
H	FB-C-H	Bayonet	1.33	2.55
K	FB-C-K	Bayonet	.94	2.88
MB	FB-C-MB-P004	1/4 NPT	1.80	1.70
MB	FB-C-MB-P006	3/8 NPT	1.50	1.70
MB	FB-C-MB-P008	1/2 NPT	1.60	1.70
MB	FB-C-MB-P012	3/4 NPT	1.60	1.70

Mounting Flanges

Features:

- Blue Zinc Plated
- Available in Three Lengths



Part Number	Height	Description	Code
FB-F-008	.500	008 Mounting Flange	008
FB-F-108	1.50	108 Mounting Flange	108
FB-F-600	6.00	600 Mounting Flange	600

Filler Breather Screens

Materials & Features:



Part Number	Code	Mesh	Material	Length
FB-S-N *	N	200 Mesh	Brass	6.00
FB-S-P	P	30 Mesh	Nylon	4.00
FB-S-R *	R	30 Mesh	Brass	4.00
FB-S-V *	V	30 Mesh	Brass	9.25
FB-S-W	W	30 Mesh	Stainless	3.25
FB-S-X	X	30 Mesh	Stainless	6.25
FB-S-Y	Y	30 Mesh	Stainless	8.25
FB-S-Z	Z	30 Mesh	Stainless	10.25

* Check with factory for availability

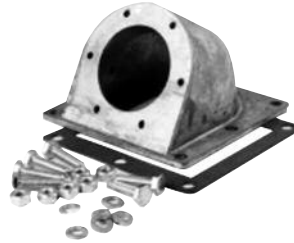
Filler Breather Options:



PL - Pad Lock



L - Locking Cap



SM - Side Mounting Kit



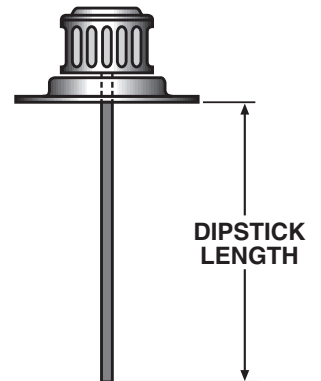
D - Dipstick

Part Number	Code	Description
FB-O-PL	PL	Pad Lock - not included with locking cap option
FB-O-L	L	Cap Lock Kit
FB-O-SM	SM	Side Mounting Kit
FB-O-D	D	Dipstick - specify length, measured from bottom of mounting flange to end of dipstick

How to Order:

Standard Assemblies:

Code	Description
FB-A008W	Stainless Steel, Weatherproof, 10 micron, 20 GPM Cap; 1/2" Mounting Flange; 30 mesh, 3 1/4", Stainless Steel Screen
FB-A008P	Stainless Steel, Weatherproof, 10 micron, 20 GPM Cap; 1/2" Mounting Flange; 30 mesh, 4", Nylon Screen
FB-K008W	Pressurized, Chrome Plated, 20 PSI Cap; 1/2" Mounting Flange; 30 mesh, 3 1/4", stainless steel Screen



Custom Assemblies:

Select the components that best meet your particular hydraulic system requirements and custom build the part number as follows:



FB - A 008 Y - D8

Code	Option
Blank	No Options
PL	Pad Lock
L	Locking Cap
SM	Side Mount
D	Dipstick

Code	Cap Type
A	A Cap
D	D Cap
H	H Cap
K	K Cap

Code	Mounting Flange
008	1/2" Height
108	1 1/2" Height
600	6" Height

Code	Screen Material
N	6" Brass
P	4" Nylon
R	4" Brass
S	14 1/2" Zinc Plated
V	9 1/4" Brass
W	3 1/4" Stainless
X	6 1/4" Stainless
Y	8 1/2" Stainless
Z	10 1/4" Stainless