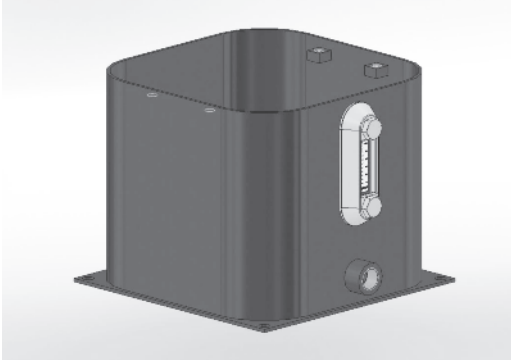


# Vertical ECONO Reservoirs



Magnaloy Coupling Company's line of reservoirs begins with the Econo Series. These reservoirs are available in 2, 3, 5, 8, 10, 14, 20 and 25 gallon capacities. Each reservoir includes our Sight Level Gauge w/Temperature Readout, NPT Tank Drain, cutout and tapped holes for Reservoir Cover Plate (ordered separately), 6" Steel End Cover (on 8 gallon and larger), Primer Coated Exterior and Rust Inhibitor Coated Interior. All edges are deburred for safe handling.

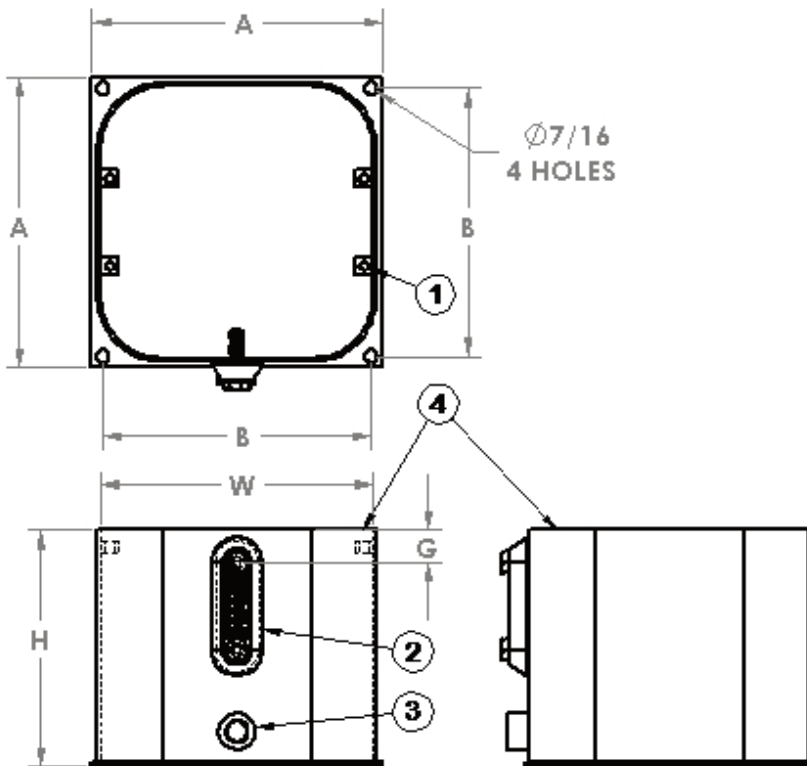
## RVP02, RVP03 and RVP05 Econo Reservoirs:



### Features:

- 1 - 3/8-16 Cover Mounting Nuts
  - 2 - Magnaloy Sight Level Gauge w/temp \*
  - 3 - 1/2" NPT Drain
  - 4 - Neoprene Gasket for Cover Plate Seal \*\*
- Primer Coated Exterior  
Rust Inhibitor Coated Interior

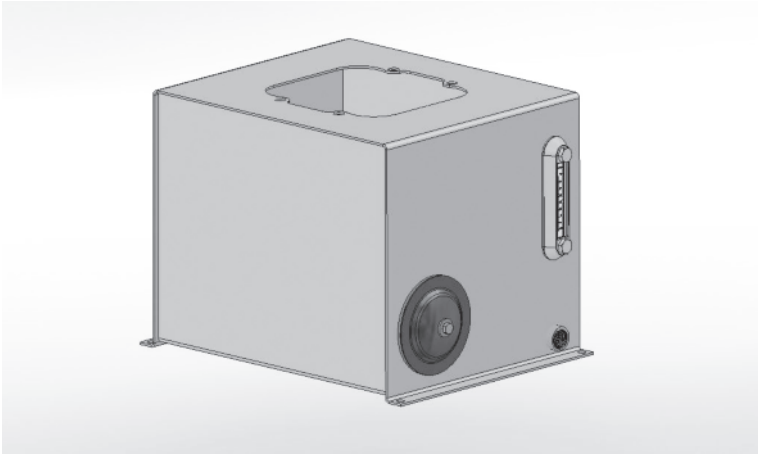
\* Sight Level Gauge:  
 2 gallon - 3" Gauge (SLLG-03T-C)  
 3 & 5 gallon - 5" Gauge (SLLG-05T-C)  
 \*\* Cover Plate is ordered as a separate item, see page 110 for specifications



Part Number	A	B	G	H	W
RVP02	10.00	9.25	1.13	8.00	9.38
RVP03	10.00	9.25	2.50	12.00	9.38
RVP05	10.00	9.25	1.50	16.00	9.38

**NOTE:** Due to Magnaloy's policy of continuous improvement, specifications are subject to change without notice.

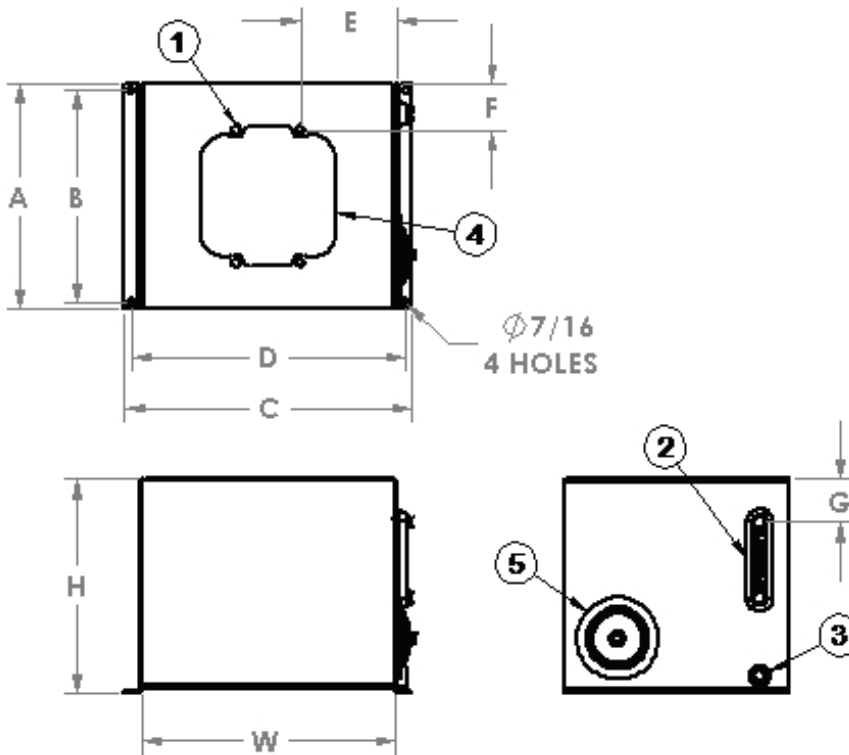
## RVP08, RVP10 and RVP14 Econo Reservoirs:



### Features:

- 1 - 3/8-16 Cover Mounting Nuts
  - 2 - Magnaloy 5" Sight Level Gauge w/temp (SLLG-05T-C)
  - 3 - 3/4" NPT Drain
  - 4 - Neoprene Gasket for Cover Plate Seal \*
  - 5 - 6" Steel Clean-out Cover (REC06)
- Primer Coated Exterior  
Rust Inhibitor Coated Interior

\* Cover Plate is ordered as a separate item, see page 110 for specifications



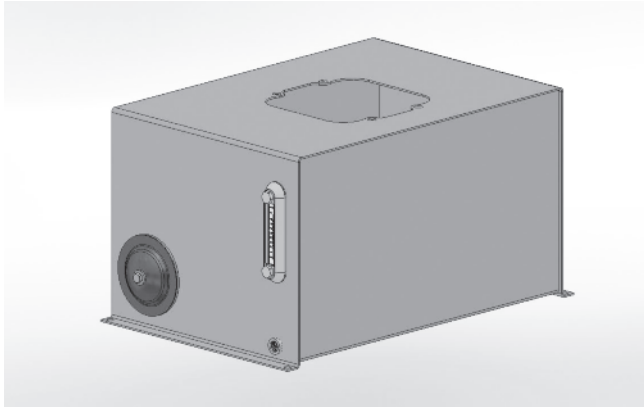
4

Part Number	A	B	C	D	E	F	G	H	W
RVP08	12.00	11.13	14.25	13.38	5.06	1.63	3.13	18.13	12.00
RVP10	15.00	14.13	19.00	18.13	6.25	2.63	2.81	13.94	16.75
RVP14	12.00	11.13	20.25	19.38	6.88	1.63	2.88	20.13	18.00

**NOTE:** Due to Magnaloy's policy of continuous improvement, specifications are subject to change without notice.

# Vertical ECONO Reservoirs

## RVP20 and RVP25 Econo Reservoirs:



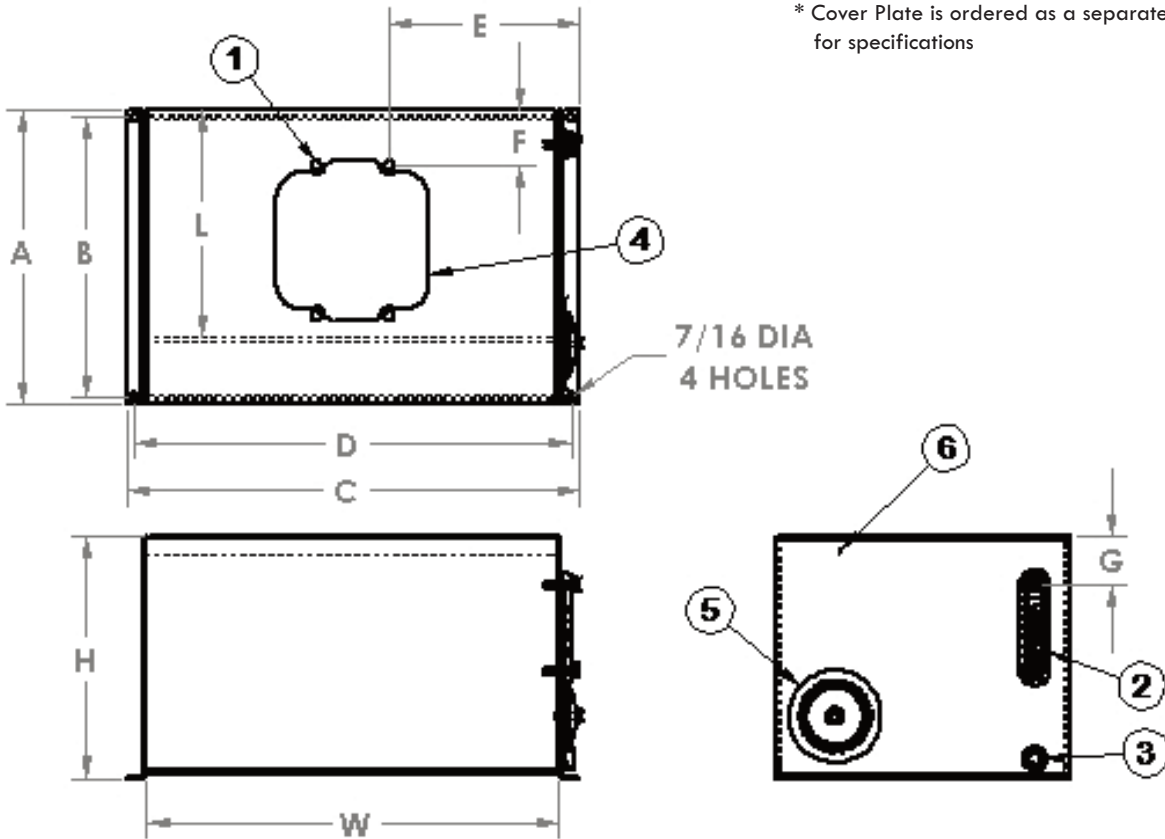
### Features:

- 1 - 3/8-16 Cover Mounting Nuts
- 2 - Magnaloy 5" Sight Level Gauge w/temp (SLLG-05T-C)
- 3 - 3/4" NPT Drain
- 4 - Neoprene Gasket for Cover Plate Seal \*
- 5 - 6" Steel Clean-out Cover (REC06)
- 6 - Tank Top Stiffener for rigidity and noise reduction

Primer Coated Exterior

Rust Inhibitor Coated Interior

\* Cover Plate is ordered as a separate item, see page 110 for specifications



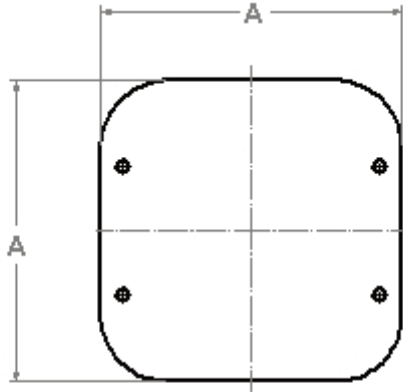
4

Part Number	A	B	C	D	E	F	G	H	L	W
RVP20	18.00	17.13	26.25	25.38	10	3.25	1.63	14.25	13.00	24.00
RVP25	18.00	17.13	26.25	25.38	10	3	5.63	18.13	12.25	24.00

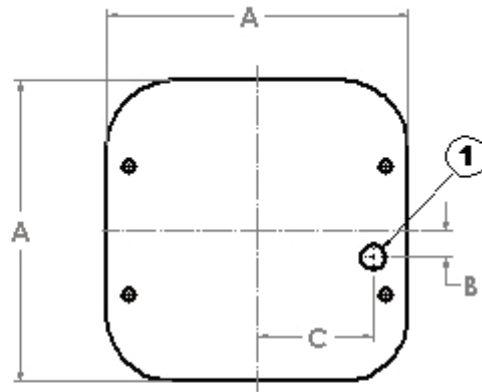
**NOTE:** Due to Magnaloy's policy of continuous improvement, specifications are subject to change without notice.

## RVPT-1, RVPT-2, RVPT-3 and RVPT-4 Cover Plates:

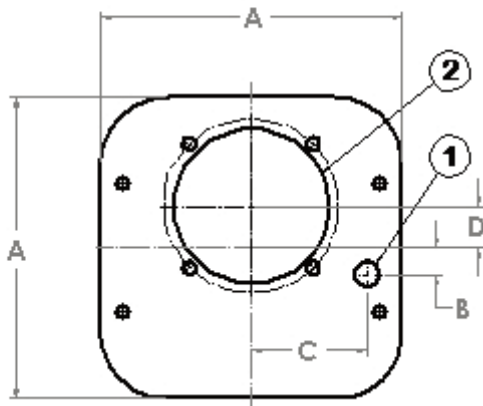
Magnaloy offer 4 choices of Cover Plates for the Econo Series of Reservoirs to meet your specific requirements. Each Cover Plate will fit any of the Econo Reservoirs. All Cover Plates are formed from 7 gauge sheet metal.



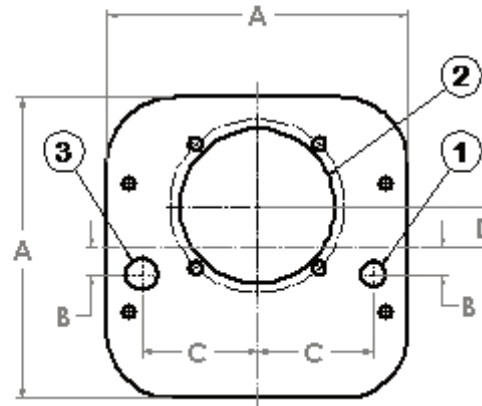
**RVPT-1 Cover Plate**  
Blank Cover



**RVPT-2 Cover Plate**  
Includes: 1 - Filler Breather Cutout(1/2" NPT)



**RVPT-3 Cover Plate**  
Includes: 1 - Filler Breather Cutout(1/2" NPT)  
2 - 056C Mount Cutout



**RVPT-4 Cover Plate**  
Includes: 1 - Filler Breather Cutout(1/2" NPT)  
2 - 056C Mount Cutout  
3 - 1/2" NPT Connector

4

Part Number	A	B	C	D
RVPT-1	10.11	N/A	N/A	N/A
RVPT-2	10.11	.88	3.88	N/A
RVPT-3	10.11	.88	3.88	1.41
RVPT-4	10.11	.88	3.88	1.41

**NOTE:** Reservoirs and Cover Plates are ordered separately. Order by the specific part number for the Reservoir and Cover Plate.

**NOTE:** Due to Magnaloy's policy of continuous improvement, specifications are subject to change without notice.