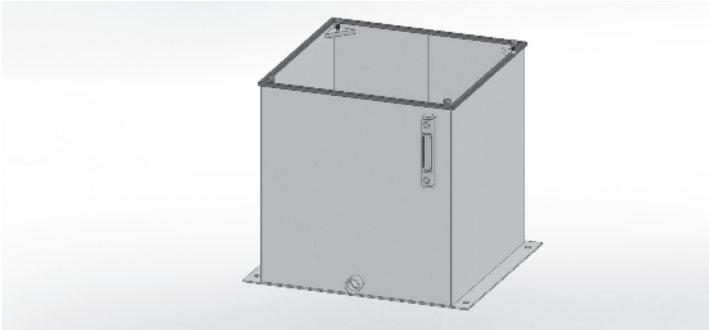


# Vertical Series Reservoirs

## RVSxx-x Series Reservoirs:



Size	Body Form	Bottom Form
5 gal	11 ga	11 ga
10 gal	11 ga	11 ga
20 gal	11 ga	11 ga
30 gal	11 ga	11 ga
40 gal	11 ga	11 ga

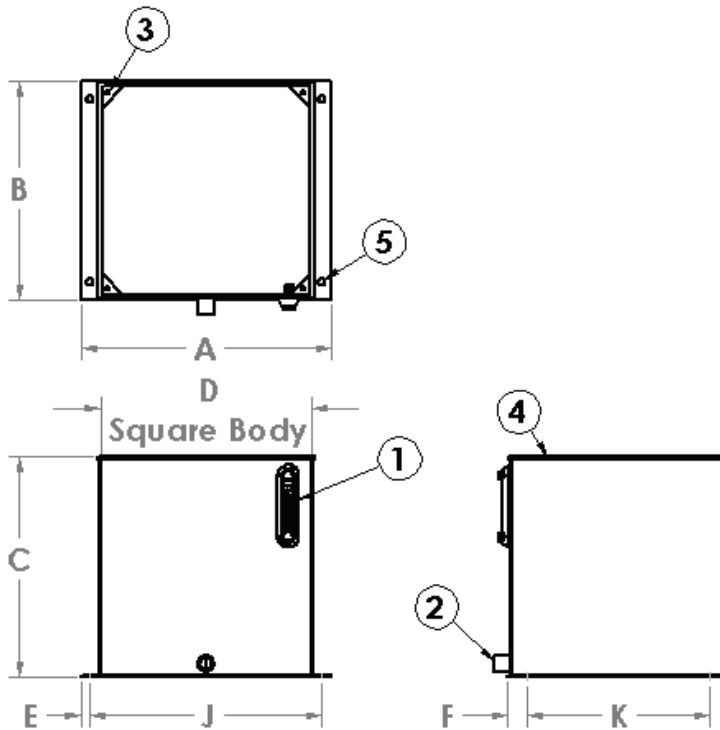
### Includes:

- 1 - Sight Level Gauge (front mount) (SLLG-05T-C)
- 2 - 1/2" NPT Tank Drain
- 3 - (4) 3/8-16 Threaded Gussets for Cover Mounting Bolts
- 4 - "U" Gasket for Top Seal
- 5 - 9/16" Dia. Holes on Bottom Flange for Tank Mounting

Choice of Top - ordered separately, see page 109

Primer Coated Exterior

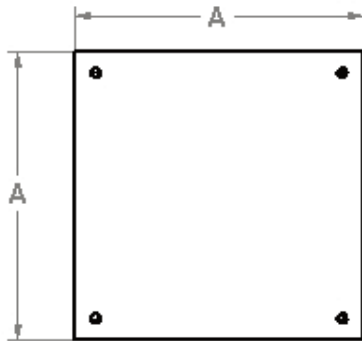
Rust Inhibitor Coated Interior



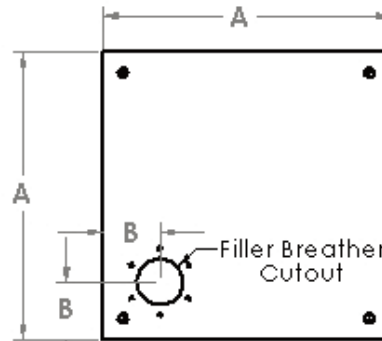
Part Number	Series	Capacity Gallons	Reservoir Dimensions (Inches)							
			A	B	C	D	E	F	J	K
RVS05-1	1	5	14.5	12.5	10	12	0.5	1.25	13.5	10
RVS10A-1	1	10	14.5	12.5	19.69	12	0.5	1.25	13.5	10
RVS10B-2	2	10	19	16.5	11.75	16	0.75	1.25	17.5	14
RVS10-2	2	10	19	16.5	15	16	0.75	1.25	17.5	14
RVS20-2	2	20	19	16.5	23.69	16	0.75	1.25	17.5	14
RVS20-3	3	20	20.5	18	18	17.5	0.75	1.5	19	15
RVS30-2	2	30	19	16.5	35.69	16	0.75	1.25	17.5	14
RVS30-3	3	30	20.5	18	26	17.5	0.75	1.5	19	15
RVS40-3	3	40	20.5	18	34	17.5	0.75	1.5	19	15

**NOTE:** Due to Magnaloy's policy of continuous improvement, specifications are subject to change without notice.

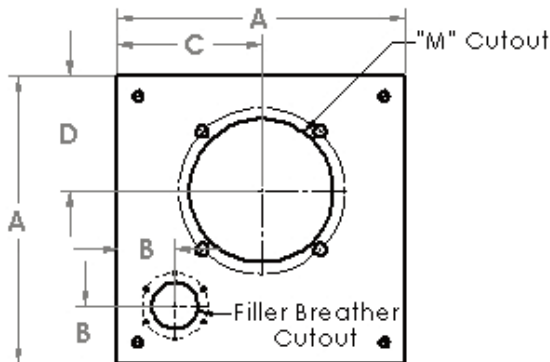
## RVS Series Reservoir Tops:



Blank Cover  
Part Number RVSx-T-1



Cover w/Filler Breather Cutout  
Part Number RVSx-T-2



Cover w/Filler Breather  
Cutout and Pump/Motor Mount Cutout  
Part Number RVSx-T-3(4)/M

### "M" Pump/Motor Mount Cutout Specifications

Code "M"	Pump/Motor Mount Size*	M Dia.	Hole Dia	Bolt Circle
A	056 option A	5.19	7/16	5.88
B	056 option B	5.00	7/16	5.88
C	182 option A	6.25	17/32	7.25
D	182 option B	9.13	17/32	10.25

\* See Magnaloy's Pump/Motor Mounts, page 17 for more details

4

Vertical Reservoir Top	Fits Reservoir Series	Reservoir Dimensions (Inches)				Pump/Motor Mount Code
		A	B	C	D	M
RVS1-T-1	1	12.5				
RVS1-T-2	1	12.5	2.5			
RVS1-T-3/M	1	12.5	2.5	6.25	5	A or B
RVS1-T-4/M	1	12.5	2.5	6.25	5	C
RVS2-T-1	2	16.5				
RVS2-T-2	2	16.5	2.5			
RVS2-T-3/M	2	16.5	2.5	8.25	5.5	A or B
RVS2-T-4/M	2	16.5	2.5	8.25	6.25	C or D
RVS3-T-1	3	18				
RVS3-T-2	3	18	2.5			
RVS3-T-3/M	3	18	2.5	9	5.5	A or B
RVS3-T-4/M	3	18	2.5	9	6.25	C or D

**NOTE:** Due to Magnaloy's policy of continuous improvement, specifications are subject to change without notice.