

## Integral Tank Breather Series

### Features:

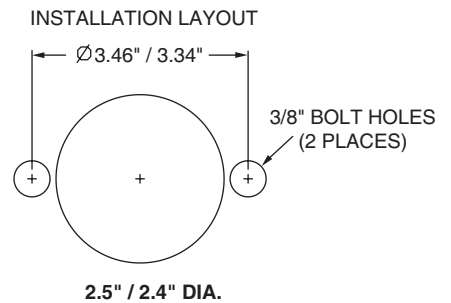
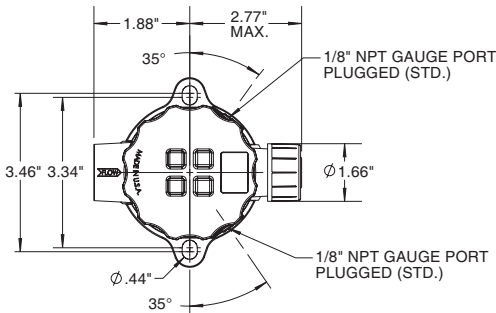
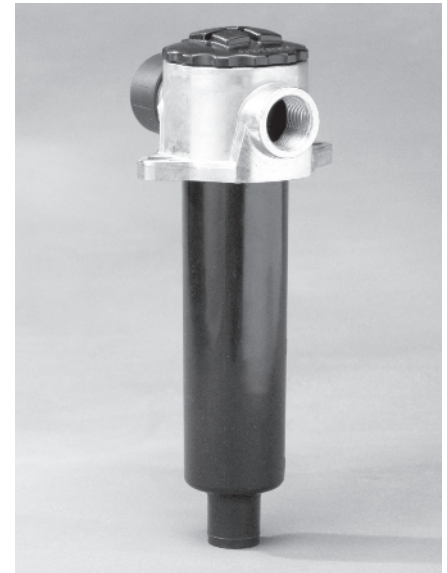
- Flow Rates up to 25 GPM (Return)
- Port Sizes: 1/2" NPT, 3/4" NPT  
#8 SAE, #12 SAE  
1/2" BSPT, 3/4" BSPT
- Maximum Operating Pressure of 100 PSI (300 PSI Burst pressure) 25 PSI By-Pass included.
- Operating Temperature Range: -15° F of 230° F.
- Head Material: Die Cast Aluminum Alloy
- Bowl/Cover Material: Nylon
- Breather: 10 Micron Foam (Standard)
- Suitable for Petroleum based fluids only (consult factory for synthetic fluids).

### How to Order:

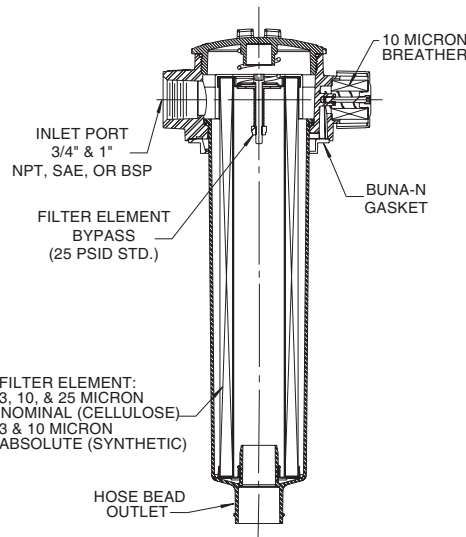
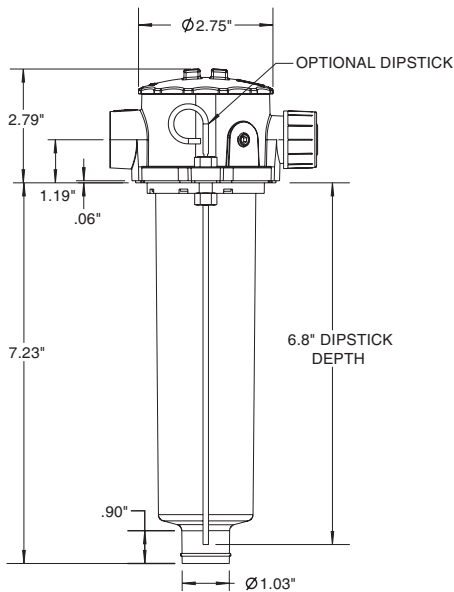
**TTF-ITB-P008-0**

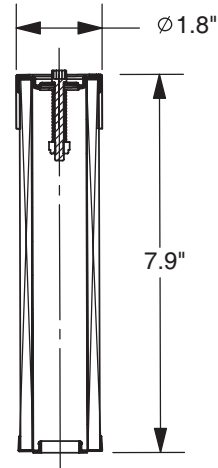
Series: Integral Tank Breather			
Code	Port Size	Code	Port Size
P008	1/2" NPT	S012	#12 SAE
P012	3/4" NPT	B008	1/2" BSP
S008	#8 SAE	B012	3/4" BSP

Code	Dipstick Option
0	No Dipstick
D	w/Dipstick (9.84" length)

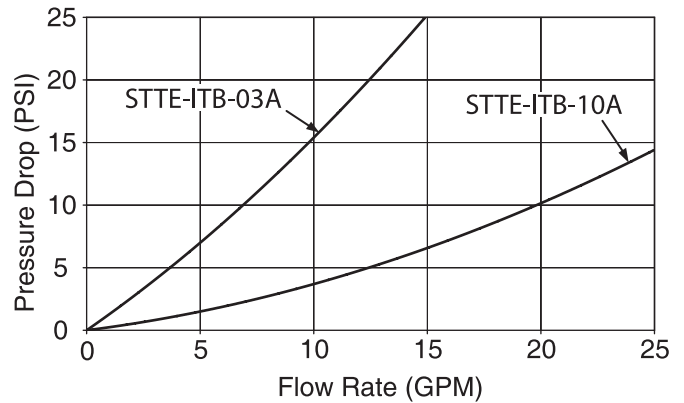
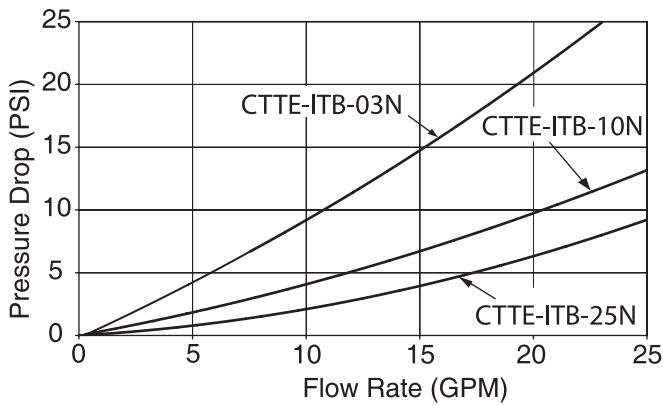


5





Average Pressure Drop through clean assembly with 150 SUS Oil at 105° F



5

## Tank Top Filter Elements

**Cellulose Media Series:** for use with Magnaloy Series TTF-ITB Tank Top Filter Head

Part Number	Micron Rating	Media Type	Filtration Rating
CTTE-ITB-03N	3 Nominal	Cellulose	Beta <sub>3</sub> = 5.3
CTTE-ITB-10N	10 Nominal	Cellulose	Beta <sub>10</sub> = 5.3
CTTE-ITB-25N	25 Nominal	Cellulose	Beta <sub>25</sub> = 2.9

**Synthetic Media Series:** (Z-Glass Media) for use with Magnaloy Series TTF-ITB Tank Top Filter Head

Part Number	Micron Rating	Media Type	Filtration Rating
STTE-ITB-03A	3 Absolute	Z Glass Synthetic	Beta <sub>3</sub> = 200
STTE-ITB-10A	10 Absolute	Z Glass Synthetic	Beta <sub>10</sub> = 200