

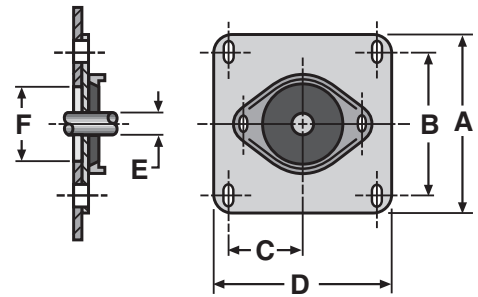
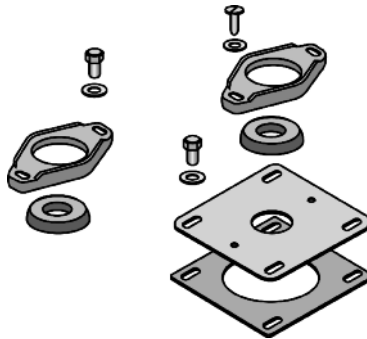
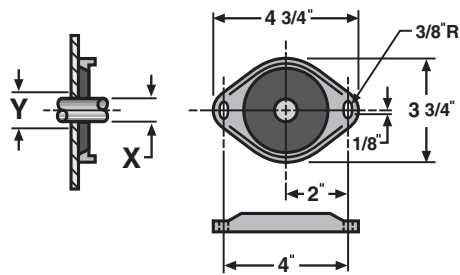
Reservoir Flanges



Premium Line Suction and Return Line Flanges - heavy duty, positive sealing Suction and Return Line Flanges

Features:

- Positive Urethane Seal - protects against particulate and liquid contamination.
- Mounting Hardware - required screws, bolts, washers and gaskets are included.
- Available in Many Popular Tube and Pipe Sizes - 1/2" thru 2" Pipe and Tube.
- Large Suction Line Flange Plate - allows easy access for suction line strainer installation and maintenance.
- Rigid/Heavy Duty Zinc Plated Die Cast Flange - will not deflect or distort, provides sealing forces to urethane seal.



Pipe Sizes: from 1/2" to 2"
Return Line Flange:

Part Number	Nominal Pipe Size	Pipe OD X	Clearance Hole Dia. Y
RLF-008P	1/2"	0.84	1.00
RLF-012P	3/4"	1.05	1.19
RLF-100P	1"	1.32	1.44
RLF-104P	1 1/4"	1.66	1.81
RLF-108P	1 1/2"	1.90	2.06
RLF-200P	2"	2.38	2.50

Suction Line Flange:

Part Number	Nominal Pipe Size	A	B	C	D	Pipe OD E	Clearance Hole Dia. F
SLF-008P	1/2"	5.50	4.25	2.12	5.25	0.84	4.25
SLF-012P	3/4"	5.50	4.25	2.12	5.25	1.05	4.25
SLF-100P	1"	5.50	4.25	2.12	5.25	1.32	4.25
SLF-104P	1 1/4"	5.50	4.25	2.12	5.25	1.66	4.25
SLF-108P	1 1/2"	7.50	6.25	3.12	7.25	1.90	6.25
SLF-200P	2"	7.50	6.25	3.12	7.25	2.38	6.25

Tube Sizes: from 1/2" to 2"
Return Line Flange:

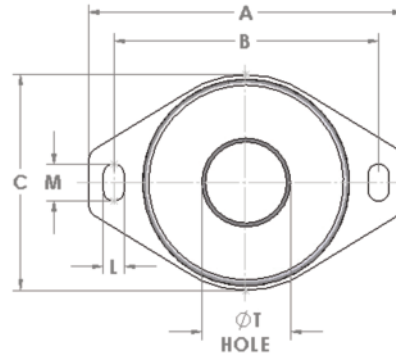
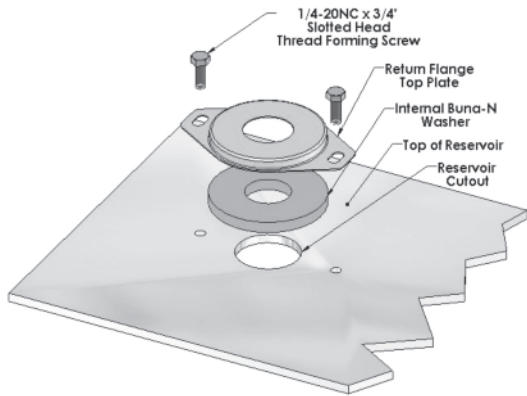
Suction Line Flange:

Economy Line Suction and Return Line Flanges - an alternative to the Magnaloy Premium Line of Suction and Return Line Flanges.

Features:

- Tight Fitting Buna-N Washer to provide positive sealing against contaminants.
- Required Mounting Hardware included.
- Available in Many Popular Tube and Pipe Sizes.
- 2 Large Flange Plate Sizes offered in Suction Line Flanges provide easy access to Suction Line Strainer.

Economy Return Line Flanges:



Mounting Hole Dimensions:

L	M
5/16	9/16

Pipe Sizes:

Part Number	Nominal Pipe Size	A	B	C	T ²	Reservoir Cutout
RLFE-000P ¹	N/A	4 3/4	4	3 1/8	1 3/16	N/A
RLFE-008P	1/2"	4 3/4	4	3 1/8	1 3/16	1 3/16
RLFE-012P	3/4"	4 3/4	4	3 1/8	1 3/4	1 3/4
RLFE-100P	1"	4 3/4	4	3 1/8	1 3/4	1 3/4
RLFE-104P	1 1/4"	4 3/4	4	3 1/8	2 1/2	2 1/2
RLFE-108P	1 1/2"	4 3/4	4	3 1/8	2 1/2	2 1/2
RLFE-200P	2"	4 3/4	4	3 1/8	2 1/2	2 1/2

Tube Sizes:

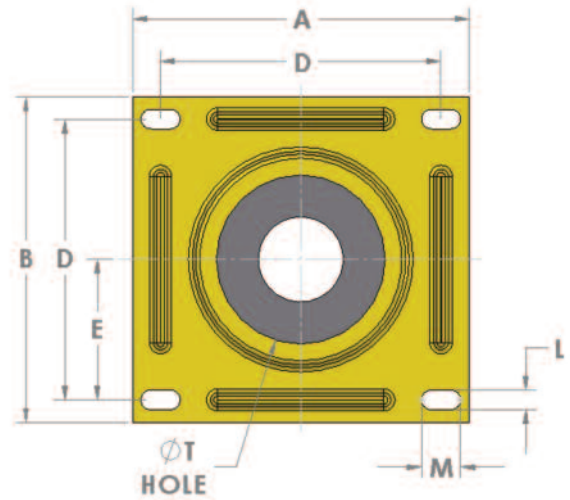
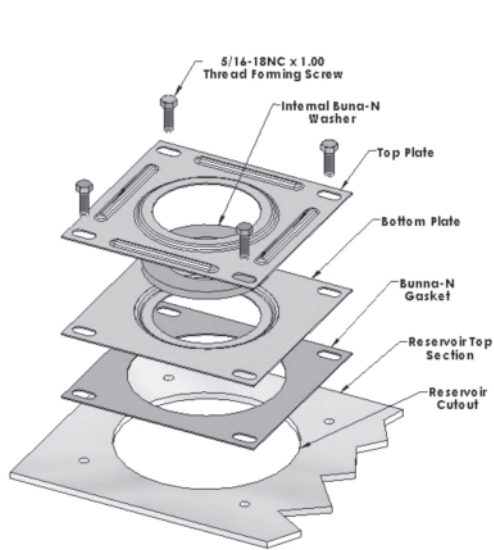
Part Number	Nominal Tube Size	A	B	C	T ²	Reservoir Cutout
RLFE-006T	3/8"	4 3/4	4	3 1/8	1 3/16	1 3/16
RLFE-008T	1/2"	4 3/4	4	3 1/8	1 3/16	1 3/16
RLFE-012T	3/4"	4 3/4	4	3 1/8	1 3/16	1 3/16
RLFE-100T	1"	4 3/4	4	3 1/8	1 3/4	1 3/4
RLFE-104T	1 1/4"	4 3/4	4	3 1/8	2 1/2	2 1/2
RLFE-108T	1 1/2"	4 3/4	4	3 1/8	2 1/2	2 1/2
RLFE-200T	2"	4 3/4	4	3 1/8	2 1/2	2 1/2

1 Use this Blank Flange for covering unused openings or for custom Pipe or Tube Sizes.
 2 Opening in metal flange - required clearance to Pipe or Tube OD.

Reservoir Flanges



Economy Suction Line Flanges:



Mounting Hole Dimensions:

L	M
7/16	7/8

Pipe Sizes:

Part Number	Nominal Pipe Size	A	B	D	E	T ²	Reservoir Cutout
SLFE-500-000P ¹	N/A	5 1/2	5 1/4	4 1/4	2 1/8	1 3/16	4 1/2
SLFE-500-008P	1/2"	5 1/2	5 1/4	4 1/4	2 1/8	1 3/16	4 1/2
SLFE-500-012P	3/4"	5 1/2	5 1/4	4 1/4	2 1/8	1 3/16	4 1/2
SLFE-500-100P	1"	5 1/2	5 1/4	4 1/4	2 1/8	1 3/4	4 1/2
SLFE-500-104P	1 1/4"	5 1/2	5 1/4	4 1/4	2 1/8	1 3/4	4 1/2
SLFE-500-108P	1 1/2"	5 1/2	5 1/4	4 1/4	2 1/8	1 3/4	4 1/2
SLFE-500-200P	2"	5 1/2	5 1/4	4 1/4	2 1/8	2 1/2	4 1/2
SLFE-700-108P	1 1/2"	7 1/2	7 1/4	6 1/4	3 1/8	3 1/8	6 1/2
SLFE-700-200P	2"	7 1/2	7 1/4	6 1/4	3 1/8	3 1/8	6 1/2
SLFE-700-208P	2 1/2"	7 1/2	7 1/4	6 1/4	3 1/8	3 3/4	6 1/2
SLFE-700-300P	3"	7 1/2	7 1/4	6 1/4	3 1/8	3 3/4	6 1/2

5

Tube Sizes:

Part Number	Nominal Tube Size	A	B	D	E	T ²	Reservoir Cutout
SLFE-500-006T	3/8"	5 1/2	5 1/4	4 1/4	2 1/8	1 3/16	4 1/2
SLFE-500-008T	1/2"	5 1/2	5 1/4	4 1/4	2 1/8	1 3/16	4 1/2
SLFE-500-012T	3/4"	5 1/2	5 1/4	4 1/4	2 1/8	1 3/16	4 1/2
SLFE-500-100T	1"	5 1/2	5 1/4	4 1/4	2 1/8	1 3/4	4 1/2
SLFE-500-104T	1 1/4"	5 1/2	5 1/4	4 1/4	2 1/8	1 3/4	4 1/2
SLFE-500-108T	1 1/2"	5 1/2	5 1/4	4 1/4	2 1/8	1 3/4	4 1/2

- 1 Use this Blank Flange for covering unused openings or for custom Pipe or Tube Sizes.
- 2 Opening in metal flange - required clearance to Pipe or Tube OD.