

Suction Strainers

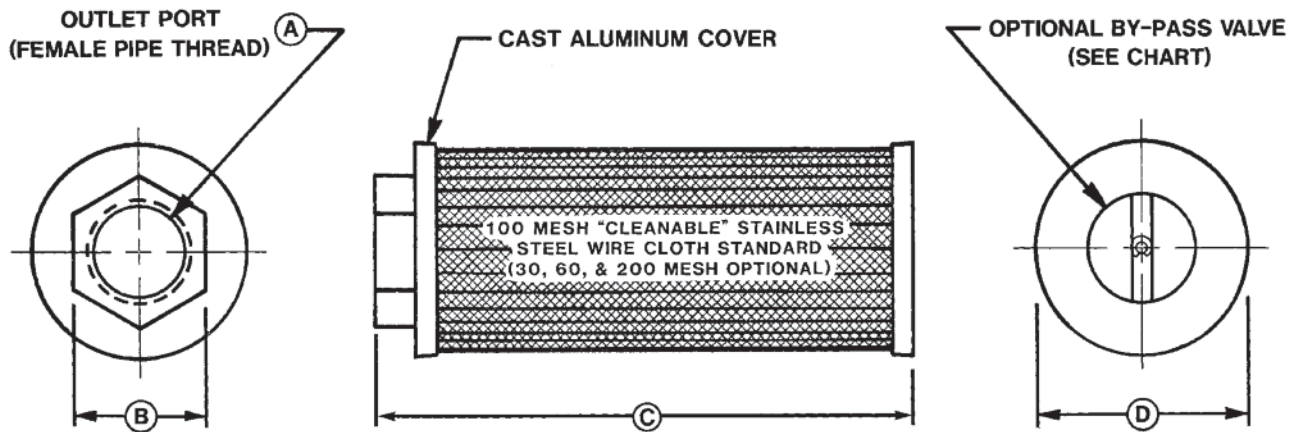


Internally Mounted Tank Filters - your front-line defense against particle contamination



Features:

- Die cast aluminum end covers.
- By-Pass valve available on most models(see tables).
- End caps are designed to provide a positive interlock with epoxy bond to prevent leakage.
- Rated flow capacity at 5 ft/sec.
- Suitable with all petroleum base oils and fire retardant hydraulic fluids, coolants and lubricants.

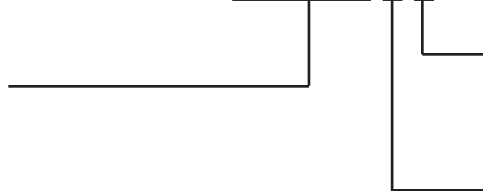


| Part Number | A Outlet Port | B Wrench Flat | C Overall Length | D Outside Diameter | Rated Flow @ 5 ft/sec |
|-----------------------------|------------------|------------------|---------------------|-----------------------|--------------------------|
| SS-003P006-1-0 ¹ | 3/8" NPT | 1.20" | 3.00" | 2.75" | 3 GPM |
| SS-005P008-1-X ¹ | 1/2" NPT | 1.20" | 3.25" | 2.75" | 5 GPM |
| SS-008P012-1-X ¹ | 3/4" NPT | 1.50" | 3.25" | 2.75" | 8 GPM |
| SS-010P100-1-X ¹ | 1" NPT | 1.75" | 5.50" | 2.75" | 10 GPM |
| SS-023P104-X-X | 1 1/4" NPT | 2.25" | 6.60" | 3.20" | 23 GPM |
| SS-032P108-X-X | 1 1/2" NPT | 2.35" | 8.60" | 3.20" | 32 GPM |
| SS-053P200-X-X | 2" NPT | 3.00" | 7.20" | 4.20" | 53 GPM |
| SS-075P208-X-X | 2 1/2" NPT | 3.50" | 9.30" | 4.20" | 75 GPM |

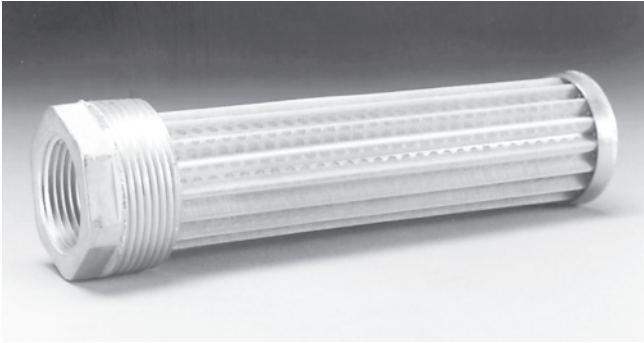
1 - Standard 100 Mesh, contact factory for other Mesh sizes.

How to Order:

SS-003P006-1-0

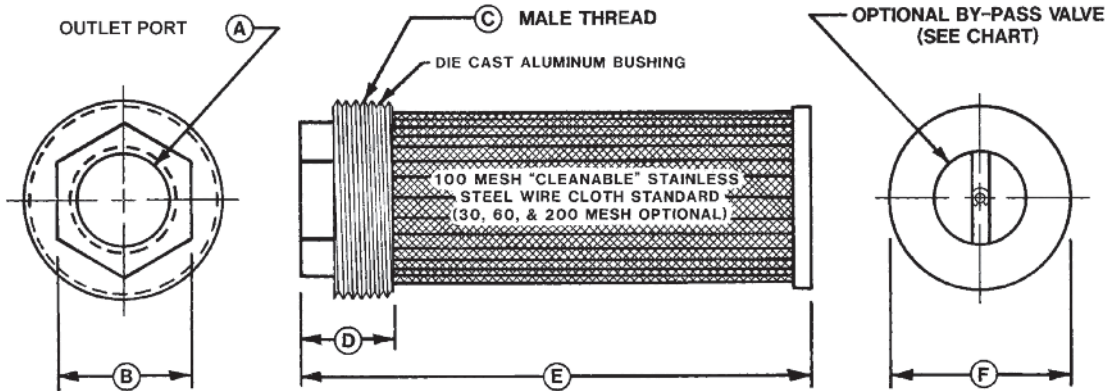


Externally Mounted Tank Filters - your front-line defense against particle contamination



Features:

- Die cast aluminum end covers.
- By-Pass valve available on most models(see tables).
- End caps are designed to provide a positive interlock with epoxy bond to prevent leakage.
- Rated flow capacity at 5 ft/sec.
- Suitable with all petroleum base oils and fire retardant hydraulic fluids, coolants and lubricants.



| Part Number | A Outlet Port | B Hex Size | C Male Thread | D Fitting Length | E Overall Length | F Cover Diameter | Rated Flow @ 5 ft/sec |
|---------------------|------------------|---------------|------------------|---------------------|---------------------|---------------------|--------------------------|
| SS-008P012/P104-X-X | 3/4" NPT | 1.50" | 1 1/4" NPT | 1.10" | 6.90" | 1.50" | 8 GPM |
| SS-014P100/P108-X-X | 1" NPT | 1.75" | 1 1/2" NPT | 1.10" | 6.90" | 1.70" | 14 GPM |
| SS-014P100/P300-X-X | 1" NPT | 2.50" | 3" NPT | 1.50" | 4.70" | 3.20" | 14 GPM |
| SS-014S020/P300-X-X | #20 SAE | 2.50" | 3" NPT | 1.50" | 8.70" | 3.20" | 14 GPM |
| SS-021S024/P300-X-X | #24 SAE | 2.50" | 3" NPT | 1.50" | 8.70" | 3.20" | 21 GPM |
| SS-023P104/P200-X-X | 1 1/4" NPT | 2.10" | 2" NPT | 1.20" | 9.10" | 2.20" | 23 GPM |
| SS-023P104/P300-X-X | 1 1/4" NPT | 2.50" | 3" NPT | 1.50" | 6.70" | 3.20" | 23 GPM |
| SS-032P108/P300-X-X | 1 1/2" NPT | 2.50" | 3" NPT | 1.50" | 8.70" | 3.20" | 32 GPM |
| SS-053P200/P300-X-X | 2" NPT | 3.06" | 3" NPT | 1.60" | 8.80" | 3.20" | 53 GPM |
| SS-053P200/P400-X-X | 2" NPT | 4.13" | 4" NPT | 1.80" | 7.70" | 4.20" | 53 GPM |
| SS-075P208/P400-X-X | 2 1/2" NPT | 4.13" | 4" NPT | 2.10" | 9.70" | 4.20" | 75 GPM |

5

How to Order:

SS-008P012/P104-1-0

| Model Code |
|--------------|
| 008P012/P104 |
| 014P100/P108 |
| 014P100/P300 |
| 014S020/P300 |
| 021S024/P300 |
| 023P104/P200 |
| 023P104/P300 |
| 032P108/P300 |
| 053P200/P300 |
| 053P200/P400 |
| 075P208/P400 |

| Code | By-Pass Valve Setting |
|------|-----------------------|
| 0 | No By-Pass Valve |
| 3 | 3 PSI |
| 5 | 5 PSI |

| Code | Wire Cloth Mesh |
|------|-----------------|
| 1 | 100 Mesh (Std) |
| 2 | 200 Mesh |
| 3 | 30 Mesh |
| 6 | 60 Mesh |