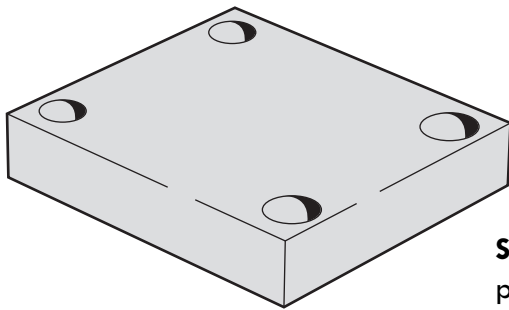


INDEX		Part Number	
For NFPA D03 Valve Stations		Aluminum	Ductile/Steel
78	All Ports Blocked	CP-ASP03_-1/Z	CP-SSP03_-1/Z
78	All Ports Blocked, Gauge Ports Provided	CP-ASP03_-1/G	CP-SSP03_-1/G
79	PR & TK Ports Connected for Series Circuit	CP-ASS03_-1/Z	CP-SSS03_-1/Z
For NFPA D05 Valve Stations		Aluminum	Ductile/Steel
80	All Ports Blocked	CP-ASP05_-1/Z	CP-SSP05_-1/Z
80	All Ports Blocked, Gauge Ports Provided	CP-ASP05_-1/G	CP-SSP05_-1/G
81	PR & TK Ports Connected for Series Circuit	CP-ASS05_-1/Z	CP-SSS05_-1/Z
For NFPA D08 Valve Stations		Aluminum	Ductile/Steel
82	All Ports Blocked	CP-ASP08_-1/Z	CP-SSP08_-1/Z
82	All Ports Blocked, Gauge Ports Provided	CP-ASP08_-1/G	CP-SSP08_-1/G
83	PR & TK Ports Connected for Series Circuit	CP-ASS08_-1/Z	CP-SSS08_-1/Z

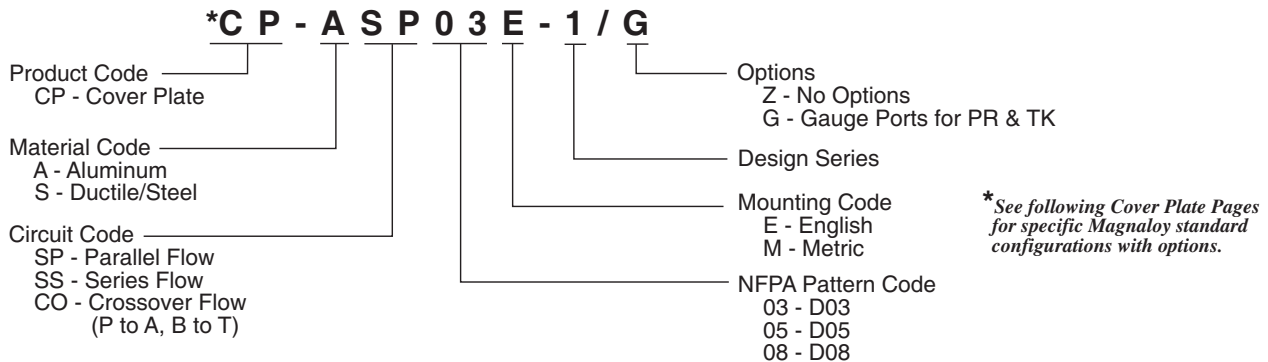


Standard Cover Plate - includes o’ring pockets on the bottom surface to provide o’ring sealing of the NFPA valve pattern. Mounting provisions include four (4) holes (6 on D08 cover plate) on the top surface of the cover plate. Mounting hardware, locating pins (w/D03 and D08 only) and viton o’ring are provided.

Options:

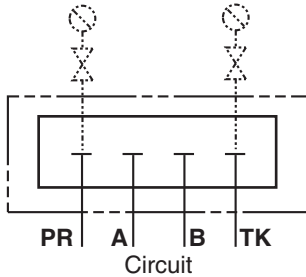
G - Gauge Ports - addition of two (2) gauge ports to the top surface of the cover plate to provide monitoring of the pressure and tank ports.

MAGNALOY COVER PLATE PART NUMBER BREAKDOWN

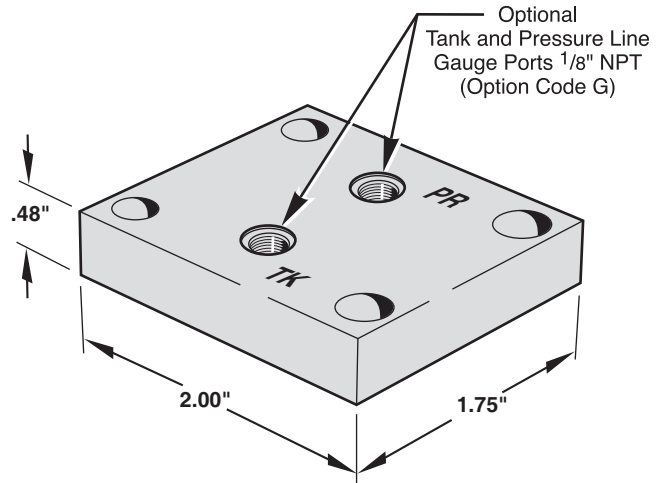


Application:

Seals and isolates all valve ports when used as substitute for directional valve. Gauge Port option provides pressure and tank line signal ports.



Note: (With Gauge Option)
Level seal pipe plugs are furnished to plug unused gauge ports.

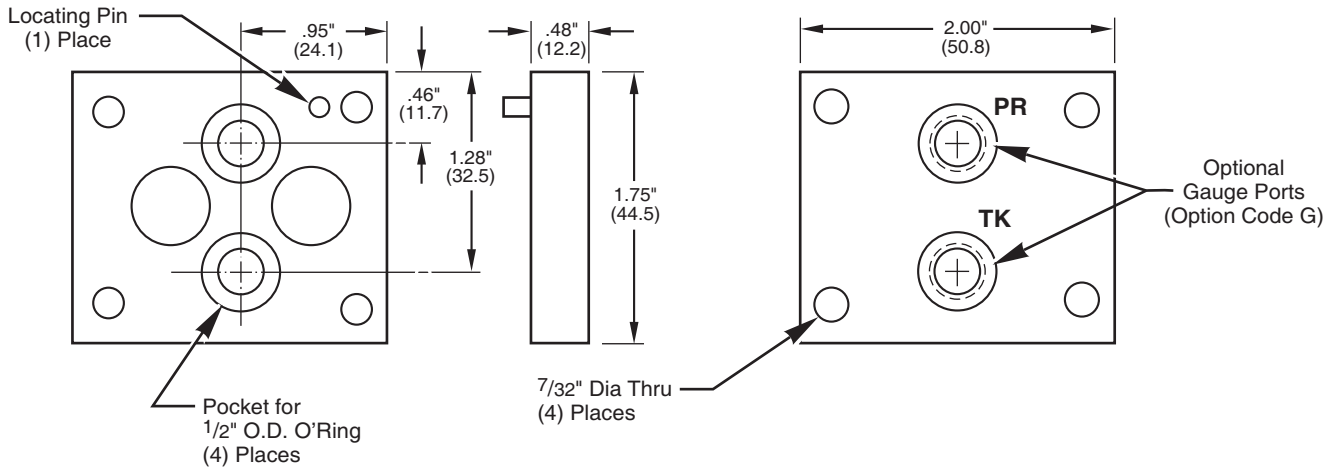


Supplied Hardware

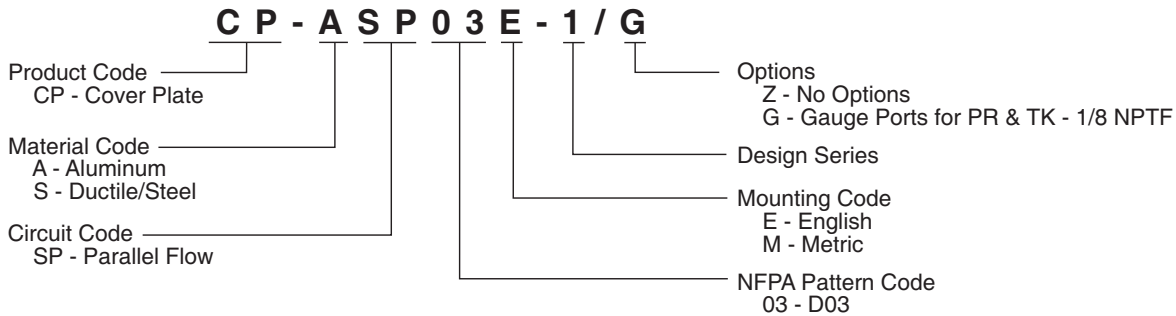
- Mounting Bolts — (4) M5-.80 x 22mm S.H.C.S. (M - Mtg.Code)
- Mounting Bolts — (4) 10-24 x 7/8" S.H.C.S. (E - Mtg.Code)
- O-Rings — Viton (4) 1/2" OD x 3/8" ID x 1/16" CS
- Pipe Plugs — (2) 1/8" NPT Level Seal (See note above)
- Locating Pin — (1) 1/8" x 3/8" Roll Pin

Part Numbers:

Aluminum	Ductile/Steel
CP-ASP03_-1/Z	CP-SSP03_-1/Z
CP-ASP03_-1/G	CP-SSP03_-1/G



MAGNALOY D03 COVER PLATE PART NUMBER BREAKDOWN

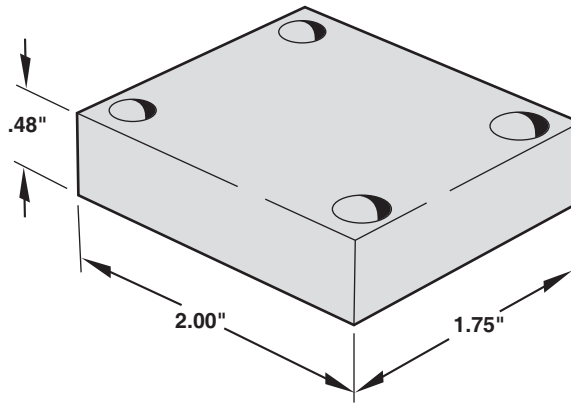
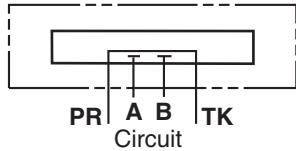


Cover Plate

D03 Cover Plate, Series Blank Off

Application:

Seals all valve ports and provides the pressure port common to tank port when used as a flush out plate or as a substitute for directional valve in a series circuit.



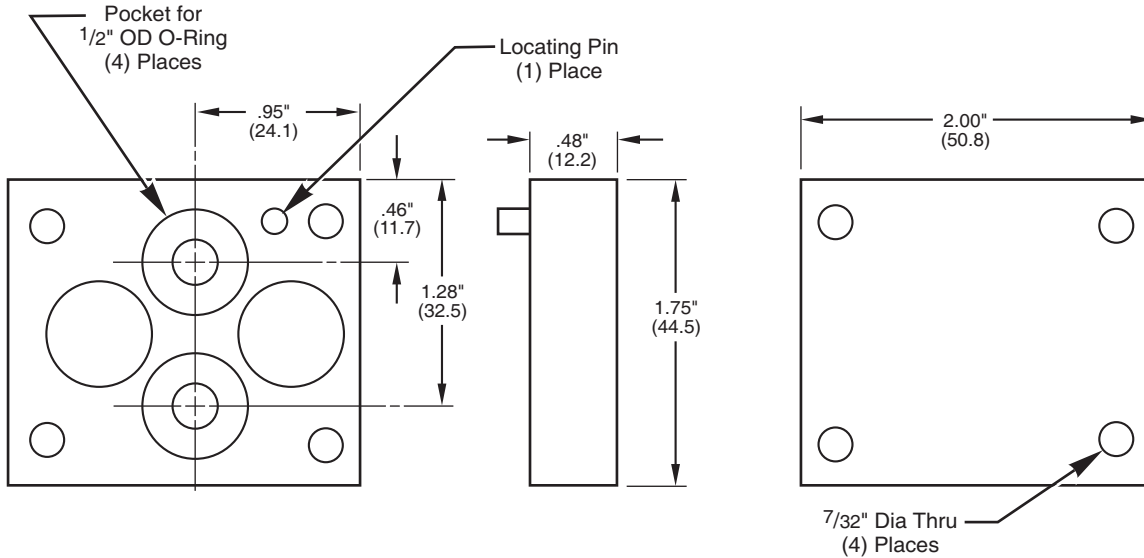
Supplied Hardware

- Mounting Bolts — (4) M5-.80 x 22mm S.H.C.S. (M - Mtg.Code)
- Mounting Bolts — (4) 10-24 x 7/8" S.H.C.S. (E - Mtg.Code)
- O-Rings — Viton (4) 1/2" OD x 3/8" ID x 1/16" CS
- Locating Pin — (1) 1/8" Dia x 3/8" Roll Pin

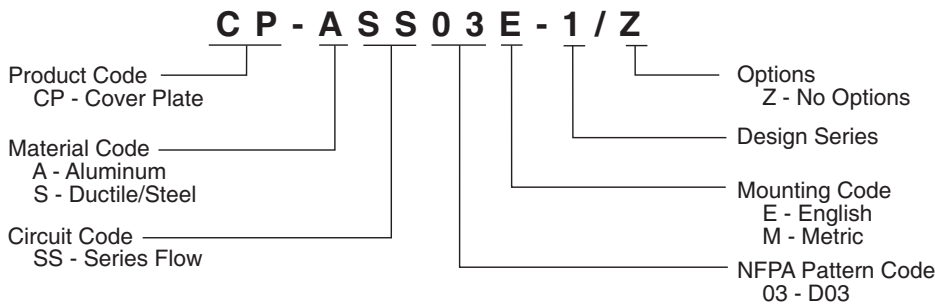
Part Numbers:

Aluminum	Ductile/Steel
CP-ASS03_-1/Z	CP-SSS03_-1/Z

3

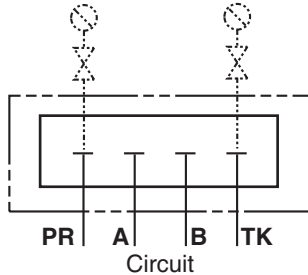


MAGNALOY D03 COVER PLATE PART NUMBER BREAKDOWN

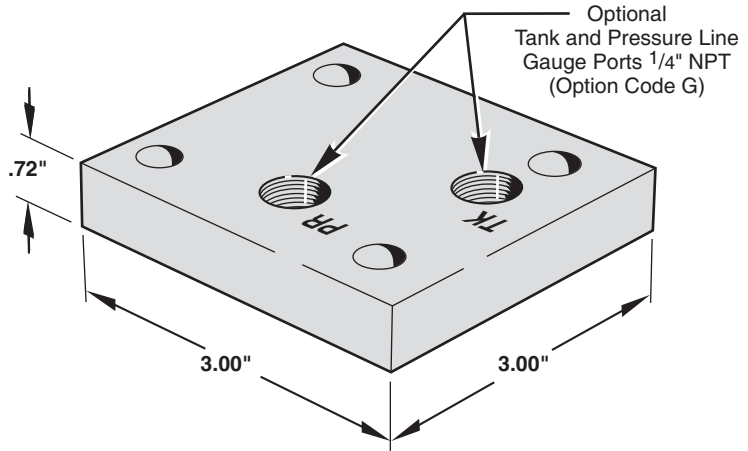


Application:

Seals and isolates all valve ports when used as substitute for directional valve. Gauge Port option provides pressure and tank line signal ports.



Note: (With Gauge Option)
Level seal pipe plugs are furnished to plug unused gauge ports.

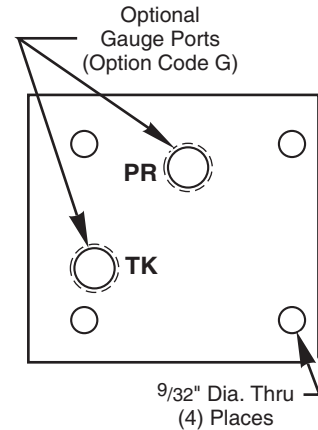
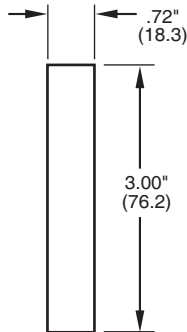
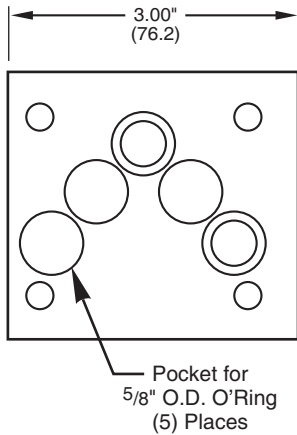


Supplied Hardware

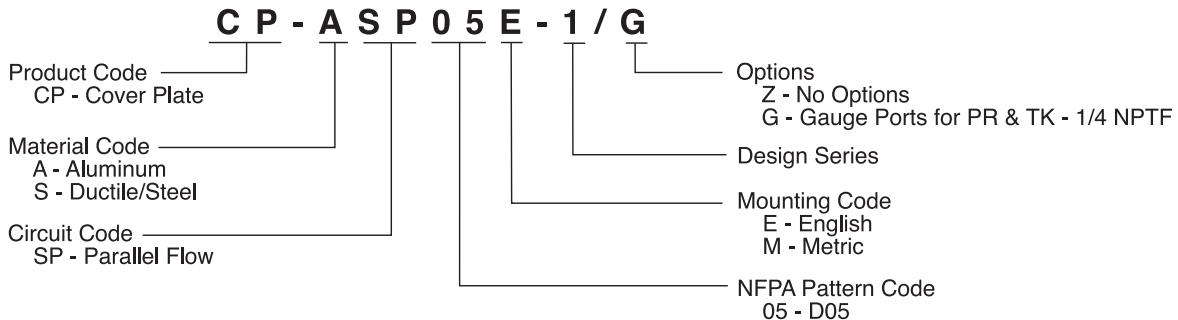
- Mounting Bolts — (4) M6-1.0 x 32mm S.H.C.S. (M - Mtg.Code)
- Mounting Bolts — (4) 1/4-20 x 1 1/4" S.H.C.S. (E - Mtg.Code)
- O-Rings — Viton (5) 5/8" OD x 1/2" ID x 1/16" CS
- Pipe Plugs — (2) 1/4" NPT Level Seal (See note above)

Part Numbers:	
Aluminum	Ductile/Steel
CP-ASP05_-1/Z	CP-SSP05_-1/Z
CP-ASP05_-1/G	CP-SSP05_-1/G

3



MAGNALOY D05 COVER PLATE PART NUMBER BREAKDOWN

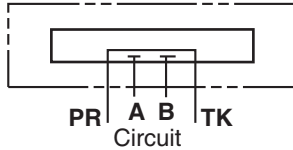
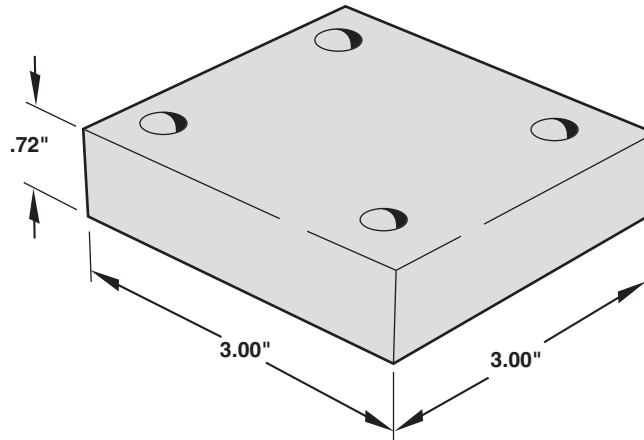


Cover Plate

D05 Cover Plate, Series Blank Off

Application:

Seals all valve ports and provides the pressure port common to tank port when used as a flush out plate or as a substitute for directional valve in a series circuit.

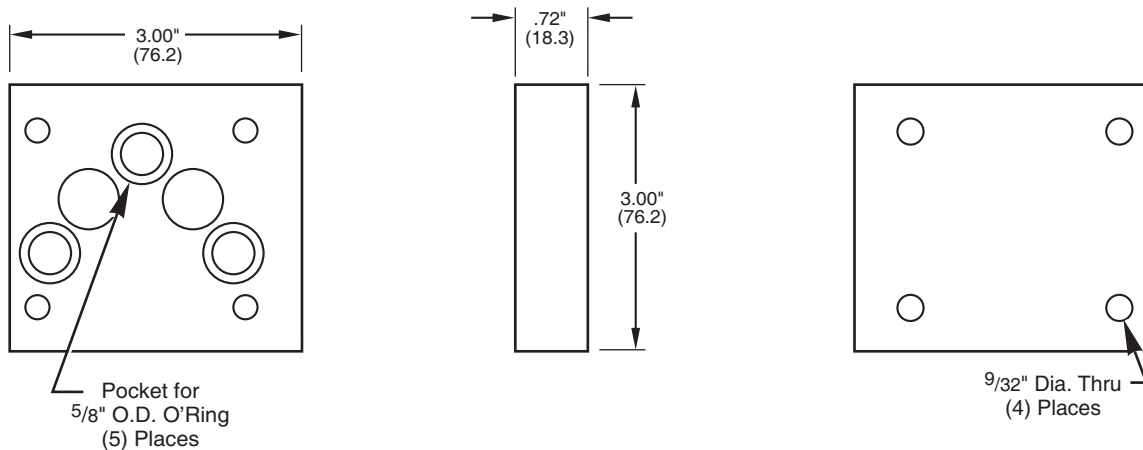


Supplied Hardware

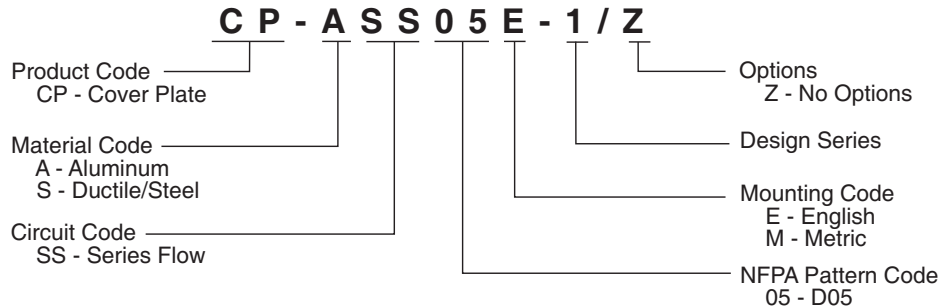
- Mounting Bolts — (4) M6-1.0 x 32mm S.H.C.S. (M - Mtg.Code)
- Mounting Bolts — (4) 1/4-20 x 1 1/4" S.H.C.S. (E - Mtg.Code)
- O-Rings — Viton (5) 5/8" OD x 1/2" ID x 1/16" CS

Part Numbers:	
Aluminum	Ductile/Steel
CP-ASS05_-1/Z	CP-SSS05_-1/Z

3

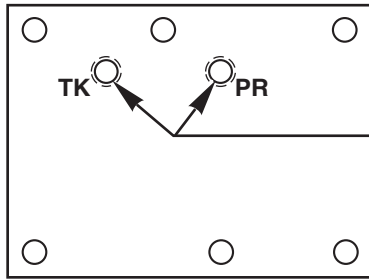
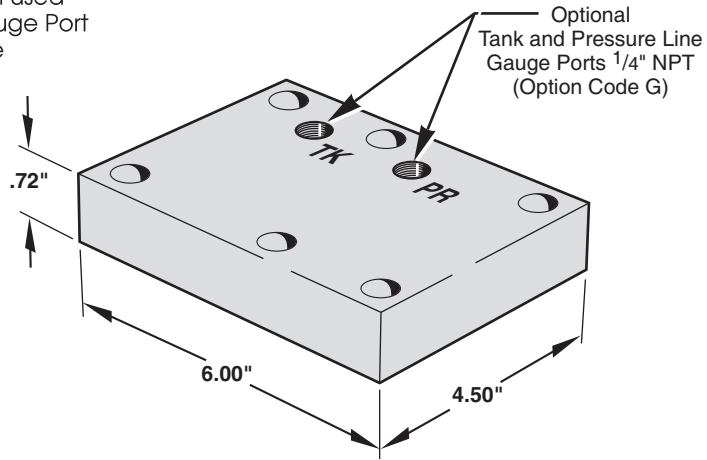
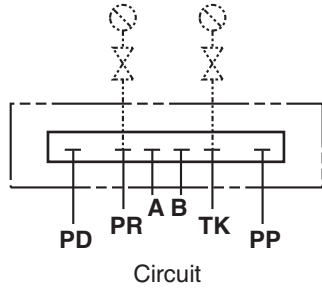


MAGNALOY D05 COVER PLATE PART NUMBER BREAKDOWN



Application:

Seals and isolates all valve ports when used as substitute for directional valve. Gauge Port option provides pressure and tank line signal ports.



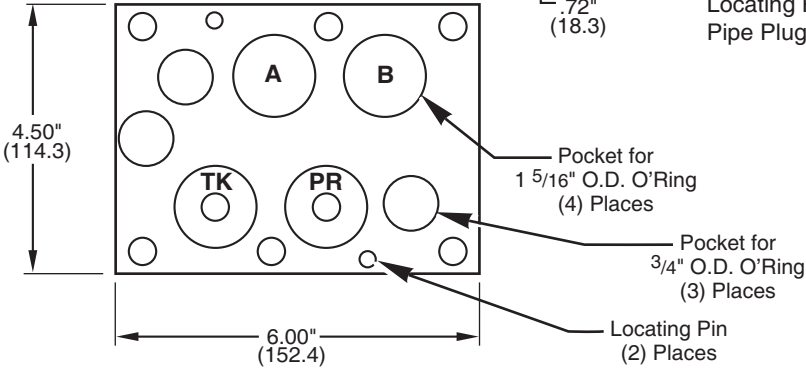
Optional Gauge Ports (Option Code G)

Part Numbers:	
Aluminum	Ductile/Steel
CP-ASP08_-1/Z	CP-SSP08_-1/Z
CP-ASP08_-1/G	CP-SSP08_-1/G

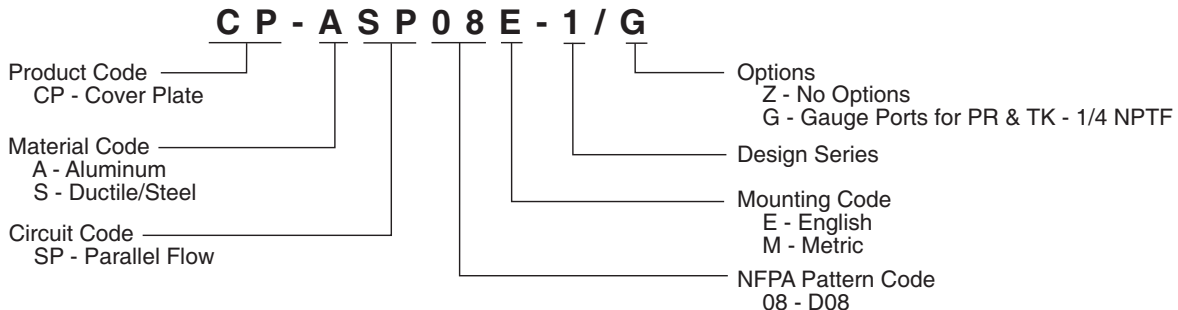
Supplied Hardware

- Mounting Bolts — (6) M12-1.75 x 38mm S.H.C.S. (M - Mtg.Code)
- Mounting Bolts — (6) 1/2-13 x 1 1/2" S.H.C.S. (E - Mtg.Code)
- O-Rings — Viton (3) 3/4" OD x 1/2" ID x 1/8" CS
- O-Rings — Viton (4) 1 5/16" OD x 1 1/16" ID x 1/8" CS
- Locating Pin — (2) 1/4" Dia. x 1/2" Roll Pin
- Pipe Plugs — (2) 1/4" NPT Level Seal

Note: (With Gauge Option)
Level Seal Pipe Plugs are furnished to plug unused gauge ports.



MAGNALOY D08 COVER PLATE PART NUMBER BREAKDOWN



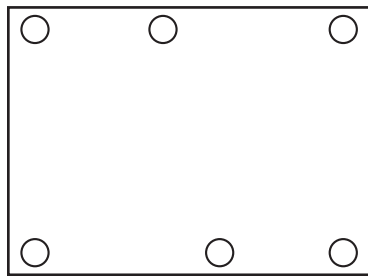
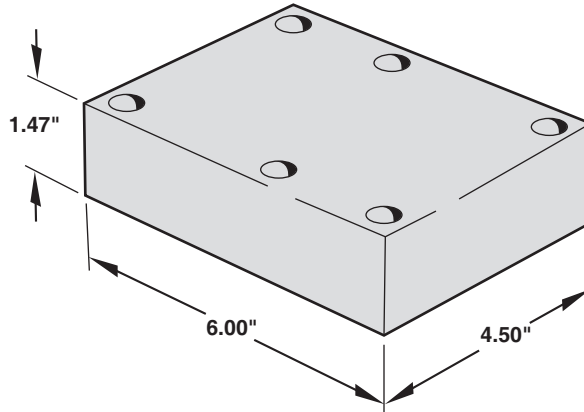
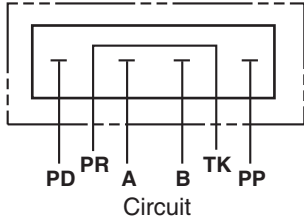
Cover Plate

D08 Cover Plate, Series Blank Off



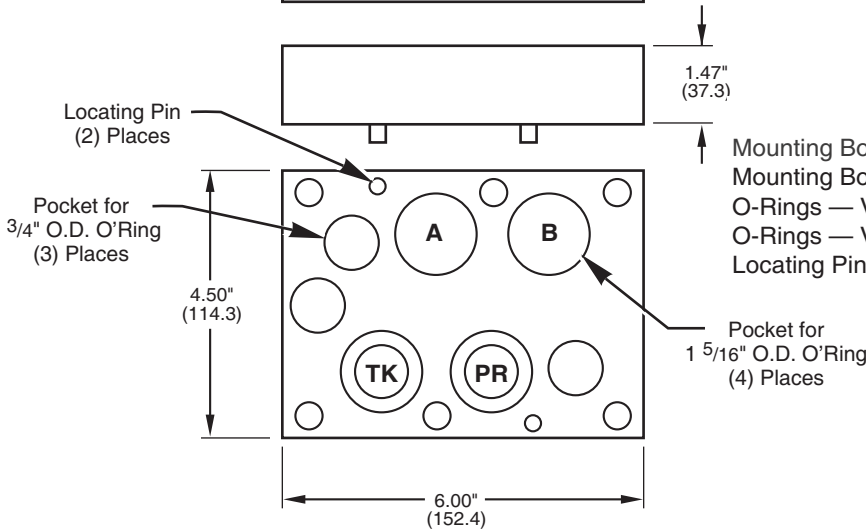
Application:

Seals all valve ports and provides the pressure port common to tank port when used as a flush out plate or as a substitute for directional valve in a series circuit.



Part Numbers:	
Aluminum	Ductile/Steel
CP-ASS08_-1/Z	CP-SSS08_-1/Z

3



Supplied Hardware

- Mounting Bolts — (6) M12-1.75 x 57mm S.H.C.S. (M - Mtg.Code)
- Mounting Bolts — (6) 1/2-13 x 2 1/4" S.H.C.S. (E - Mtg.Code)
- O-Rings — Viton (3) 3/4" OD x 1/2" ID x 1/8" CS
- O-Rings — Viton (4) 1 5/16" OD x 1 1/16" ID x 1/8" CS
- Locating Pin — (2) 1/4" Dia. x 1/2" Roll Pin

MAGNALOY D08 COVER PLATE PART NUMBER BREAKDOWN

