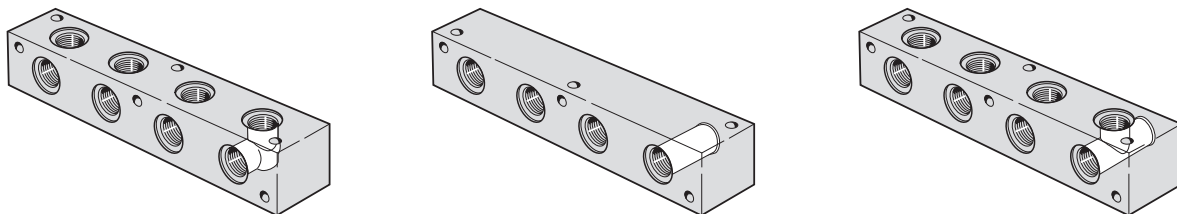


Header Bar Manifolds: Magnaloy's Header Manifolds are designed with the outlet ports connected to a common inlet port thru the center of the manifold. Header Manifolds are ordered by specifying the End Port (Inlet) Thread size and Side Port (Outlet) Thread size and the Port angle which specifies the orientation of the outlet ports. Metric End and Side Port Threads are also available (consult Factory).

HEADER MANIFOLD HARDWARE

PART NO.	MOUNTING BOLTS
H - 02P/ - - -1/Z	(2) or (3) 1/4-20 UNC x 2.00 Long S.H.C.S.
H - 04 / - - -1/Z	(2) or (3) 1/4-20 UNC x 2.00 Long S.H.C.S.
H - 06 / - - -1/Z	(2) or (3) 1/4-20 UNC x 2.25 Long S.H.C.S.
H - 08 / - - -1/Z	(2) or (3) 1/4-20 UNC x 2.25 Long S.H.C.S.
H - 12 / - - -1/Z	(2) or (3) 1/4-20 UNC x 2.50 Long S.H.C.S.
H - 16 / - - -1/Z	(2) or (3) 5/16-18 UNC x 3.00 Long S.H.C.S.
H - 20 / - - -1/Z	(2) or (3) 3/8-16 UNC x 3.50 Long S.H.C.S.
H - 24 / - - -1/Z	(2) or (3) 1/2-13 UNC x 4.50 Long S.H.C.S.
H - 32 / - - -1/Z	(2) or (3) 1/2-13 UNC x 5.00 Long S.H.C.S.

3

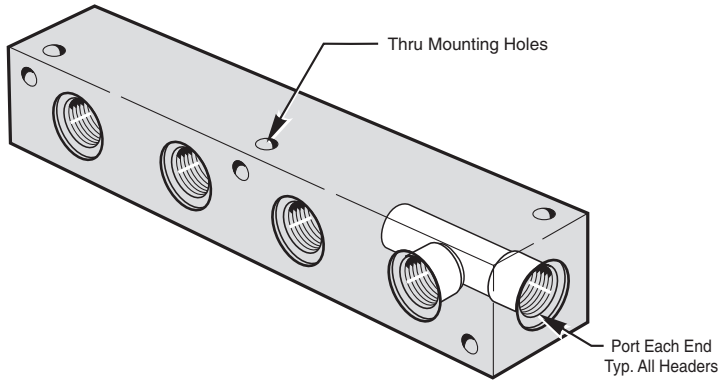


Junction Bar Manifolds: Magnaloy's Junction Manifolds are designed with varying size Inlet (End) and Outlet (Side) ports to accommodate altering piping sizes and/or directions. Junction Manifolds are ordered by specifying the Inlet Port Thread size and the Outlet Port Thread size and the Port Angle which specifies the orientation of the outlet ports. Metric Inlet and Outlet Port Threads are also available (consult Factory).

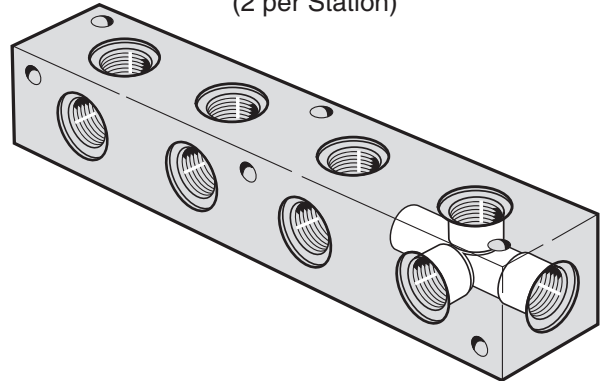
JUNCTION MANIFOLD HARDWARE

PART NO.	MOUNTING BOLTS
J - 000/01P- -1/Z	(2) or (3) 1/4-20 UNC x 2.00 Long S.H.C.S.
J - 000/02P- -1/Z	(2) or (3) 1/4-20 UNC x 2.00 Long S.H.C.S.
J - 000/04 - -1/Z	(2) or (3) 1/4-20 UNC x 2.25 Long S.H.C.S.
J - 000/06 - -1/Z	(2) or (3) 1/4-20 UNC x 2.25 Long S.H.C.S.
J - 000/08 - -1/Z	(2) or (3) 1/4-20 UNC x 2.50 Long S.H.C.S.
J - 000/12 - -1/Z	(2) or (3) 5/16-18 UNC x 3.00 Long S.H.C.S.
J - 000/16 - -1/Z	(2) or (3) 3/8-16 UNC x 3.50 Long S.H.C.S.
J - 000/20 - -1/Z	(2) or (3) 1/2-13 UNC x 4.50 Long S.H.C.S.
J - 000/24 - -1/Z	(2) or (3) 1/2-13 UNC x 5.00 Long S.H.C.S.

HEADER MANIFOLD - 0°
Connections Out One Side Only
(1 per Station)

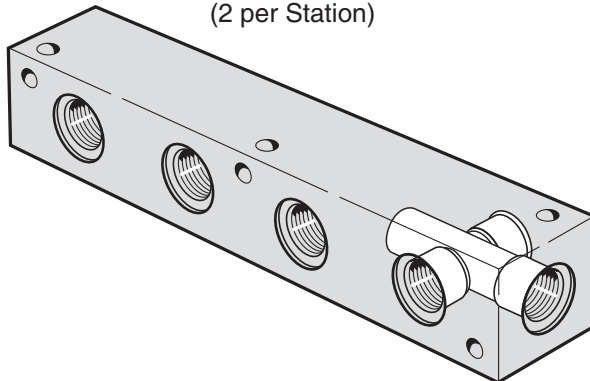


HEADER MANIFOLD - 90°
Side Connections at 90°
(2 per Station)

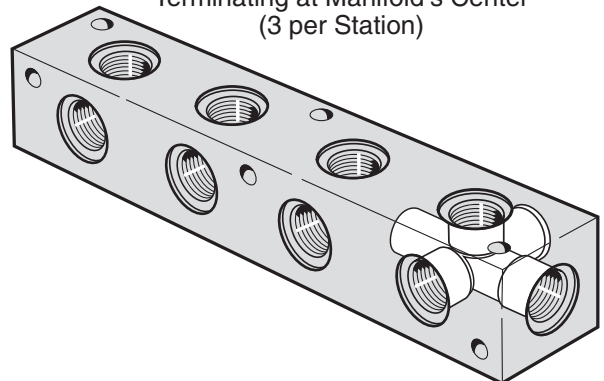


3

HEADER MANIFOLD - 180°
Side Connection Thru
(2 per Station)



HEADER MANIFOLD - 270°
3 Side Connections
Terminating at Manifold's Center
(3 per Station)



MAGNALOY HEADER MANIFOLD - PART NUMBER BREAKDOWN

H A - 0 0 0 8 S / 0 8 S - 0 4 - 1 / Z

Product Code
H - Header Manifold

Material Code
A - Aluminum
S - Ductile/Steel

Port Angles
00 - 0°
09 - 90°
18 - 180°
27 - 270°

End Ports * (Inlet)
##S - SAE
##P - Pipe

* See size charts for standard sizes and porting. See Page 97 for Mounting Hardware.

01P - 1/16 NPT	04S - #4 SAE
02P - 1/8 NPT	06S - #6 SAE
04P - 1/4 NPT	08S - #8 SAE
06P - 3/8NPT	12S - #12 SAE
08P - 1/2 NPT	16S - #16 SAE
12P - 3/4 NPT	20S - #20 SAE
16P - 1" NPT	24S - #24 SAE
20P - 1 1/4 NPT	32S - #32 SAE
24P - 1 1/2 NPT	
32P - 2" NPT	

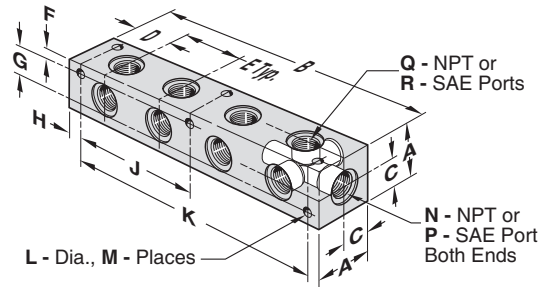
Options
Z - No Options

Design Series

Number of Stations

Side Ports * (Outlet)
##S - SAE
##P - NPTF

Connection Manifold Header Bar Manifolds



01P SIDE PORT

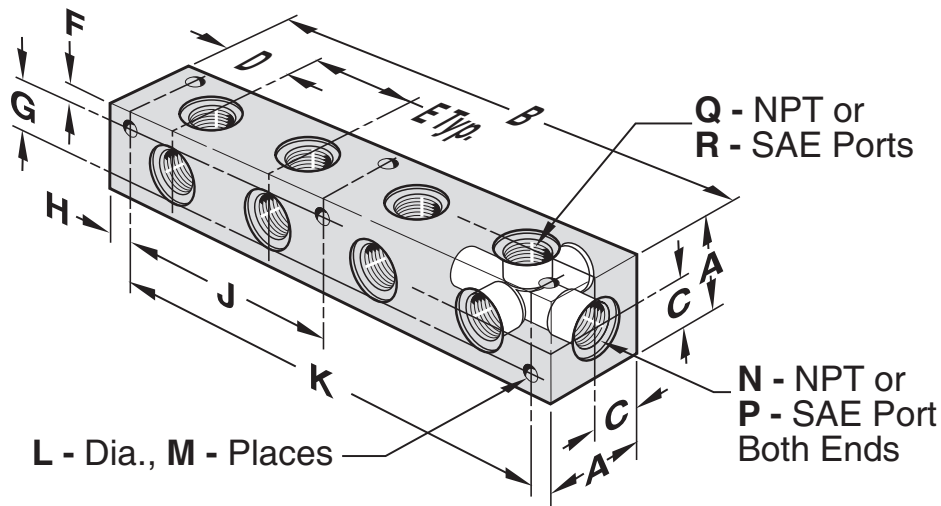
PART NO.	A	B	C	D	E	F	G	H	J	K	L	M	N	P	Q	R
H - _ 02P/01P-02-1/Z		3.250							--	2.625		4				
H - _ 02P/01P-03-1/Z		4.500							--	3.875		4				
H - _ 02P/01P-04-1/Z		5.750							--	5.125		4				
H - _ 02P/01P-05-1/Z		7.000							--	6.375		4				
H - _ 02P/01P-06-1/Z	1.500	8.250	0.750	1.000	1.250	0.250	1.000	0.313	3.813	7.625	0.281	6	1/8	--	1/16	--
H - _ 02P/01P-07-1/Z		9.500							3.813	8.875		6				
H - _ 02P/01P-08-1/Z		10.750							5.063	10.125		6				
H - _ 02P/01P-09-1/Z		12.000							5.063	11.375		6				
H - _ 02P/01P-10-1/Z		13.250							6.313	12.625		6				

02P SIDE PORT

PART NO.	A	B	C	D	E	F	G	H	J	K	L	M	N	P	Q	R
H - _ 02P/02P-02-1/Z		3.625							--	3.000		4				
H - _ 02P/02P-03-1/Z		5.000							--	4.375		4				
H - _ 02P/02P-04-1/Z		6.375							--	5.750		4				
H - _ 02P/02P-05-1/Z		7.750							--	7.125		4				
H - _ 02P/02P-06-1/Z	1.500	9.125	0.750	1.125	1.375	0.250	1.000	0.313	4.250	8.500	0.281	6	1/8	--	1/8	--
H - _ 02P/02P-07-1/Z		10.500							4.250	9.875		6				
H - _ 02P/02P-08-1/Z		11.875							5.625	11.250		6				
H - _ 02P/02P-09-1/Z		13.250							5.625	12.625		6				
H - _ 02P/02P-10-1/Z		14.625							7.000	14.000		6				

PART NO.	A	B	C	D	E	F	G	H	J	K	L	M	N	P	Q	R
H - _ 04 /02P-02-1/Z		3.625							--	3.000		4				
H - _ 04 /02P-03-1/Z		5.000							--	4.375		4				
H - _ 04 /02P-04-1/Z		6.375							--	5.750		4				
H - _ 04 /02P-05-1/Z		7.750							--	7.125		4				
H - _ 04 /02P-06-1/Z	1.500	9.125	0.750	1.125	1.375	0.250	1.000	0.313	4.250	8.500	0.281	6	1/4	-4	1/8	--
H - _ 04 /02P-07-1/Z		10.500							4.250	9.875		6				
H - _ 04 /02P-08-1/Z		11.875							5.625	11.250		6				
H - _ 04 /02P-09-1/Z		13.250							5.625	12.625		6				
H - _ 04 /02P-10-1/Z		14.625							7.000	14.000		6				

PART NO.	A	B	C	D	E	F	G	H	J	K	L	M	N	P	Q	R
H - _ 06 /02P-02-1/Z		3.625							--	3.000		4				
H - _ 06 /02P-03-1/Z		5.000							--	4.375		4				
H - _ 06 /02P-04-1/Z		6.375							--	5.750		4				
H - _ 06 /02P-05-1/Z		7.750							--	7.125		4				
H - _ 06 /02P-06-1/Z	1.750	9.125	0.875	1.125	1.375	0.250	1.250	0.313	4.250	8.500	0.281	6	3/8	-6	1/8	--
H - _ 06 /02P-07-1/Z		10.500							4.250	9.875		6				
H - _ 06 /02P-08-1/Z		11.875							5.625	11.250		6				
H - _ 06 /02P-09-1/Z		13.250							5.625	12.625		6				
H - _ 06 /02P-10-1/Z		14.625							7.000	14.000		6				



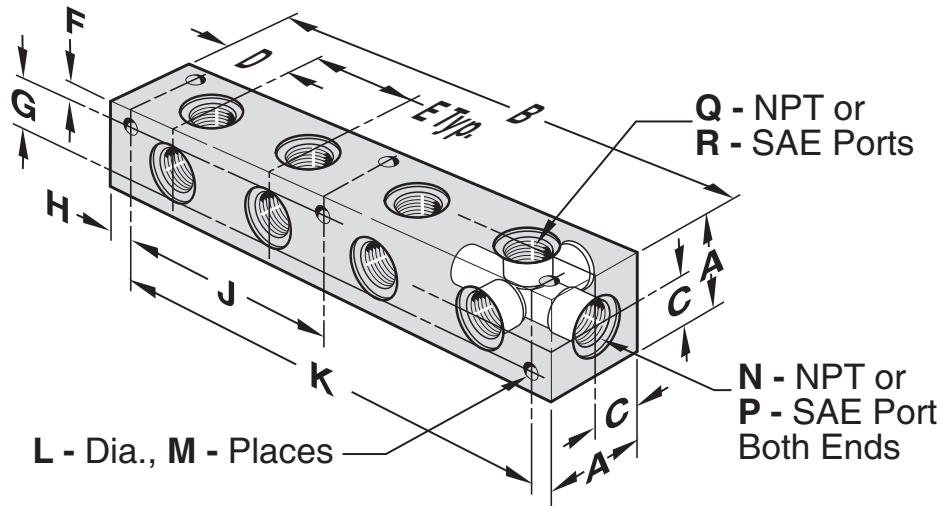
3

04 SIDE PORT

PART NO.	A	B	C	D	E	F	G	H	J	K	L	M	N	P	Q	R
H - _ 04 /04 -02-1/Z		3.875							--	3.250		4				
H - _ 04 /04 -03-1/Z		5.625							--	5.000		4				
H - _ 04 /04 -04-1/Z		7.375							--	6.750		4				
H - _ 04 /04 -05-1/Z		9.125							--	8.500		4				
H - _ 04 /04 -06-1/Z	1.500	10.875	0.750	1.063	1.750	0.250	1.000	0.313	5.125	10.250	0.281	6	1/4	-4	1/4	-4
H - _ 04 /04 -07-1/Z		12.625							5.125	12.000		6				
H - _ 04 /04 -08-1/Z		14.375							6.875	13.750		6				
H - _ 04 /04 -09-1/Z		16.125							6.875	15.500		6				
H - _ 04 /04 -10-1/Z		17.875							8.625	17.250		6				

PART NO.	A	B	C	D	E	F	G	H	J	K	L	M	N	P	Q	R
H - _ 06 /04 -02-1/Z		3.875							--	3.250		4				
H - _ 06 /04 -03-1/Z		5.625							--	5.000		4				
H - _ 06 /04 -04-1/Z		7.375							--	6.750		4				
H - _ 06 /04 -05-1/Z		9.125							--	8.500		4				
H - _ 06 /04 -06-1/Z	1.750	10.875	0.875	1.063	1.750	0.250	1.250	0.313	5.125	10.250	0.281	6	3/8	-6	1/4	-4
H - _ 06 /04 -07-1/Z		12.625							5.125	12.000		6				
H - _ 06 /04 -08-1/Z		14.375							6.875	13.750		6				
H - _ 06 /04 -09-1/Z		16.125							6.875	15.500		6				
H - _ 06 /04 -10-1/Z		17.875							8.625	17.250		6				

PART NO.	A	B	C	D	E	F	G	H	J	K	L	M	N	P	Q	R
H - _ 08 /04 -02-1/Z		3.875							--	3.250		4				
H - _ 08 /04 -03-1/Z		5.625							--	5.000		4				
H - _ 08 /04 -04-1/Z		7.375							--	6.750		4				
H - _ 08 /04 -05-1/Z		9.125							--	8.500		4				
H - _ 08 /04 -06-1/Z	1.750	10.875	0.875	1.063	1.750	0.250	1.250	0.313	5.125	10.250	0.281	6	1/2	-8	1/4	-4
H - _ 08 /04 -07-1/Z		12.625							5.125	12.000		6				
H - _ 08 /04 -08-1/Z		14.375							6.875	13.750		6				
H - _ 08 /04 -09-1/Z		16.125							6.875	15.500		6				
H - _ 08 /04 -10-1/Z		17.875							8.625	17.250		6				



06_SIDE PORT

3

PART NO.	A	B	C	D	E	F	G	H	J	K	L	M	N	P	Q	R
H - _06 /06 -02-1/Z		5.000							--	4.375		4				
H - _06 /06 -03-1/Z		7.000							--	6.375		4				
H - _06 /06 -04-1/Z		9.000							--	8.375		4				
H - _06 /06 -05-1/Z		11.000							--	10.375		4				
H - _06 /06 -06-1/Z	1.750	13.000	0.875	1.500	2.000	0.250	1.250	0.313	6.188	12.375	0.281	6	3/8	-6	3/8	-6
H - _06 /06 -07-1/Z		15.000							6.188	14.375		6				
H - _06 /06 -08-1/Z		17.000							8.188	16.375		6				
H - _06 /06 -09-1/Z		19.000							8.188	18.375		6				
H - _06 /06 -10-1/Z		21.000							10.188	20.375		6				

PART NO.	A	B	C	D	E	F	G	H	J	K	L	M	N	P	Q	R
H - _08 /06 -02-1/Z		5.000							--	4.375		4				
H - _08 /06 -03-1/Z		7.000							--	6.375		4				
H - _08 /06 -04-1/Z		9.000							--	8.375		4				
H - _08 /06 -05-1/Z		11.000							--	10.375		4				
H - _08 /06 -06-1/Z	1.750	13.000	0.875	1.500	2.000	0.250	1.250	0.313	6.188	12.375	0.281	6	1/2	-8	3/8	-6
H - _08 /06 -07-1/Z		15.000							6.188	14.375		6				
H - _08 /06 -08-1/Z		17.000							8.188	16.375		6				
H - _08 /06 -09-1/Z		19.000							8.188	18.375		6				
H - _06 /06 -10-1/Z		21.000							10.188	20.375		6				

PART NO.	A	B	C	D	E	F	G	H	J	K	L	M	N	P	Q	R
H - _12 /06 -02-1/Z		5.000							--	4.375		4				
H - _12 /06 -03-1/Z		7.000							--	6.375		4				
H - _12 /06 -04-1/Z		9.000							--	8.375		4				
H - _12 /06 -05-1/Z		11.000							--	10.375		4				
H - _12 /06 -06-1/Z	2.000	13.000	1.000	1.500	2.000	0.250	1.500	0.313	6.188	12.375	0.281	6	3/4	-12	3/8	-6
H - _12 /06 -07-1/Z		15.000							6.188	14.375		6				
H - _12 /06 -08-1/Z		17.000							8.188	16.375		6				
H - _12 /06 -09-1/Z		19.000							8.188	18.375		6				
H - _12 /06 -10-1/Z		21.000							10.188	20.375		6				



08_ SIDE PORT

PART NO.	A	B	C	D	E	F	G	H	J	K	L	M	N	P	Q	R	
H - _ 08 /08 -02-1/Z	1.750	5.375							--	4.750	0.281	4					
H - _ 08 /08 -03-1/Z		7.750							--	7.125		4					
H - _ 08 /08 -04-1/Z		10.125							--	9.500		4					
H - _ 08 /08 -05-1/Z		12.500	0.875	1.500	2.375	0.250	1.250	0.313	--	11.875		4	1/2	-8	1/2	-8	
H - _ 08 /08 -06-1/Z		14.875							7.130	14.250		6					
H - _ 08 /08 -07-1/Z		17.250							7.130	16.625		6					
H - _ 08 /08 -08-1/Z		19.625							9.500	19.000		6					
H - _ 08 /08 -09-1/Z		22.000							9.500	21.375		6					

PART NO.	A	B	C	D	E	F	G	H	J	K	L	M	N	P	Q	R	
H - _ 12 /08 -02-1/Z	2.000	5.375							--	4.750	0.281	4					
H - _ 12 /08 -03-1/Z		7.750							--	7.125		4					
H - _ 12 /08 -04-1/Z		10.125							--	9.500		4					
H - _ 12 /08 -05-1/Z		12.500	1.000	1.500	2.375	0.250	1.500	0.313	--	11.875		4	3/4	-12	1/2	-8	
H - _ 12 /08 -06-1/Z		14.875							7.125	14.250		6					
H - _ 12 /08 -07-1/Z		17.250							7.125	16.625		6					
H - _ 12 /08 -08-1/Z		19.625							9.500	19.000		6					
H - _ 12 /08 -09-1/Z		22.000							9.500	21.375		6					

PART NO.	A	B	C	D	E	F	G	H	J	K	L	M	N	P	Q	R	
H - _ 16 /08 -02-1/Z	2.500	5.375							--	4.625	0.344	4					
H - _ 16 /08 -03-1/Z		7.750							--	7.000		4					
H - _ 16 /08 -04-1/Z		10.125							--	9.375		4					
H - _ 16 /08 -05-1/Z		12.500	1.250	1.500	2.375	0.280	1.940	0.375	--	11.750		4	1	-16	1/2	-8	
H - _ 16 /08 -06-1/Z		14.875							7.063	14.125		6					
H - _ 16 /08 -07-1/Z		17.250							7.063	16.500		6					
H - _ 16 /08 -08-1/Z		19.625							9.438	18.875		6					
H - _ 16 /08 -09-1/Z		22.000							9.438	21.250		6					

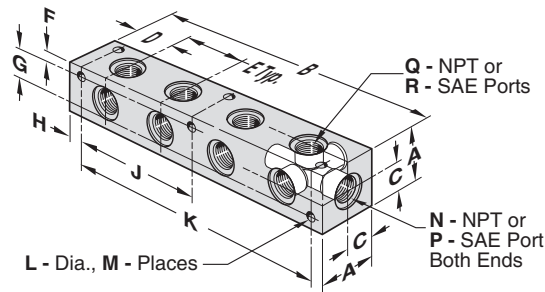
12_ SIDE PORT

PART NO.	A	B	C	D	E	F	G	H	J	K	L	M	N	P	Q	R	
H - _ 12 /12 -02-1/Z	2.000	6.875							--	6.250	0.281	4					
H - _ 12 /12 -03-1/Z		10.125							--	9.500		4					
H - _ 12 /12 -04-1/Z		13.375	1.000	1.813	3.250	0.250	1.500	0.313	--	12.750		4	3/4	-12	3/4	-12	
H - _ 12 /12 -05-1/Z		16.625							--	16.000		4					
H - _ 12 /12 -06-1/Z		19.875							9.625	19.250		6					
H - _ 12 /12 -07-1/Z		23.125							9.625	22.500		6					

PART NO.	A	B	C	D	E	F	G	H	J	K	L	M	N	P	Q	R	
H - _ 16 /12 -02-1/Z	2.500	6.875							--	6.125	0.344	4					
H - _ 16 /12 -03-1/Z		10.125							--	9.375		4					
H - _ 16 /12 -04-1/Z		13.375	1.250	1.813	3.250	0.280	1.940	0.375	--	12.625		4	1	-16	3/4	-12	
H - _ 16 /12 -05-1/Z		16.625							--	15.875		4					
H - _ 16 /12 -06-1/Z		19.875							9.563	19.125		6					
H - _ 16 /12 -07-1/Z		23.125							9.563	22.375		6					

PART NO.	A	B	C	D	E	F	G	H	J	K	L	M	N	P	Q	R	
H - _ 20 /12 -02-1/Z	3.000	6.875							--	6.125	0.406	4					
H - _ 20 /12 -03-1/Z		10.125							--	9.375		4					
H - _ 20 /12 -04-1/Z		13.375	1.500	1.813	3.250	0.344	2.312	0.375	--	12.625		4	1-1/4	-20	3/4	-12	
H - _ 20 /12 -05-1/Z		16.625							--	15.875		4					
H - _ 20 /12 -06-1/Z		19.875							9.563	19.125		6					
H - _ 20 /12 -07-1/Z		23.125							9.563	22.375		6					

3



16_ SIDE PORT

PART NO.	A	B	C	D	E	F	G	H	J	K	L	M	N	P	Q	R
H - _16 /16 -02-1/Z		7.750							--	7.000		4				
H - _16 /16 -03-1/Z		11.500							--	10.750		4				
H - _16 /16 -04-1/Z	2.500	15.250	1.250	2.000	3.750	0.280	1.940	0.375	--	14.500	0.344	4	1	-16	1	-16
H - _16 /16 -05-1/Z		19.000							7.250	18.250		6				
H - _16 /16 -06-1/Z		22.750							11.000	22.000		6				

PART NO.	A	B	C	D	E	F	G	H	J	K	L	M	N	P	Q	R
H - _20 /16 -02-1/Z		7.750							--	7.000		4				
H - _20 /16 -03-1/Z		11.500							--	10.750		4				
H - _20 /16 -04-1/Z	3.000	15.250	1.500	2.000	3.750	0.344	2.312	0.375	--	14.500	0.406	4	1-1/4	-20	1	-16
H - _20 /16 -05-1/Z		19.000							7.250	18.250		6				
H - _20 /16 -06-1/Z		22.750							11.000	22.000		6				

PART NO.	A	B	C	D	E	F	G	H	J	K	L	M	N	P	Q	R
H - _24 /16 -02-1/Z		7.750							--	6.750		4				
H - _24 /16 -03-1/Z		11.500							--	10.500		4				
H - _24 /16 -04-1/Z	3.500	15.250	1.750	2.000	3.750	0.406	2.688	0.500	--	14.250	0.531	4	1-1/2	-24	1	-16
H - _24 /16 -05-1/Z		19.000							7.125	18.000		6				
H - _24 /16 -06-1/Z		22.750							10.875	21.750		6				

20_ SIDE PORT

PART NO.	A	B	C	D	E	F	G	H	J	K	L	M	N	P	Q	R
H - _20 /20 -02-1/Z		8.500							--	7.750		4				
H - _20 /20 -03-1/Z		12.500							--	11.750		4				
H - _20 /20 -04-1/Z	3.000	16.500	1.500	2.250	4.000	0.344	2.312	0.375	--	15.750	0.406	4	1-1/4	-20	1-1/4	-20
H - _20 /20 -05-1/Z		20.500							7.875	19.750		6				

PART NO.	A	B	C	D	E	F	G	H	J	K	L	M	N	P	Q	R
H - _24 /20 -02-1/Z		8.500							--	7.500		4				
H - _24 /20 -03-1/Z		12.500							--	11.500		4				
H - _24 /20 -04-1/Z	3.500	16.500	1.750	2.250	4.000	0.406	2.688	0.500	--	15.500	0.531	4	1-1/2	-24	1-1/4	-20
H - _24 /20 -05-1/Z		20.500							7.750	19.500		6				

24_ SIDE PORT

PART NO.	A	B	C	D	E	F	G	H	J	K	L	M	N	P	Q	R
H - _24 /24 -02-1/Z		10.000							--	9.000		4				
H - _24 /24 -03-1/Z	3.500	15.000	1.750	2.500	5.000	0.406	2.688	0.500	--	14.000	0.531	4	1-1/2	-24	1-1/2	-24
H - _24 /24 -04-1/Z		20.000							9.500	19.000		6				

PART NO.	A	B	C	D	E	F	G	H	J	K	L	M	N	P	Q	R
H - _32 /24 -02-1/Z		10.000							--	9.000		4				
H - _32 /24 -03-1/Z	4.000	15.000	2.000	2.500	5.000	0.406	3.188	0.500	--	14.000	0.531	4	2	-32	1-1/2	-24
H - _32 /24 -04-1/Z		20.000							9.500	19.000		6				