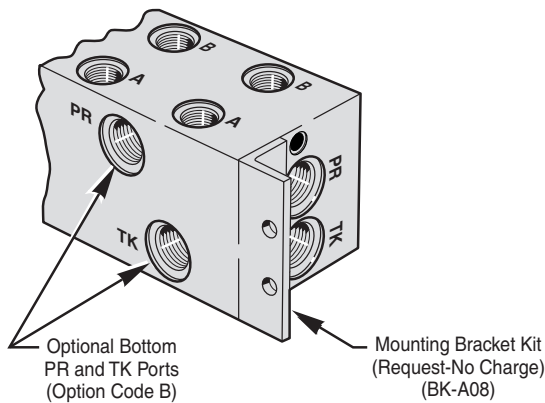


### Features & Advantages

- + Available with SAE, NPT, BSPP, BSPT or Metric Threads to cover a wide range of applications.
- + Large pressure and tank passage for maximum flow capacity.
- + Common pilot drain connection.
- + Standard end mount and through holes. Mounting Bracket kit BK-A08 is supplied (no charge) as an alternate end mounting style.
- + Options include relief valve cavities, bottom PR & TK ports, and gauge port and PR & TK isolation.

3

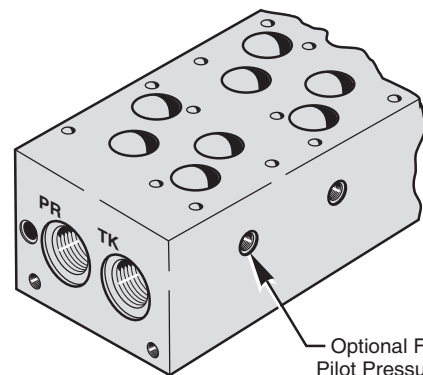
### Standard Mounting Bracket Kit



Optional Bottom PR and TK Ports (Option Code B)

Mounting Bracket Kit (Request-No Charge) (BK-A08)

### Optional Pilot Pressure Ports



Optional Feature Pilot Pressure Ports (Option Code P)

## MAGNALOY D08 PARALLEL BAR MANIFOLD PART NUMBER BREAKDOWN

**B M - A S P 0 8 P 5 - 0 2 - 0 / B**

Product Code  
BM-Inline Bar Manifold

Material Code  
A - Aluminum  
S - Ductile/Steel

Circuit Code  
SP - Standard Flow Parallel Circuit

NFPA Pattern Code  
08 - D08

Thread Code  
P - NPTF Pipe  
S - SAE O'Ring  
B - BSPP British Parallel  
T - BSPT British Taper  
M - Metric ISO 6149

(See Port Chart for Standard Port Sizes)

#### Options

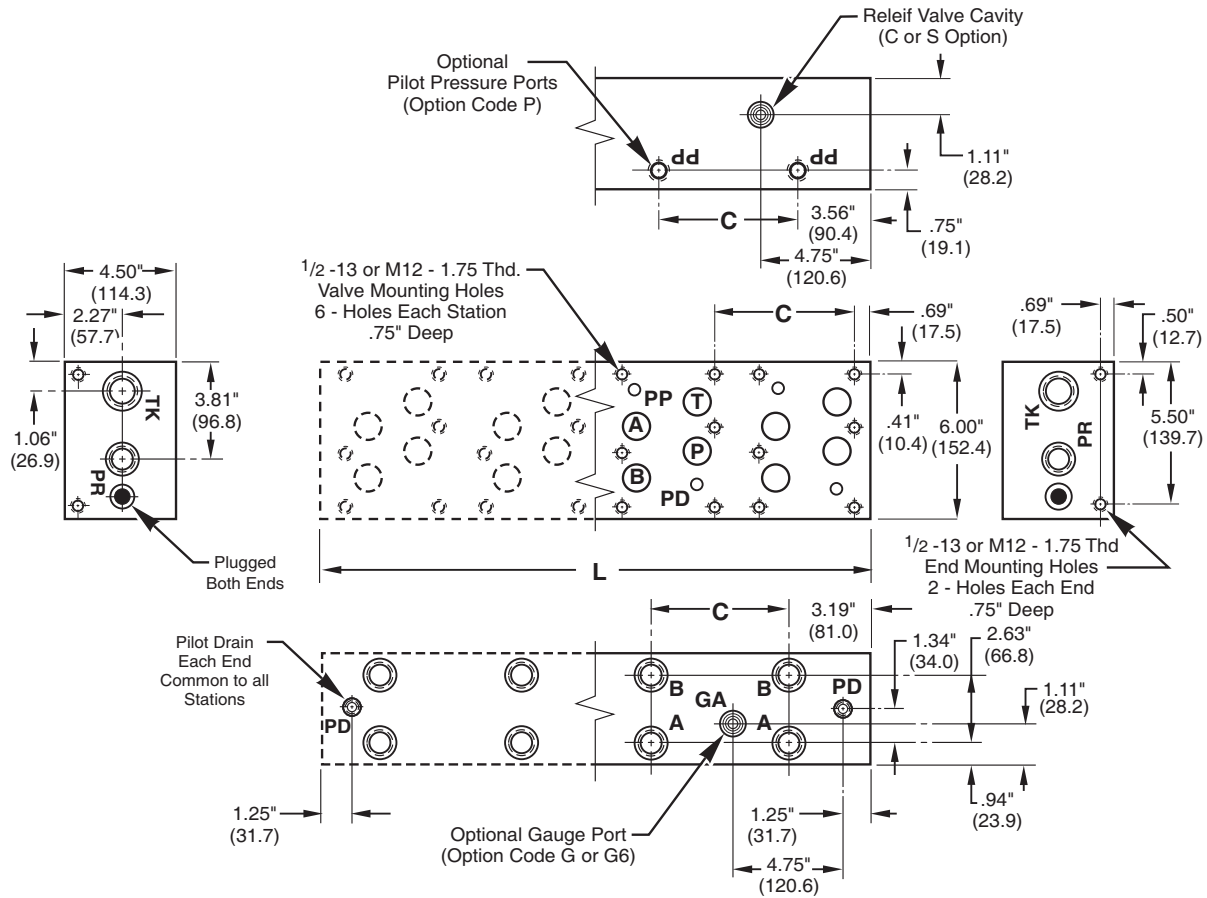
- Z - No Option
- B - Bottom PR-TK Ports
- C - Relief Valve Cavity C-10-2
- G - Gauge Port #4 SAE or 1/4 NPTF
- G6 - Gauge Port #6 SAE
- P - Pilot Pressures (Individual Per Station)
- S - Relief Valve Cavity Sun T-3A
- H - Hard Metric Threading (See Note 2, page 34)
- M - Soft Metric Threading (See Note 3, page 34)
- I - Isolation Plug<sup>1</sup> - List as last option designated (See Note 1, page 34)

#### Design Series

Number of Valve Stations  
01 - 1 station  
02 - 2 stations  
etc.

Valve Spacing Code  
5 - 5.25"  
7 - 7.00"

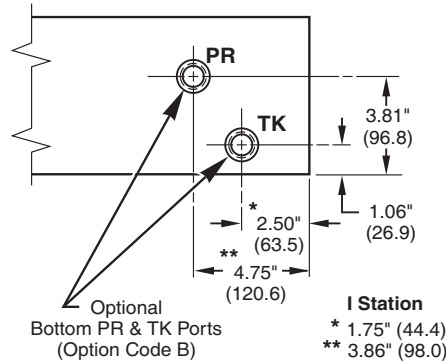
# Inline Bar Manifold D08 Bar Manifold - Parallel



3

No. of Stations	C		L	
	Valve Spacing		Valve Spacing	
	5.25"	7.00"	5.25"	7.00"
1	--	--	5.56"	--
2	5.25"	7.00"	10.81"	12.56"
3	5.25"	7.00"	16.06"	19.56"
4	5.25"	7.00"	21.31"	26.56"
5	5.25"	7.00"	26.56"	--
6	5.25"	7.00"	31.81"	--

Additional stations available, consult factory.



### Port Size Chart

Thread Code	PR	TK	A & B	PD & Pilot Pressure Ports	Optional Gauge Port
P	1" NPT	1 1/4" NPT	1" NPT	3/8" NPT	1/4" NPT
S	#16 SAE	#20 SAE	#16 SAE	#6 SAE	#4 SAE G6 - #6 SAE
B	1" BSPP	1 1/4" BSPP	1" BSPP	3/8" BSPP	-
T	1" BSPT	1 1/4" BSPT	1" BSPT	3/8" BSPT	-
M	M33	M42	M33	M14	-

**NOTE:** For Mounting Bracket Kit (BK-A08) dimensions, see Reference Section, page 174