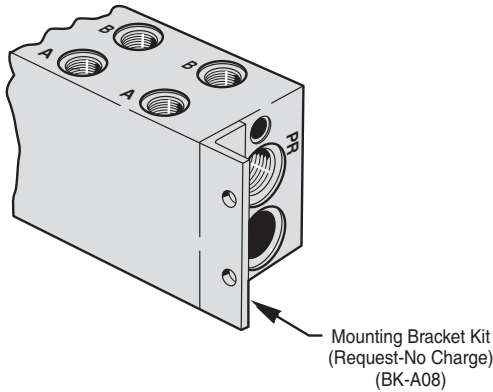


Features & Advantages

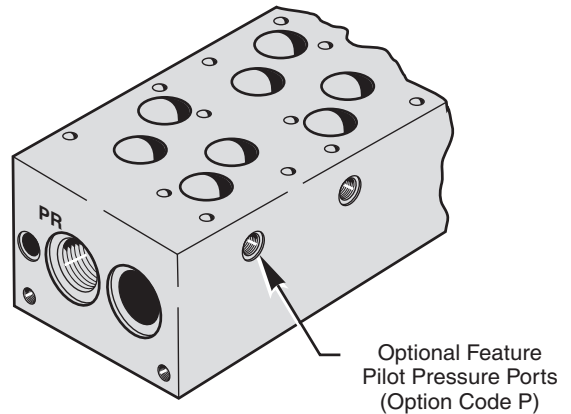
- * Available with SAE, NPT, BSPP, BSPT or Metric Threads to cover a wide range of applications.
- * Large pressure and tank passages for maximum flow capacity.
- * Common pilot drain connections.
- * Standard end mounting holes make mounting easy and flexible. Also, a mounting bracket kit (BK-A08) is supplied (when requested) as an alternate end mounting style.

3

Standard Mounting Bracket Kit



Optional Pilot Pressure Ports



MAGNALOY D08 SERIES BAR MANIFOLD PART NUMBER BREAKDOWN

B M - A S S 0 8 P 7 - 0 2 - 0 / P

Product Code
BM-Inline Bar Manifold

Material Code
A - Aluminum
S - Ductile/Steel

Circuit Code
SS - Series Circuit

NFPA Pattern Code
08 - D08

Thread Code
P - NPTF Pipe
S - SAE O'Ring
B - BSPP British Parallel
T - BSPT British Taper
M - Metric ISO 6149

(See Port Chart for Standard Port Sizes)

Options

- Z - No Option
- G - Gauge Port #4 SAE or 1/4 NPTF
- G6 - Gauge Port #6 SAE
- P - Pilot Pressures (Individual Per Valve)
- H - Hard Metric Threading (See Note 2, page 34)
- M - Soft Metric Threading (See Note 3, page 34)

Design Series

Number of Valve Stations
02 - 2 stations
03 - 3 stations
etc.

Valve Spacing Code
7 - 7.00" Only

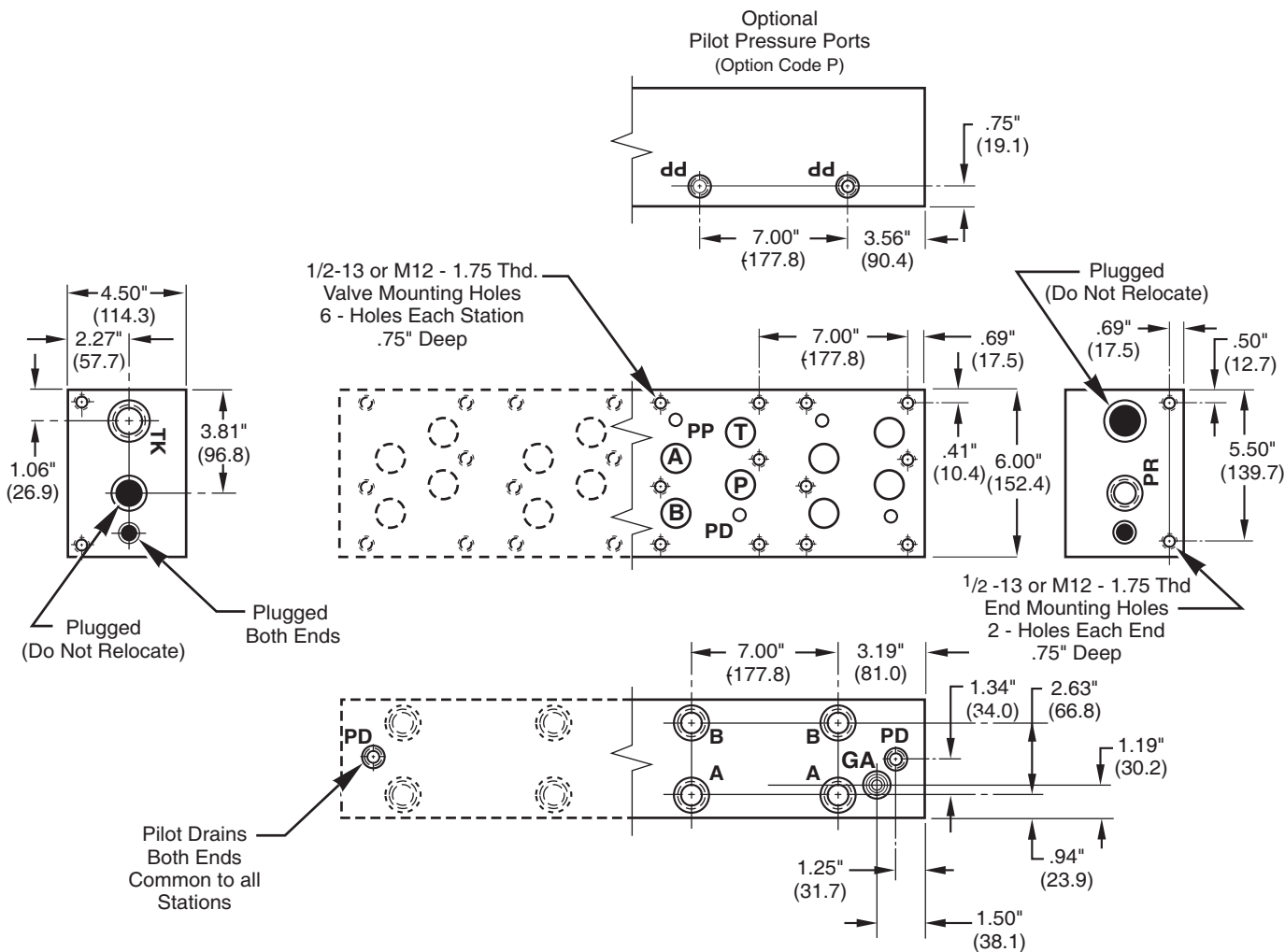
Inline Bar Manifold

D08 Bar Manifold - Series

Length (L) 7.00" Spacing Only			
No. of Stations	2	3	4
Valve Center Spacing	12.56"	19.56"	26.56"

Note: Relief Cavities and Gauge Port not available in standard D08 Series Manifolds

Additional stations available, consult factory.



Port Size Chart

Thread Code	PR	TK	A & B	PD & Pilot Pressure Ports	Optional Gauge Port
P	1" NPT	1 1/4" NPT	1" NPT	3/8" NPT	1/4" NPT
S	#16 SAE	#20 SAE	#16 SAE	#6 SAE	#4 SAE G6 - #6 SAE
B	1" BSPP	1 1/4" BSPP	1" BSPP	3/8" BSPP	-
T	1" BSPT	1 1/4" BSPT	1" BSPT	3/8" BSPT	-
M	M33	M42	M33	M14	-

NOTE: For Mounting Bracket Kit (BK-A08) dimensions, see Reference Section, page 174.