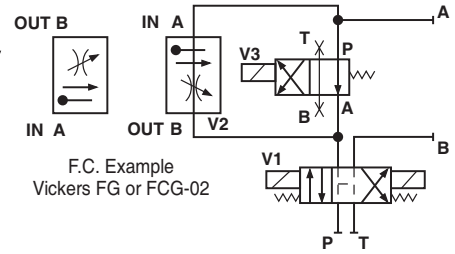
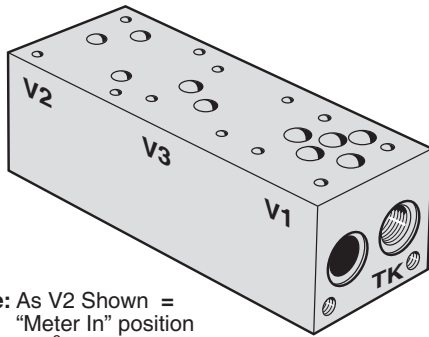


The integrated circuit manifold, Number IC-_05x41-0, provides a "Meter Out" and IC-_05x42 provides a "Meter In" pressure compensated flow control circuit. The flow control is placed in the port line in parallel with a selector valve which allows electrical switching to rapid transverse (nominal flow of 10 GPM) or controlled speed (from fractional to 6.5 GPM).

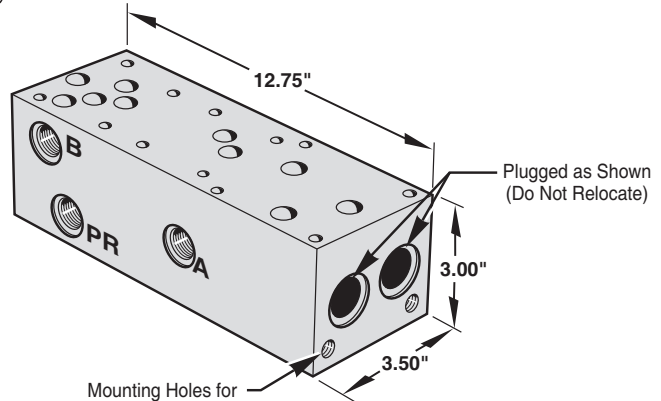


Valves Required

- V1 — Directional Control Valve (NFPA D05)
- V2 — Pressure Compensated Flow Control Valve (NFPA 2F02)
- V3 — Directional Control Valve, Spring Offset, Open Center Spool Recommended (NFPA D05)

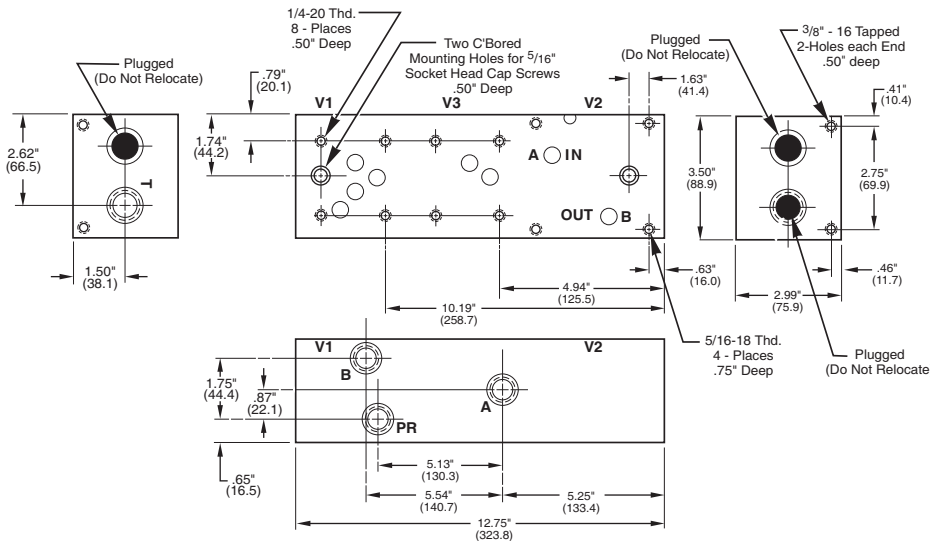


Note: As V2 Shown = "Meter In" position
180° Rotation = "Meter Out" position



Mounting Holes for Bracket Mounting Kit (BK-A05)
Request Separately

NOTE: For Mounting Bracket Kit (BK-A05) dimensions, see Reference Section, page 174



Port Designation	IC-_05P4_-0	IC-_05S4_-0
A, B & P	1/2" NPT	#8 SAE
TK	3/4" NPT	#12 SAE

Part Number	
SAE	IC-A05S4_-0 Aluminum
	IC-S05S4_-0 Ductile/Steel
NPT	IC-A05P4_-0 Aluminum
	IC-S05P4_-0 Ductile/Steel

MAGNALOY IC MANIFOLD PART NUMBER BREAKDOWN

