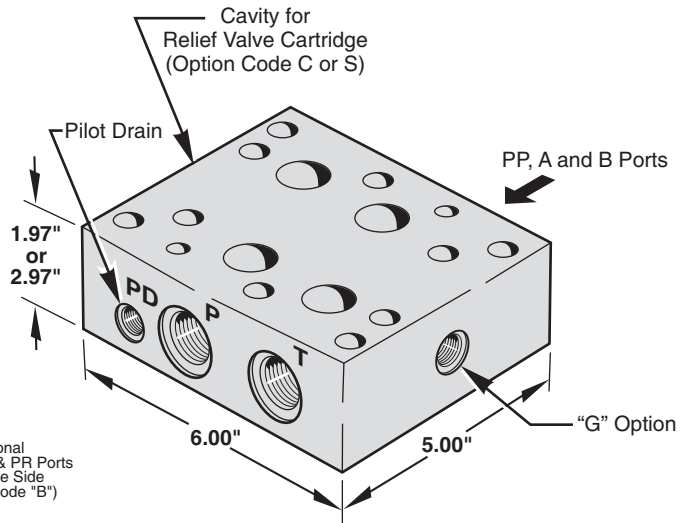
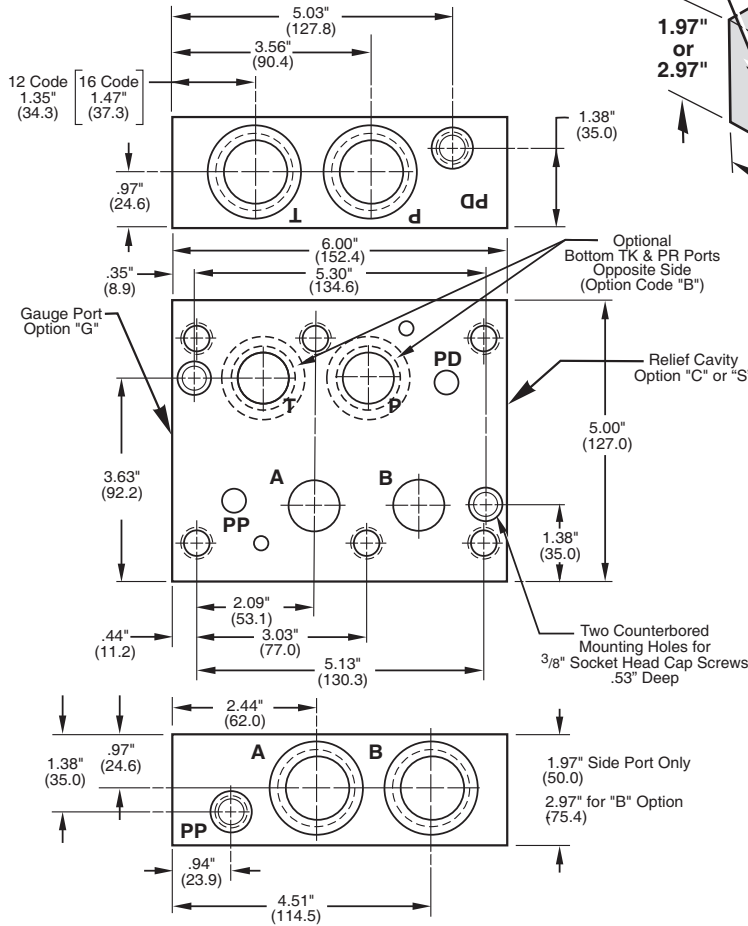


**Application:**

Side ported subplate used for mounting directional valves with NFPA D08 Interface. Features include A, B and pilot pressure ports on a common side with PR, TK and pilot drain ports on the opposite side.



Thread Code	PR, TK, A & B	PD & PP
P12	3/4" NPT	1/4" NPT
S12	#12 SAE	#6 SAE
B12	3/4" BSPP	1/4" BSPP
T12	3/4" BSPT	1/4" BSPT
M12	M27 x 2.0	M12 x 1.5
P16	1" NPT	1/4" NPT
S16	#16 SAE	#6 SAE
B16	1" BSPP	1/4" BSPP
T16	1" BSPT	1/4" BSPT
M16	M33 x 2.0	M12 x 1.5

3

## MAGNALOY D08 SUBPLATE PART NUMBER BREAKDOWN

**S P - A 0 8 P 1 2 - 1 / B Z**

Product Code  
SP - Subplate

Material Code  
A - Aluminum  
S - Ductile/Steel

NFPA Pattern Code  
08 - D08

Thread Code  
P - NPTF Pipe  
S - SAE O'Ring  
B - BSPP British Parallel  
T - BSPT British Taper  
M - Metric ISO 6149  
(See Port Chart for Standard Sizes)

Options  
Z - No Relief Cavity  
B - Bottom PR-TK Ports (W/Side PR & TK Ports)  
C - Relief Valve Cavity C-10-2  
G - Gauge Port #4 SAE or 1/4 NPTF  
G6 - Gauge Port #6 SAE  
S - Relief Valve Cavity Sun T-3A  
H - Hard Metric Threading (See Note 2, page 34)  
M - Soft Metric Threading (See Note 3, page 34)  
Note: For more than two combined options, consult factory.

Design Series