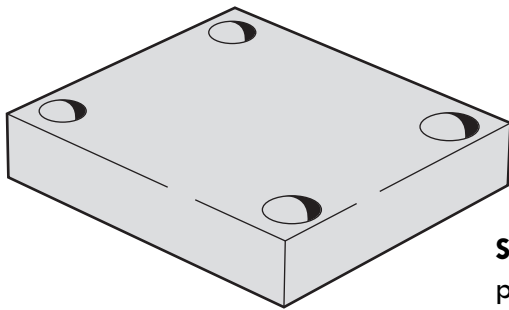


INDEX		Part Number	
For NFPA D03 Valve Stations		Aluminum	Ductile/Steel
76	All Ports Blocked	CP-ASP03_-1/Z	CP-SSP03_-1/Z
76	All Ports Blocked, Gauge Ports Provided	CP-ASP03_-1/G	CP-SSP03_-1/G
77	PR & TK Ports Connected for Series Circuit	CP-ASS03_-1/Z	CP-SSS03_-1/Z
For NFPA D05 Valve Stations		Aluminum	Ductile/Steel
78	All Ports Blocked	CP-ASP05_-1/Z	CP-SSP05_-1/Z
78	All Ports Blocked, Gauge Ports Provided	CP-ASP05_-1/G	CP-SSP05_-1/G
79	PR & TK Ports Connected for Series Circuit	CP-ASS05_-1/Z	CP-SSS05_-1/Z
For NFPA D08 Valve Stations		Aluminum	Ductile/Steel
80	All Ports Blocked	CP-ASP08_-1/Z	CP-SSP08_-1/Z
80	All Ports Blocked, Gauge Ports Provided	CP-ASP08_-1/G	CP-SSP08_-1/G
81	PR & TK Ports Connected for Series Circuit	CP-ASS08_-1/Z	CP-SSS08_-1/Z



Standard Cover Plate - includes o’ring pockets on the bottom surface to provide o’ring sealing of the NFPA valve pattern. Mounting provisions include four (4) holes (6 on D08 cover plate) on the top surface of the cover plate. Mounting hardware, locating pins (w/D03 and D08 only) and viton o’ring are provided.

Options:

G - Gauge Ports - addition of two (2) gauge ports to the top surface of the cover plate to provide monitoring of the pressure and tank ports.

MAGNALOY COVER PLATE PART NUMBER BREAKDOWN

