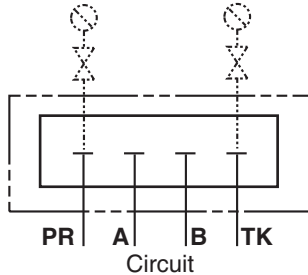
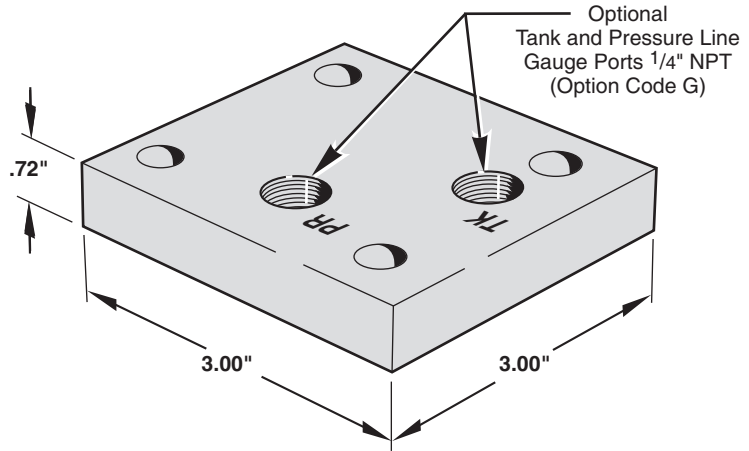


Application:

Seals and isolates all valve ports when used as substitute for directional valve. Gauge Port option provides pressure and tank line signal ports.



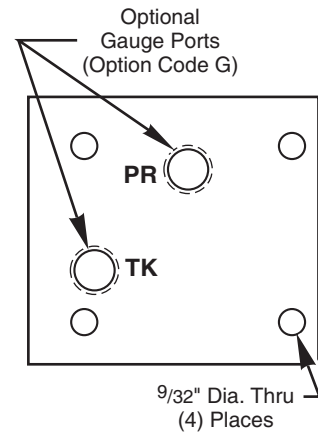
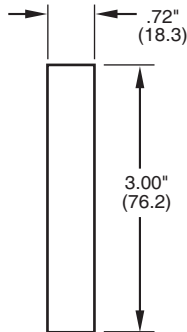
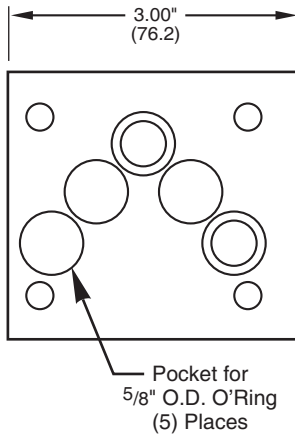
Note: (With Gauge Option)
Level seal pipe plugs are furnished to plug unused gauge ports.



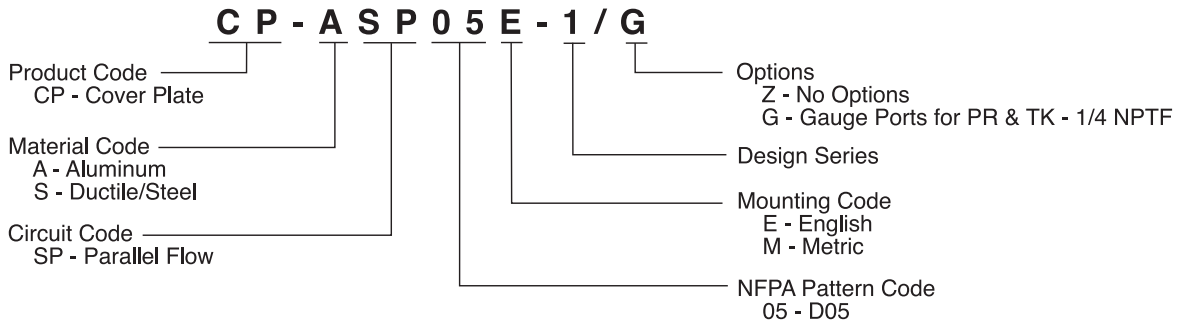
Supplied Hardware

- Mounting Bolts — (4) M6-1.0 x 32mm S.H.C.S. (M - Mtg.Code)
- Mounting Bolts — (4) 1/4-20 x 1 1/4" S.H.C.S. (E - Mtg.Code)
- O-Rings — Viton (5) 5/8" OD x 1/2" ID x 1/16" CS
- Pipe Plugs — (2) 1/4" NPT Level Seal (See note above)

Part Numbers:	
Aluminum	Ductile/Steel
CP-ASP05_-1/Z	CP-SSP05_-1/Z
CP-ASP05_-1/G	CP-SSP05_-1/G



MAGNALOY D05 COVER PLATE PART NUMBER BREAKDOWN

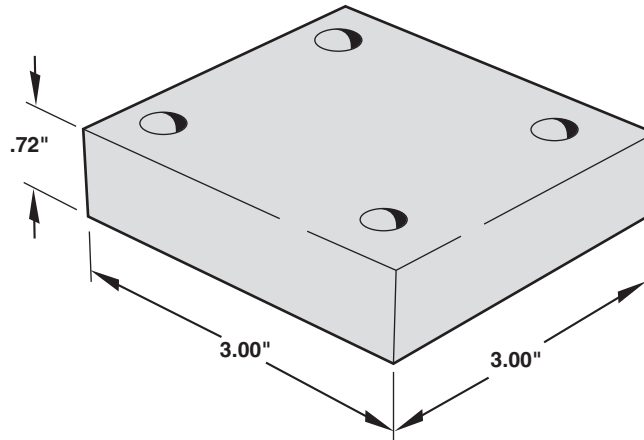
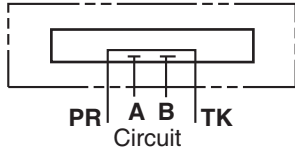


Cover Plate

D05 Cover Plate, Series Blank Off

Application:

Seals all valve ports and provides the pressure port common to tank port when used as a flush out plate or as a substitute for directional valve in a series circuit.

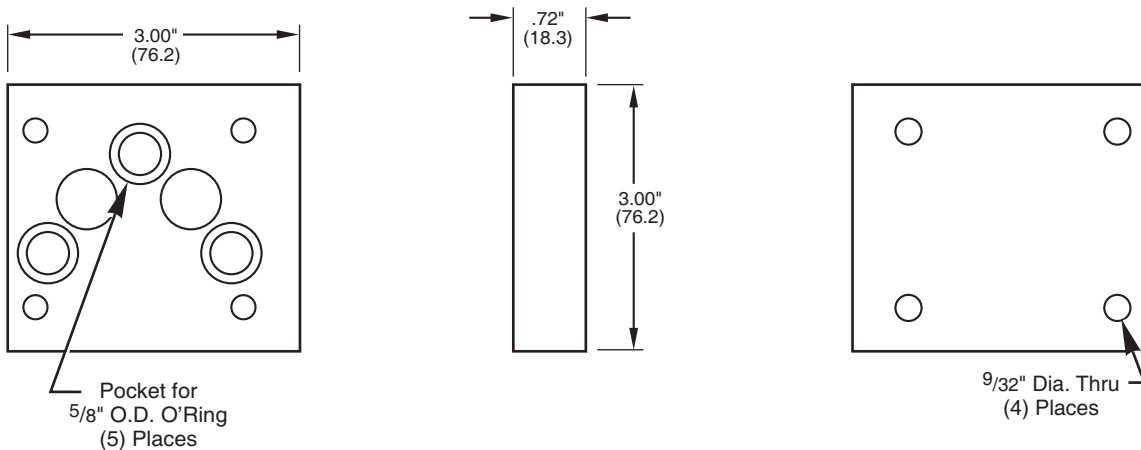


Supplied Hardware

- Mounting Bolts — (4) M6-1.0 x 32mm S.H.C.S. (M - Mtg.Code)
- Mounting Bolts — (4) 1/4-20 x 1 1/4" S.H.C.S. (E - Mtg.Code)
- O-Rings — Viton (5) 5/8" OD x 1/2" ID x 1/16" CS

Part Numbers:	
Aluminum	Ductile/Steel
CP-ASS05_-1/Z	CP-SSS05_-1/Z

3



MAGNALOY D05 COVER PLATE PART NUMBER BREAKDOWN

