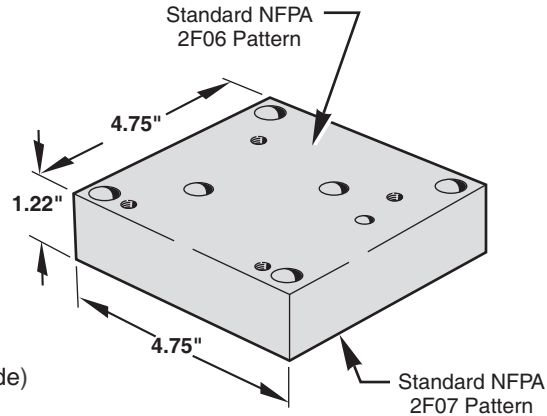


# Directional Valve Pattern Valve Adaptor - 2F06 to 2F07

**Application:**  
Adapts valve with NFPA 2F06 pattern to NFPA 2F07 pattern.

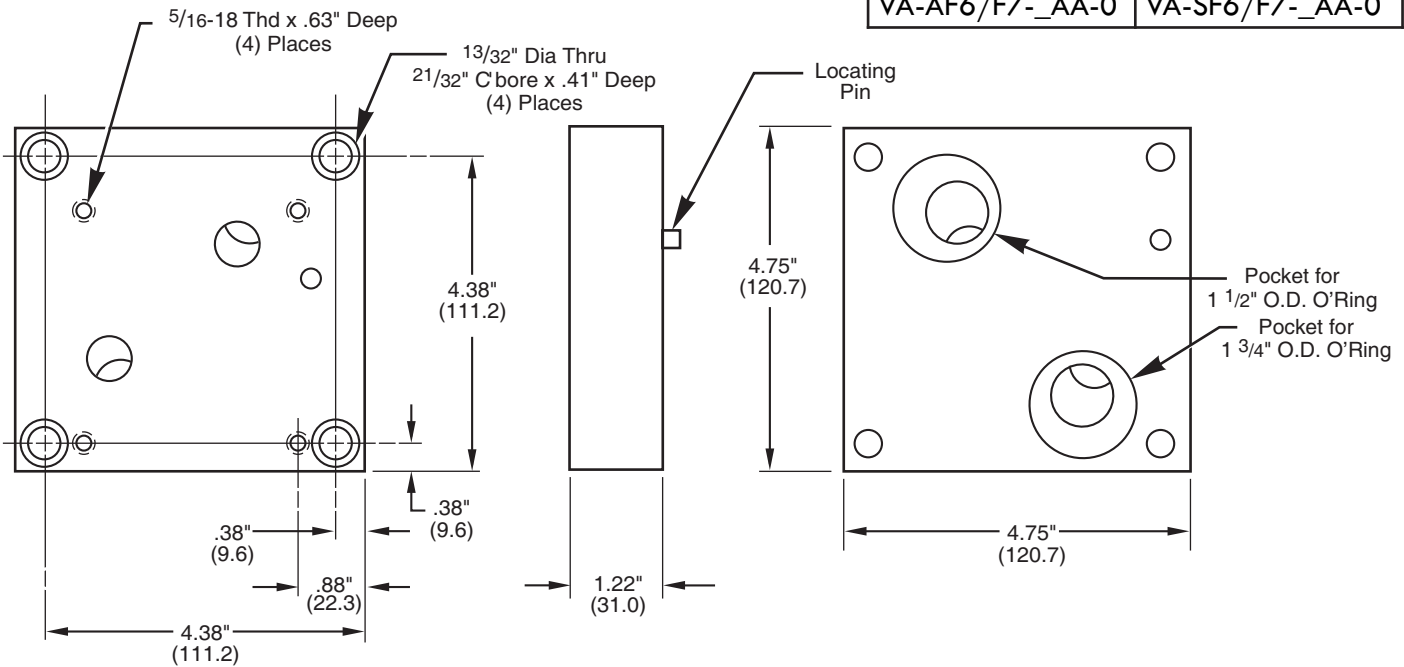


### Supplied Hardware

- Mounting Bolts — (4) M10-1.5 x 32mm S.H.C.S. (M - Mtg.Code)
- Mounting Bolts — (4) 3/8-16 x 1 1/4" S.H.C.S. (E - Mtg.Code)
- O-Rings — Viton (1) 1 1/2" OD x 1 1/4" ID x 1/8" CS
- O-Rings — Viton (1) 1 3/4" OD x 1 1/2" ID x 1/8" CS
- Locating Pin — (1) 1/4" Dia. x 1/2" Roll Pin

### Part Numbers:

Aluminum	Ductile/Steel
VA-AF6/F7- <u>AA</u> -0	VA-SF6/F7- <u>AA</u> -0



3

## MAGNALOY VALVE ADAPTOR PART NUMBER BREAKDOWN

