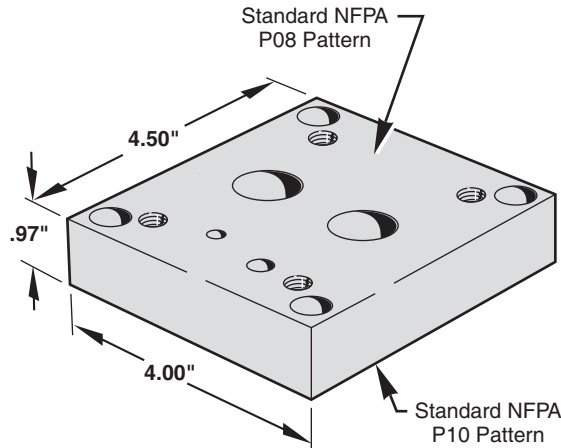


Application:

Adapts a $\frac{3}{4}$ " pressure control valve (NFFPA P08) to a $1\frac{1}{4}$ " pressure control valve pattern (P10).

Note:

This adaptor is for use with internally drained valves. A passage is provided for external pilot pressure.



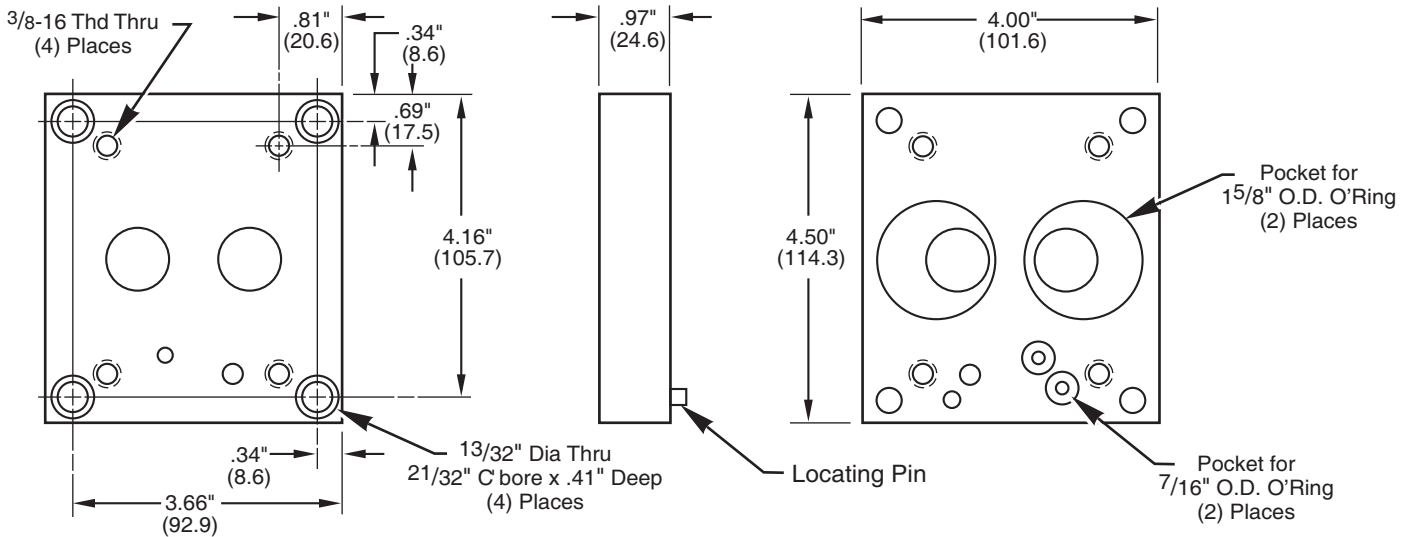
Supplied Hardware

- Mounting Bolts — (4) M10-1.5 x 32mm S.H.C.S. (M - Mtg.Code)
- Mounting Bolts — (4) $\frac{3}{8}$ -16 x $1\frac{1}{4}$ " S.H.C.S. (E - Mtg.Code)
- O-Rings — Viton (2) $\frac{7}{16}$ " OD x $\frac{5}{16}$ " ID x $\frac{1}{16}$ " CS
- O-Rings — Viton (2) $\frac{15}{8}$ " OD x $\frac{13}{8}$ " ID x $\frac{1}{8}$ " CS
- Locating Pin — $\frac{1}{4}$ " Dia. x $\frac{1}{2}$ " Roll Pin

Part Numbers:

Aluminum	Ductile/Steel
VA-AP8/P0-AA-0	VA-SP8/P0-AA-0

3



MAGNALOY VALVE ADAPTOR PART NUMBER BREAKDOWN

