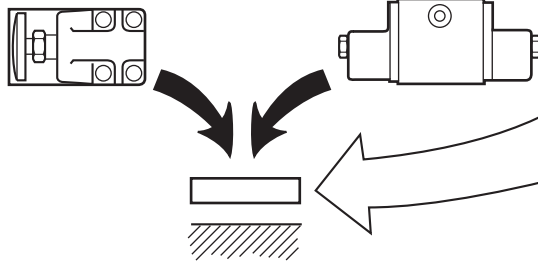
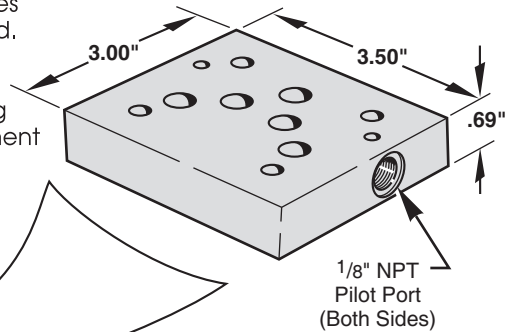


**Application:**

Allows mounting a Vickers Model DG18 4-01XX-50 air piloted directional control valve on standard subplates and manifolds. 1/8" NPT pilot connections are provided.

or

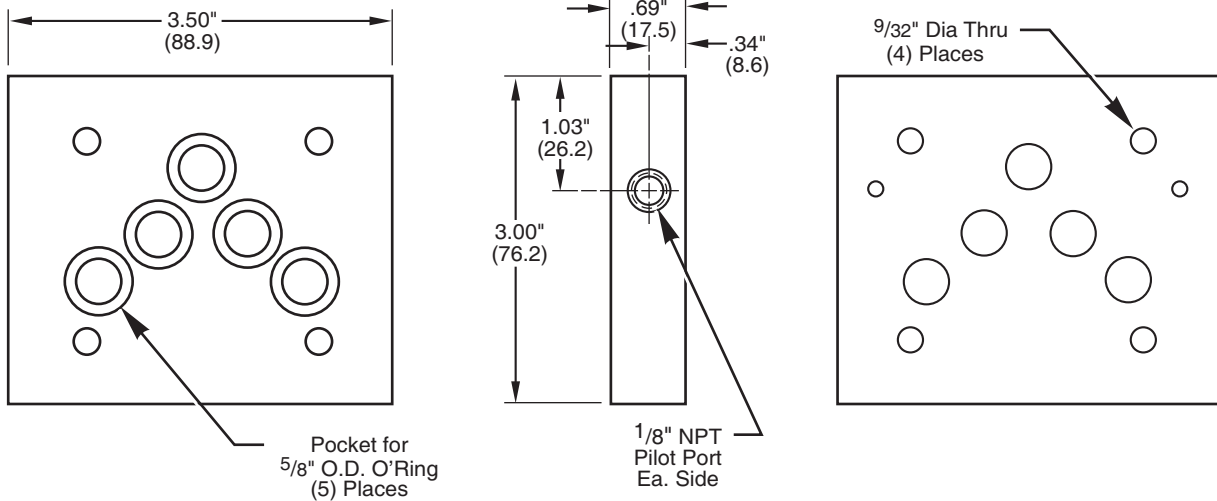
Allows for plumbing of the external drain line of a Vickers Model DGX-01-XX sandwich pressure reducing valve module, thus permitting removal and replacement of the DGX-01-XX without disturbing that connection.



Part Numbers:	
Aluminum	Ductile/Steel
MA-A05ZZ-PA-ZZ-0	MA-S05ZZ-PA-ZZ-0

**Supplied**

O-Rings — Viton (5) 5/8" OD x 1/2" ID x 1/16" CS



3

### MAGNALOY MANIFOLD ACCESSORY PART NUMBER BREAKDOWN

