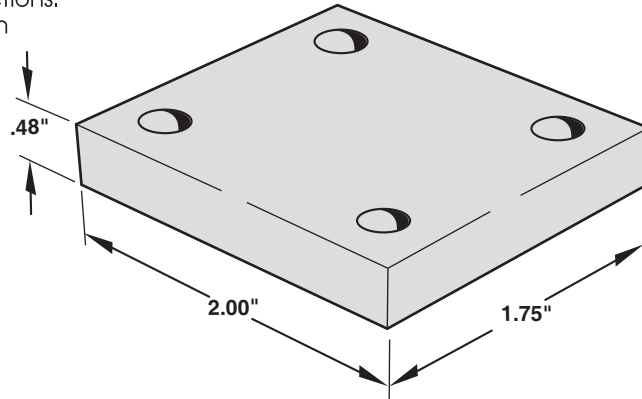
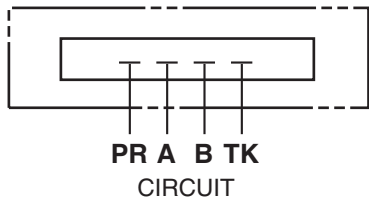


Applications:

- To mount between a D03 4-way valve and a mounting surface.
- To provide for customer drilling of holes for orifices in any of the 4 port connections. Any port may be drilled to a maximum of .25" dia or may be left blocked.



Supplied Hardware

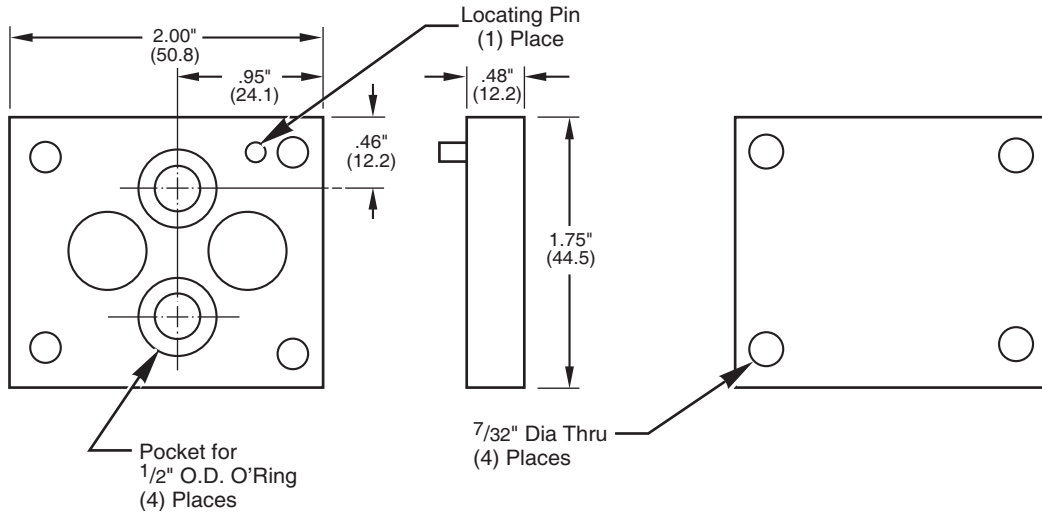
O-Rings — Viton (5) 1/2" OD x 3/8" ID x 1/16" CS
Locating Pin — (1) 1/8" x 3/8" Roll Pin

Note:

Maximum allowable drill is .25" dia.

Part Numbers:

Aluminum	Ductile/Steel
MA-A03ZZ-OP-ZZ-0	MA-S03ZZ-OP-ZZ-0



MAGNALOY MANIFOLD ACCESSORY PART NUMBER BREAKDOWN

