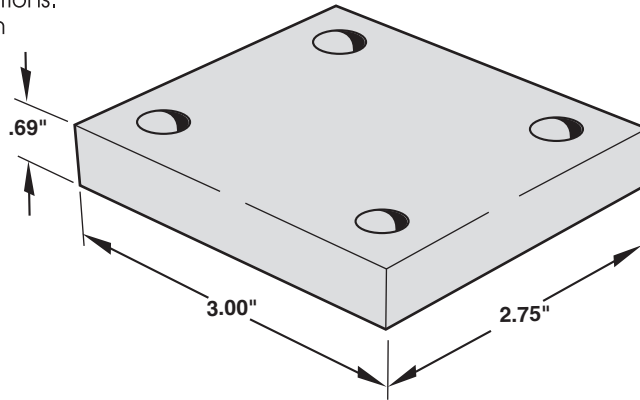
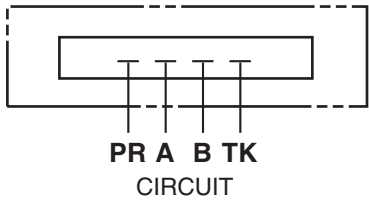


# Manifold Accessories

## D05 Orifice Plate

**Applications:**

- To mount between a DO5 4-way valve and a mounting surface.
- To provide for customer drilling of holes for orifices in any of the 5 port connections. Any port may be drilled to a maximum of .438" dia or may be left blocked.



**Supplied Hardware**

O-Rings — Viton (5) 5/8" OD x 1/2" ID x 1/16" CS

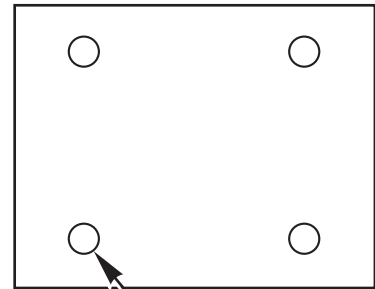
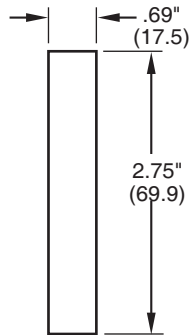
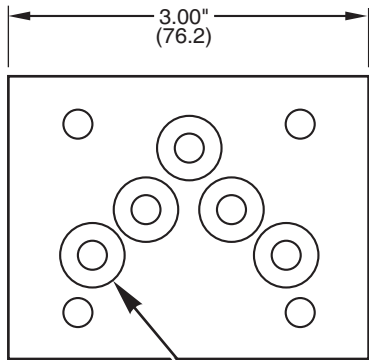
**Note:**

Maximum allowable drill is .438" dia.

**Part Numbers:**

Aluminum	Ductile/Steel
MA-A05ZZ-OP-ZZ-0	MA-S05ZZ-OP-ZZ-0

3



Pocket for 5/8" O.D. O'Ring (5) Places

9/32" Dia Thru (4) Places

### MAGNALOY MANIFOLD ACCESSORY PART NUMBER BREAKDOWN

