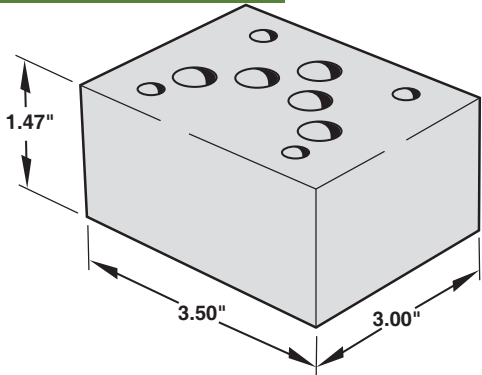


# Manifold Accessories

## D05 Tapping Plate

### Application:

Module with NFPA D05 pattern for use between the valve and a mounting surface, providing additional ports where needed for external pilot connections, gauges, etc. Eliminates added plumbing.



### Supplied Hardware

O-Rings — Viton (5) 5/8" OD x 1/2" ID x 1/16" CS

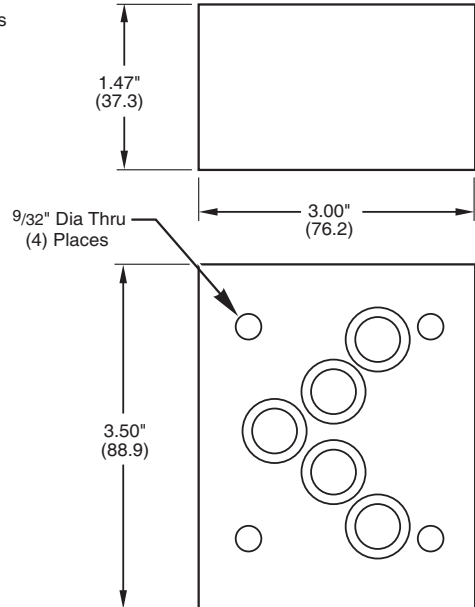
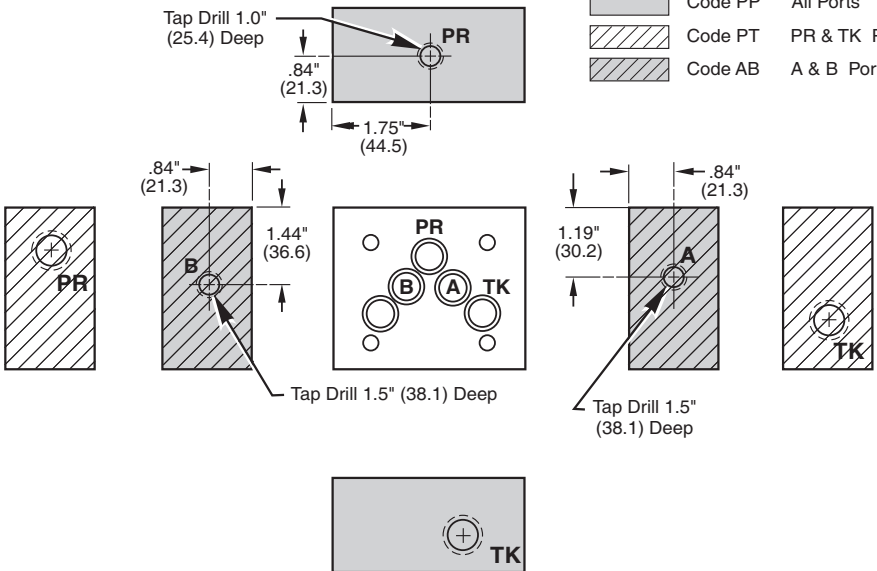
### Part Numbers:

Aluminum	Ductile/Steel
MA-A05__-TP-__-1	MA-S05__-TP-__-1

### SUGGESTED PORT LOCATIONS

### Port Locations Legend

- Code PP All Ports
- Code PT PR & TK Ports
- Code AB A & B Ports



3

## MAGNALOY MANIFOLD ACCESSORY PART NUMBER BREAKDOWN

