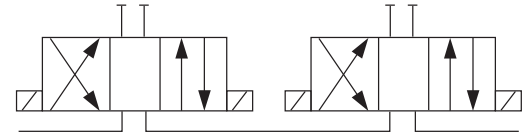
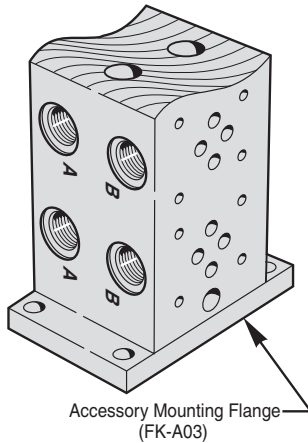


FEATURES AND ADVANTAGES

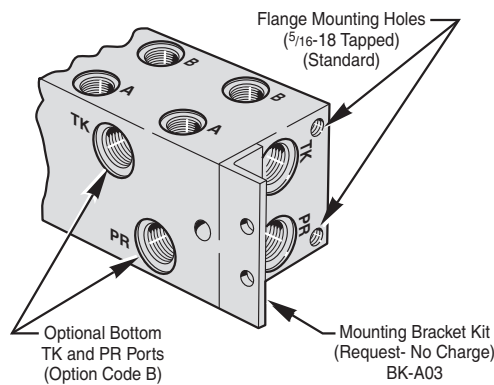
- * Available with SAE, NPT, BSPP, BSPT or Metric Threads to cover a wide range of applications.
- * Adequate clearance for 5/8" tube fittings.
- * Mounting bolt spacing allows standardized mounting pads.
- * Tank and pressure lines may be connected at either end.



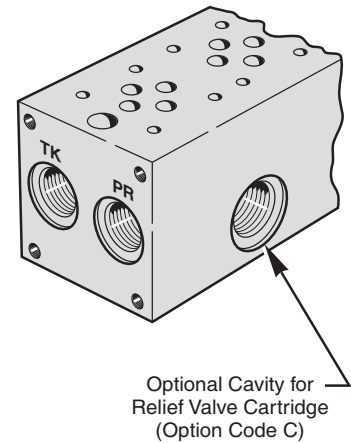
3



Accessory Mounting Flange (FK-A03)



Mounting Bracket Kit (Request- No Charge) BK-A03



Optional Cavity for Relief Valve Cartridge (Option Code C)

MAGNALOY D03 SERIES BAR MANIFOLD PART NUMBER BREAKDOWN

B M - A S S 0 3 S 2 - 0 1 - 0 / B

Product Code
BM-Inline Bar Manifold

Material Code
A - Aluminum
S - Steel

Circuit Code
SS - Series Circuit

NFPA Pattern Code
03 - D03

Thread Code
P - NPTF Pipe
S - SAE O'Ring
B - BSPP British Parallel
T - BSPT British Taper
M - Metric ISO 6149

(See Port Size Chart for Standard Port Sizes)

Options

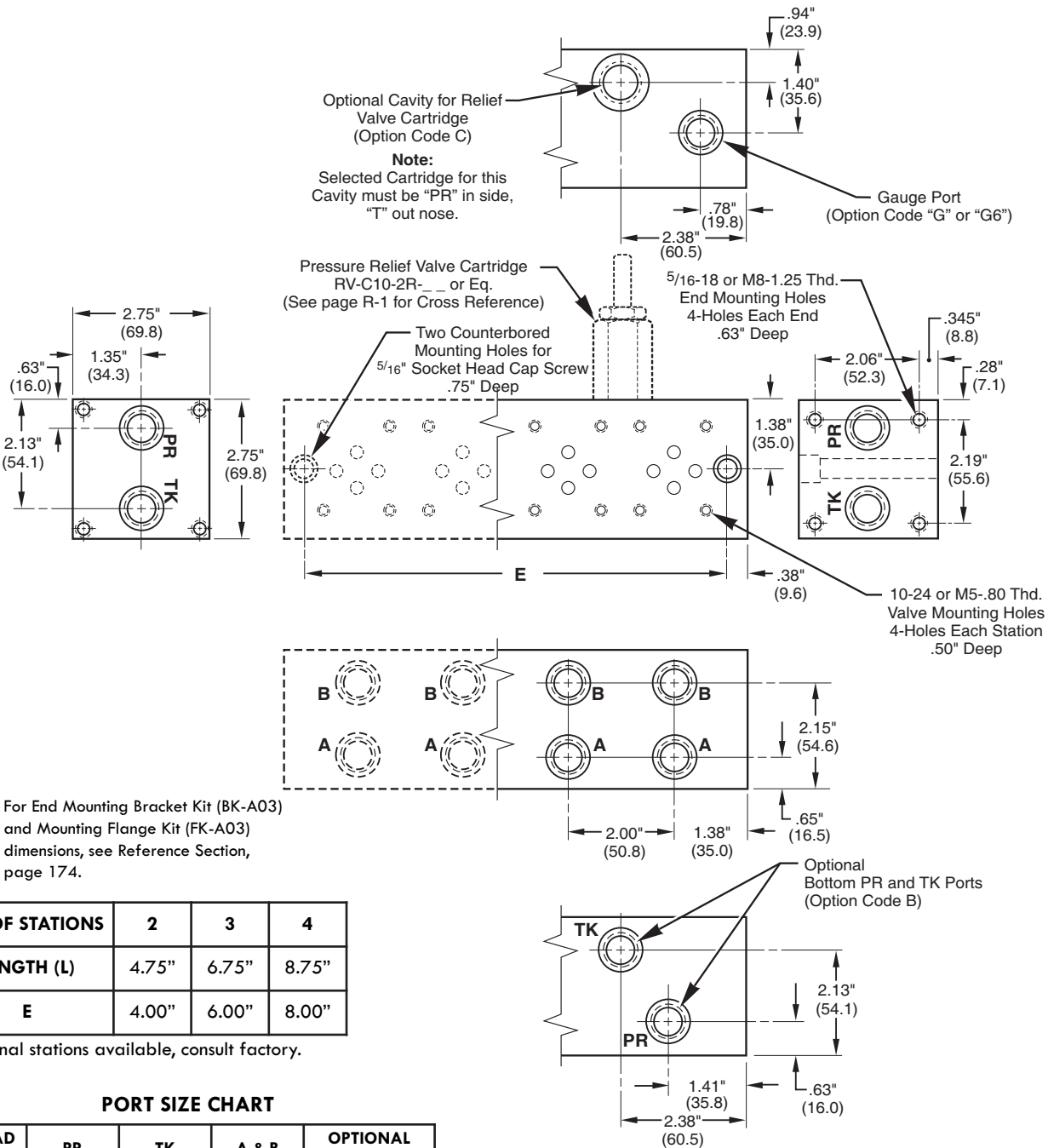
- Z - No Option
- B - Bottom PR-TK Ports
- C - Relief Valve Cavity C-10-2
- G - Gauge Port #4 SAE or 1/4" NPTF
- G6 - Gauge Port #6 SAE
- H - Hard Metric Threading (See Note 2, page 34)
- M - Soft Metric Threading (See Note 3, page 34)

Design Series

Number of Valve Stations
02 - 2 stations
03 - 3 stations
etc.

Valve Spacing Code
2 - 2.00"

Inline Bar Manifold D03 Bar Manifold - Series



NO. OF STATIONS	2	3	4
LENGTH (L)	4.75"	6.75"	8.75"
E	4.00"	6.00"	8.00"

Additional stations available, consult factory.

PORT SIZE CHART

THREAD CODE	PR	TK	A & B	OPTIONAL GAUGE PORTS
P	1/2" NPT	1/2" NPT	3/8" NPT	1/4" NPT
S	#8 SAE	#8 SAE	#8 SAE	#4 SAE G6 - #6 SAE
B	1/2" BSPP	1/2" BSPP	3/8" BSPP	-
T	1/2" BSPT	1/2" BSPT	3/8" BSPT	-
M	M18	M18	M18	-