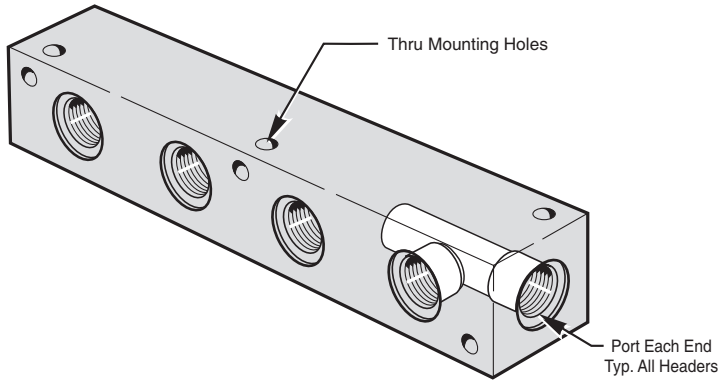
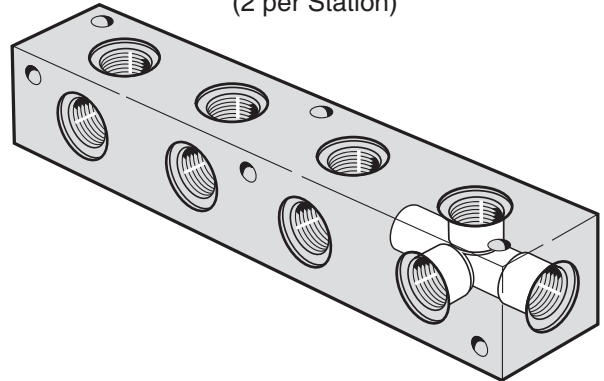


HEADER MANIFOLD - 0°
Connections Out One Side Only
(1 per Station)

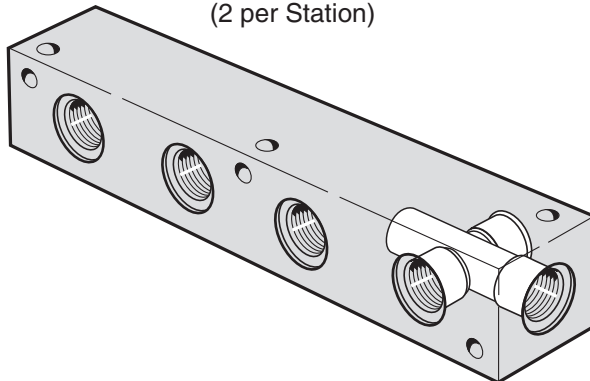


HEADER MANIFOLD - 90°
Side Connections at 90°
(2 per Station)

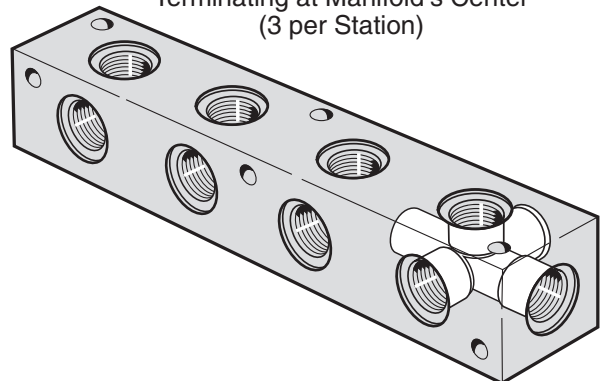


3

HEADER MANIFOLD - 180°
Side Connection Thru
(2 per Station)



HEADER MANIFOLD - 270°
3 Side Connections
Terminating at Manifold's Center
(3 per Station)



MAGNALOY HEADER MANIFOLD - PART NUMBER BREAKDOWN

H A - 0 0 0 8 S / 0 8 S - 0 4 - 1 / Z

Product Code
H - Header Manifold

Material Code
A - Aluminum
S - Ductile/Steel

Port Angles
00 - 0°
09 - 90°
18 - 180°
27 - 270°

End Ports * (Inlet)
##S - SAE
##P - Pipe

* See size charts for standard sizes and porting. See Page 95 for Mounting Hardware.

01P - 1/16 NPT	04S - #4 SAE
02P - 1/8 NPT	06S - #6 SAE
04P - 1/4 NPT	08S - #8 SAE
06P - 3/8NPT	12S - #12 SAE
08P - 1/2 NPT	16S - #16 SAE
12P - 3/4 NPT	20S - #20 SAE
16P - 1" NPT	24S - #24 SAE
20P - 1 1/4 NPT	32S - #32 SAE
24P - 1 1/2 NPT	
32P - 2" NPT	

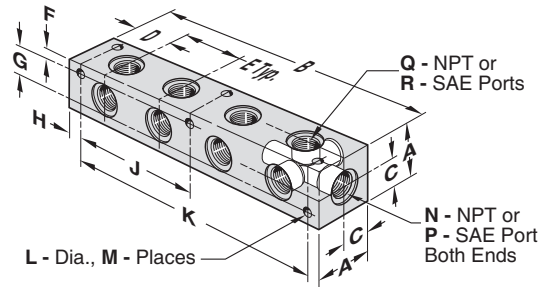
Options
Z - No Options

Design Series

Number of Stations

Side Ports * (Outlet)
##S - SAE
##P - NPTF

Connection Manifold Header Bar Manifolds



01P SIDE PORT

PART NO.	A	B	C	D	E	F	G	H	J	K	L	M	N	P	Q	R
H - _ 02P/01P-02-1/Z		3.250							--	2.625		4				
H - _ 02P/01P-03-1/Z		4.500							--	3.875		4				
H - _ 02P/01P-04-1/Z		5.750							--	5.125		4				
H - _ 02P/01P-05-1/Z		7.000							--	6.375		4				
H - _ 02P/01P-06-1/Z	1.500	8.250	0.750	1.000	1.250	0.250	1.000	0.313	3.813	7.625	0.281	6	1/8	--	1/16	--
H - _ 02P/01P-07-1/Z		9.500							3.813	8.875		6				
H - _ 02P/01P-08-1/Z		10.750							5.063	10.125		6				
H - _ 02P/01P-09-1/Z		12.000							5.063	11.375		6				
H - _ 02P/01P-10-1/Z		13.250							6.313	12.625		6				

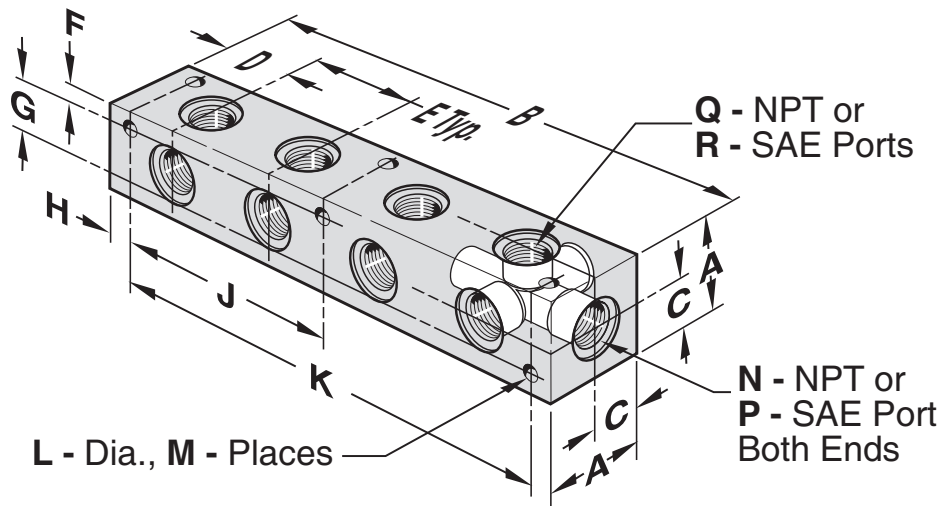
02P SIDE PORT

PART NO.	A	B	C	D	E	F	G	H	J	K	L	M	N	P	Q	R
H - _ 02P/02P-02-1/Z		3.625							--	3.000		4				
H - _ 02P/02P-03-1/Z		5.000							--	4.375		4				
H - _ 02P/02P-04-1/Z		6.375							--	5.750		4				
H - _ 02P/02P-05-1/Z		7.750							--	7.125		4				
H - _ 02P/02P-06-1/Z	1.500	9.125	0.750	1.125	1.375	0.250	1.000	0.313	4.250	8.500	0.281	6	1/8	--	1/8	--
H - _ 02P/02P-07-1/Z		10.500							4.250	9.875		6				
H - _ 02P/02P-08-1/Z		11.875							5.625	11.250		6				
H - _ 02P/02P-09-1/Z		13.250							5.625	12.625		6				
H - _ 02P/02P-10-1/Z		14.625							7.000	14.000		6				

PART NO.	A	B	C	D	E	F	G	H	J	K	L	M	N	P	Q	R
H - _ 04 /02P-02-1/Z		3.625							--	3.000		4				
H - _ 04 /02P-03-1/Z		5.000							--	4.375		4				
H - _ 04 /02P-04-1/Z		6.375							--	5.750		4				
H - _ 04 /02P-05-1/Z		7.750							--	7.125		4				
H - _ 04 /02P-06-1/Z	1.500	9.125	0.750	1.125	1.375	0.250	1.000	0.313	4.250	8.500	0.281	6	1/4	-4	1/8	--
H - _ 04 /02P-07-1/Z		10.500							4.250	9.875		6				
H - _ 04 /02P-08-1/Z		11.875							5.625	11.250		6				
H - _ 04 /02P-09-1/Z		13.250							5.625	12.625		6				
H - _ 04 /02P-10-1/Z		14.625							7.000	14.000		6				

PART NO.	A	B	C	D	E	F	G	H	J	K	L	M	N	P	Q	R
H - _ 06 /02P-02-1/Z		3.625							--	3.000		4				
H - _ 06 /02P-03-1/Z		5.000							--	4.375		4				
H - _ 06 /02P-04-1/Z		6.375							--	5.750		4				
H - _ 06 /02P-05-1/Z		7.750							--	7.125		4				
H - _ 06 /02P-06-1/Z	1.750	9.125	0.875	1.125	1.375	0.250	1.250	0.313	4.250	8.500	0.281	6	3/8	-6	1/8	--
H - _ 06 /02P-07-1/Z		10.500							4.250	9.875		6				
H - _ 06 /02P-08-1/Z		11.875							5.625	11.250		6				
H - _ 06 /02P-09-1/Z		13.250							5.625	12.625		6				
H - _ 06 /02P-10-1/Z		14.625							7.000	14.000		6				

3



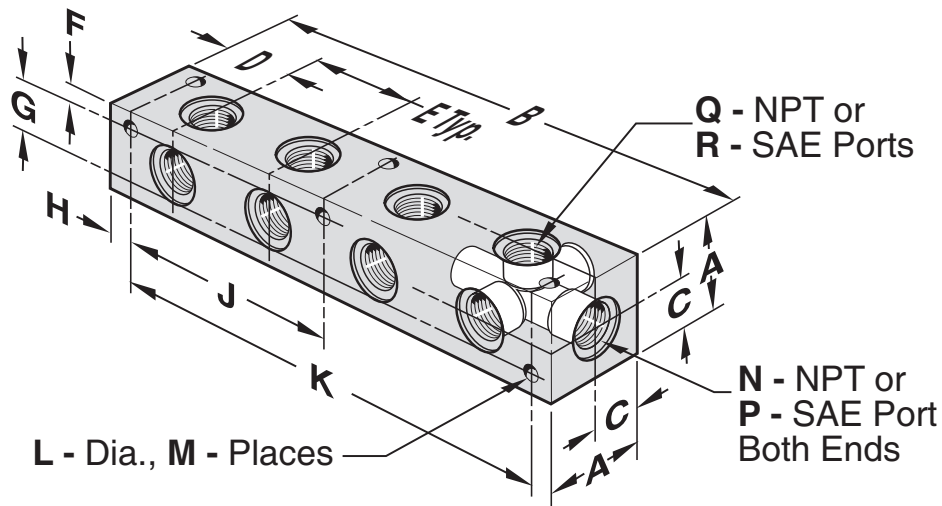
3

04 SIDE PORT

PART NO.	A	B	C	D	E	F	G	H	J	K	L	M	N	P	Q	R
H - _ 04 /04 -02-1/Z		3.875							--	3.250		4				
H - _ 04 /04 -03-1/Z		5.625							--	5.000		4				
H - _ 04 /04 -04-1/Z		7.375							--	6.750		4				
H - _ 04 /04 -05-1/Z		9.125							--	8.500		4				
H - _ 04 /04 -06-1/Z	1.500	10.875	0.750	1.063	1.750	0.250	1.000	0.313	5.125	10.250	0.281	6	1/4	-4	1/4	-4
H - _ 04 /04 -07-1/Z		12.625							5.125	12.000		6				
H - _ 04 /04 -08-1/Z		14.375							6.875	13.750		6				
H - _ 04 /04 -09-1/Z		16.125							6.875	15.500		6				
H - _ 04 /04 -10-1/Z		17.875							8.625	17.250		6				

PART NO.	A	B	C	D	E	F	G	H	J	K	L	M	N	P	Q	R
H - _ 06 /04 -02-1/Z		3.875							--	3.250		4				
H - _ 06 /04 -03-1/Z		5.625							--	5.000		4				
H - _ 06 /04 -04-1/Z		7.375							--	6.750		4				
H - _ 06 /04 -05-1/Z		9.125							--	8.500		4				
H - _ 06 /04 -06-1/Z	1.750	10.875	0.875	1.063	1.750	0.250	1.250	0.313	5.125	10.250	0.281	6	3/8	-6	1/4	-4
H - _ 06 /04 -07-1/Z		12.625							5.125	12.000		6				
H - _ 06 /04 -08-1/Z		14.375							6.875	13.750		6				
H - _ 06 /04 -09-1/Z		16.125							6.875	15.500		6				
H - _ 06 /04 -10-1/Z		17.875							8.625	17.250		6				

PART NO.	A	B	C	D	E	F	G	H	J	K	L	M	N	P	Q	R
H - _ 08 /04 -02-1/Z		3.875							--	3.250		4				
H - _ 08 /04 -03-1/Z		5.625							--	5.000		4				
H - _ 08 /04 -04-1/Z		7.375							--	6.750		4				
H - _ 08 /04 -05-1/Z		9.125							--	8.500		4				
H - _ 08 /04 -06-1/Z	1.750	10.875	0.875	1.063	1.750	0.250	1.250	0.313	5.125	10.250	0.281	6	1/2	-8	1/4	-4
H - _ 08 /04 -07-1/Z		12.625							5.125	12.000		6				
H - _ 08 /04 -08-1/Z		14.375							6.875	13.750		6				
H - _ 08 /04 -09-1/Z		16.125							6.875	15.500		6				
H - _ 08 /04 -10-1/Z		17.875							8.625	17.250		6				



06_ SIDE PORT

3

PART NO.	A	B	C	D	E	F	G	H	J	K	L	M	N	P	Q	R
H - _06 /06 -02-1/Z		5.000							--	4.375		4				
H - _06 /06 -03-1/Z		7.000							--	6.375		4				
H - _06 /06 -04-1/Z		9.000							--	8.375		4				
H - _06 /06 -05-1/Z		11.000							--	10.375		4				
H - _06 /06 -06-1/Z	1.750	13.000	0.875	1.500	2.000	0.250	1.250	0.313	6.188	12.375	0.281	6	3/8	-6	3/8	-6
H - _06 /06 -07-1/Z		15.000							6.188	14.375		6				
H - _06 /06 -08-1/Z		17.000							8.188	16.375		6				
H - _06 /06 -09-1/Z		19.000							8.188	18.375		6				
H - _06 /06 -10-1/Z		21.000							10.188	20.375		6				

PART NO.	A	B	C	D	E	F	G	H	J	K	L	M	N	P	Q	R
H - _08 /06 -02-1/Z		5.000							--	4.375		4				
H - _08 /06 -03-1/Z		7.000							--	6.375		4				
H - _08 /06 -04-1/Z		9.000							--	8.375		4				
H - _08 /06 -05-1/Z		11.000							--	10.375		4				
H - _08 /06 -06-1/Z	1.750	13.000	0.875	1.500	2.000	0.250	1.250	0.313	6.188	12.375	0.281	6	1/2	-8	3/8	-6
H - _08 /06 -07-1/Z		15.000							6.188	14.375		6				
H - _08 /06 -08-1/Z		17.000							8.188	16.375		6				
H - _08 /06 -09-1/Z		19.000							8.188	18.375		6				
H - _06 /06 -10-1/Z		21.000							10.188	20.375		6				

PART NO.	A	B	C	D	E	F	G	H	J	K	L	M	N	P	Q	R
H - _12 /06 -02-1/Z		5.000							--	4.375		4				
H - _12 /06 -03-1/Z		7.000							--	6.375		4				
H - _12 /06 -04-1/Z		9.000							--	8.375		4				
H - _12 /06 -05-1/Z		11.000							--	10.375		4				
H - _12 /06 -06-1/Z	2.000	13.000	1.000	1.500	2.000	0.250	1.500	0.313	6.188	12.375	0.281	6	3/4	-12	3/8	-6
H - _12 /06 -07-1/Z		15.000							6.188	14.375		6				
H - _12 /06 -08-1/Z		17.000							8.188	16.375		6				
H - _12 /06 -09-1/Z		19.000							8.188	18.375		6				
H - _12 /06 -10-1/Z		21.000							10.188	20.375		6				



08_ SIDE PORT

PART NO.	A	B	C	D	E	F	G	H	J	K	L	M	N	P	Q	R	
H - _ 08 /08 -02-1/Z	1.750	5.375							--	4.750	0.281	4					
H - _ 08 /08 -03-1/Z		7.750							--	7.125		4					
H - _ 08 /08 -04-1/Z		10.125							--	9.500		4					
H - _ 08 /08 -05-1/Z		12.500	0.875	1.500	2.375	0.250	1.250	0.313	--	11.875		4	1/2	-8	1/2	-8	
H - _ 08 /08 -06-1/Z		14.875							7.130	14.250		6					
H - _ 08 /08 -07-1/Z		17.250							7.130	16.625		6					
H - _ 08 /08 -08-1/Z		19.625							9.500	19.000		6					
H - _ 08 /08 -09-1/Z		22.000							9.500	21.375		6					

PART NO.	A	B	C	D	E	F	G	H	J	K	L	M	N	P	Q	R	
H - _ 12 /08 -02-1/Z	2.000	5.375							--	4.750	0.281	4					
H - _ 12 /08 -03-1/Z		7.750							--	7.125		4					
H - _ 12 /08 -04-1/Z		10.125							--	9.500		4					
H - _ 12 /08 -05-1/Z		12.500	1.000	1.500	2.375	0.250	1.500	0.313	--	11.875		4	3/4	-12	1/2	-8	
H - _ 12 /08 -06-1/Z		14.875							7.125	14.250		6					
H - _ 12 /08 -07-1/Z		17.250							7.125	16.625		6					
H - _ 12 /08 -08-1/Z		19.625							9.500	19.000		6					
H - _ 12 /08 -09-1/Z		22.000							9.500	21.375		6					

PART NO.	A	B	C	D	E	F	G	H	J	K	L	M	N	P	Q	R	
H - _ 16 /08 -02-1/Z	2.500	5.375							--	4.625	0.344	4					
H - _ 16 /08 -03-1/Z		7.750							--	7.000		4					
H - _ 16 /08 -04-1/Z		10.125							--	9.375		4					
H - _ 16 /08 -05-1/Z		12.500	1.250	1.500	2.375	0.280	1.940	0.375	--	11.750		4	1	-16	1/2	-8	
H - _ 16 /08 -06-1/Z		14.875							7.063	14.125		6					
H - _ 16 /08 -07-1/Z		17.250							7.063	16.500		6					
H - _ 16 /08 -08-1/Z		19.625							9.438	18.875		6					
H - _ 16 /08 -09-1/Z		22.000							9.438	21.250		6					

12_ SIDE PORT

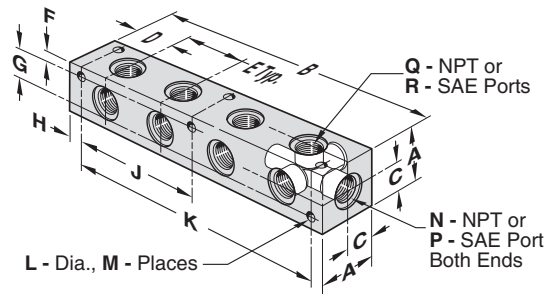
PART NO.	A	B	C	D	E	F	G	H	J	K	L	M	N	P	Q	R	
H - _ 12 /12 -02-1/Z	2.000	6.875							--	6.250	0.281	4					
H - _ 12 /12 -03-1/Z		10.125							--	9.500		4					
H - _ 12 /12 -04-1/Z		13.375	1.000	1.813	3.250	0.250	1.500	0.313	--	12.750		4	3/4	-12	3/4	-12	
H - _ 12 /12 -05-1/Z		16.625							--	16.000		4					
H - _ 12 /12 -06-1/Z		19.875							9.625	19.250		6					
H - _ 12 /12 -07-1/Z		23.125							9.625	22.500		6					

PART NO.	A	B	C	D	E	F	G	H	J	K	L	M	N	P	Q	R	
H - _ 16 /12 -02-1/Z	2.500	6.875							--	6.125	0.344	4					
H - _ 16 /12 -03-1/Z		10.125							--	9.375		4					
H - _ 16 /12 -04-1/Z		13.375	1.250	1.813	3.250	0.280	1.940	0.375	--	12.625		4	1	-16	3/4	-12	
H - _ 16 /12 -05-1/Z		16.625							--	15.875		4					
H - _ 16 /12 -06-1/Z		19.875							9.563	19.125		6					
H - _ 16 /12 -07-1/Z		23.125							9.563	22.375		6					

PART NO.	A	B	C	D	E	F	G	H	J	K	L	M	N	P	Q	R	
H - _ 20 /12 -02-1/Z	3.000	6.875							--	6.125	0.406	4					
H - _ 20 /12 -03-1/Z		10.125							--	9.375		4					
H - _ 20 /12 -04-1/Z		13.375	1.500	1.813	3.250	0.344	2.312	0.375	--	12.625		4	1-1/4	-20	3/4	-12	
H - _ 20 /12 -05-1/Z		16.625							--	15.875		4					
H - _ 20 /12 -06-1/Z		19.875							9.563	19.125		6					
H - _ 20 /12 -07-1/Z		23.125							9.563	22.375		6					

3

Connection Manifold Header Bar Manifolds



16_SIDE PORT

PART NO.	A	B	C	D	E	F	G	H	J	K	L	M	N	P	Q	R
H - _16 /16 -02-1/Z		7.750							--	7.000		4				
H - _16 /16 -03-1/Z		11.500							--	10.750		4				
H - _16 /16 -04-1/Z	2.500	15.250	1.250	2.000	3.750	0.280	1.940	0.375	--	14.500	0.344	4	1	-16	1	-16
H - _16 /16 -05-1/Z		19.000							7.250	18.250		6				
H - _16 /16 -06-1/Z		22.750							11.000	22.000		6				

PART NO.	A	B	C	D	E	F	G	H	J	K	L	M	N	P	Q	R
H - _20 /16 -02-1/Z		7.750							--	7.000		4				
H - _20 /16 -03-1/Z		11.500							--	10.750		4				
H - _20 /16 -04-1/Z	3.000	15.250	1.500	2.000	3.750	0.344	2.312	0.375	--	14.500	0.406	4	1-1/4	-20	1	-16
H - _20 /16 -05-1/Z		19.000							7.250	18.250		6				
H - _20 /16 -06-1/Z		22.750							11.000	22.000		6				

PART NO.	A	B	C	D	E	F	G	H	J	K	L	M	N	P	Q	R
H - _24 /16 -02-1/Z		7.750							--	6.750		4				
H - _24 /16 -03-1/Z		11.500							--	10.500		4				
H - _24 /16 -04-1/Z	3.500	15.250	1.750	2.000	3.750	0.406	2.688	0.500	--	14.250	0.531	4	1-1/2	-24	1	-16
H - _24 /16 -05-1/Z		19.000							7.125	18.000		6				
H - _24 /16 -06-1/Z		22.750							10.875	21.750		6				

20_SIDE PORT

PART NO.	A	B	C	D	E	F	G	H	J	K	L	M	N	P	Q	R
H - _20 /20 -02-1/Z		8.500							--	7.750		4				
H - _20 /20 -03-1/Z		12.500							--	11.750		4				
H - _20 /20 -04-1/Z	3.000	16.500	1.500	2.250	4.000	0.344	2.312	0.375	--	15.750	0.406	4	1-1/4	-20	1-1/4	-20
H - _20 /20 -05-1/Z		20.500							7.875	19.750		6				

PART NO.	A	B	C	D	E	F	G	H	J	K	L	M	N	P	Q	R
H - _24 /20 -02-1/Z		8.500							--	7.500		4				
H - _24 /20 -03-1/Z		12.500							--	11.500		4				
H - _24 /20 -04-1/Z	3.500	16.500	1.750	2.250	4.000	0.406	2.688	0.500	--	15.500	0.531	4	1-1/2	-24	1-1/4	-20
H - _24 /20 -05-1/Z		20.500							7.750	19.500		6				

24_SIDE PORT

PART NO.	A	B	C	D	E	F	G	H	J	K	L	M	N	P	Q	R
H - _24 /24 -02-1/Z		10.000							--	9.000		4				
H - _24 /24 -03-1/Z	3.500	15.000	1.750	2.500	5.000	0.406	2.688	0.500	--	14.000	0.531	4	1-1/2	-24	1-1/2	-24
H - _24 /24 -04-1/Z		20.000							9.500	19.000		6				

PART NO.	A	B	C	D	E	F	G	H	J	K	L	M	N	P	Q	R
H - _32 /24 -02-1/Z		10.000							--	9.000		4				
H - _32 /24 -03-1/Z	4.000	15.000	2.000	2.500	5.000	0.406	3.188	0.500	--	14.000	0.531	4	2	-32	1-1/2	-24
H - _32 /24 -04-1/Z		20.000							9.500	19.000		6				