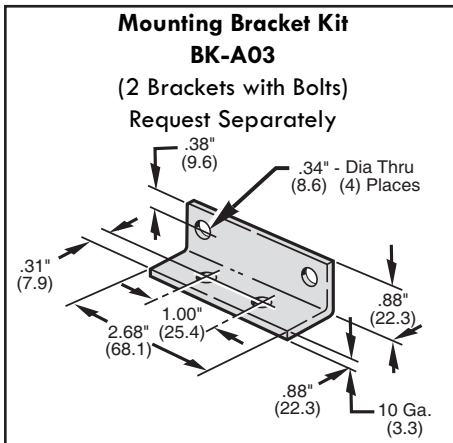
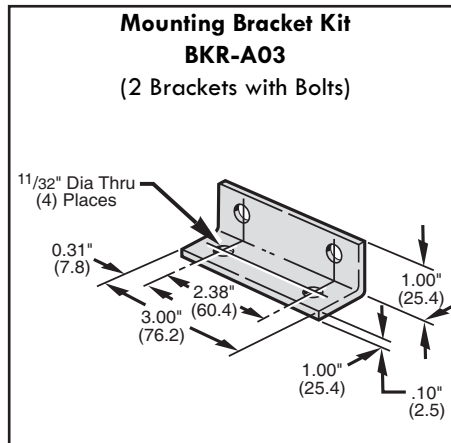


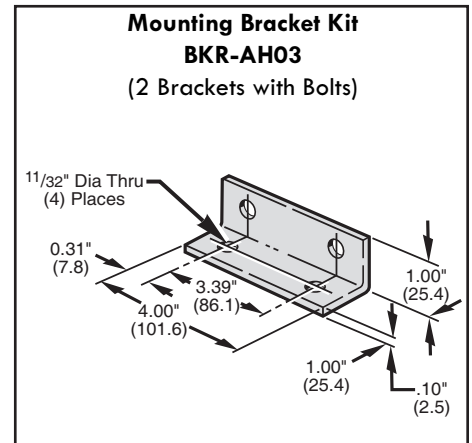
**D03 Bar Manifold
Parallel & Series**



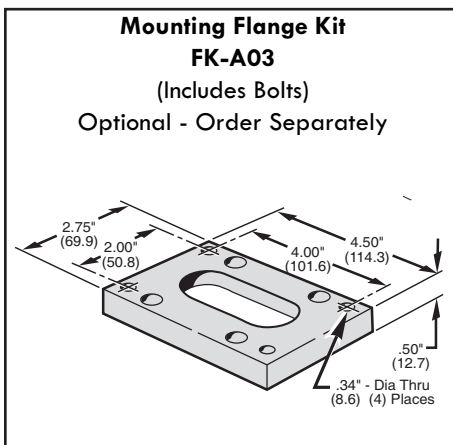
**D03 Standard Flow
Retro Design Manifold**



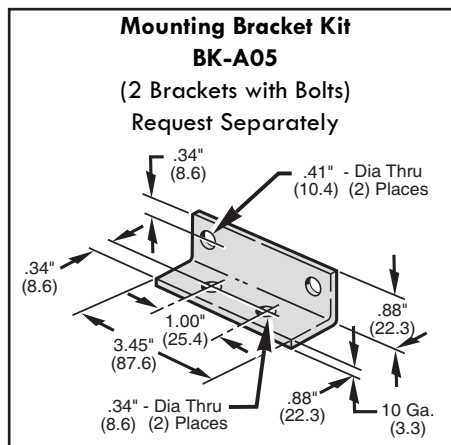
**D03 High Flow
Retro Design Manifold**



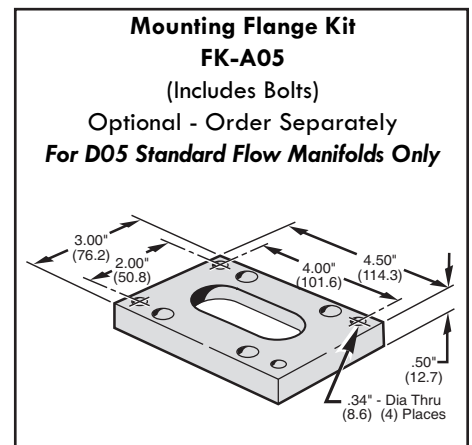
**D03 Bar Manifold
Parallel & Series**



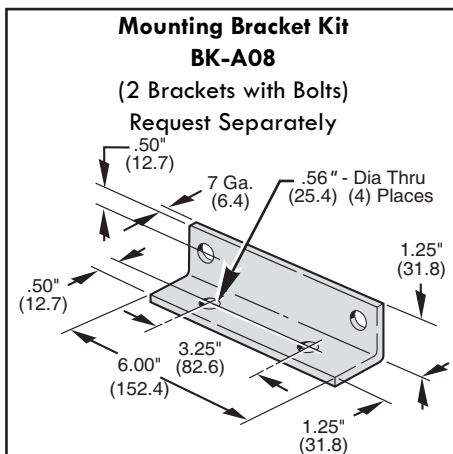
**D05 Bar Manifold
Parallel & Series**



**D05 Bar Manifold
Parallel & Series**



**D08 Bar Manifold
Parallel & Series**



**D08 High Flow
Retro Design Manifold**

