

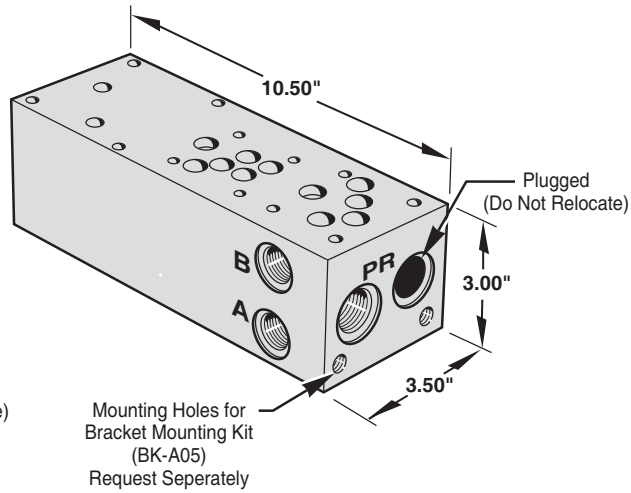
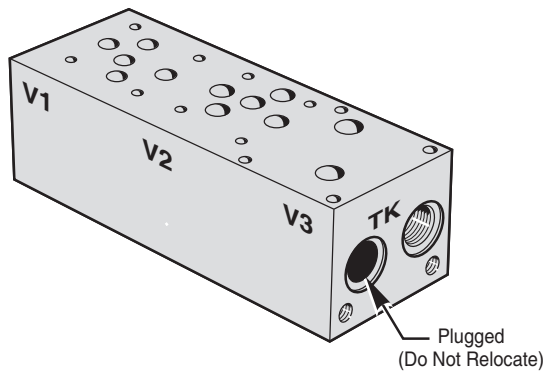
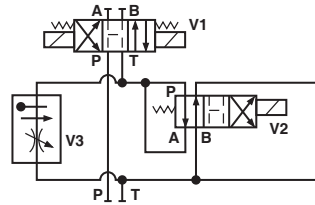
Integrated Circuit Manifold

D05 Tank Line Feed Control Manifold

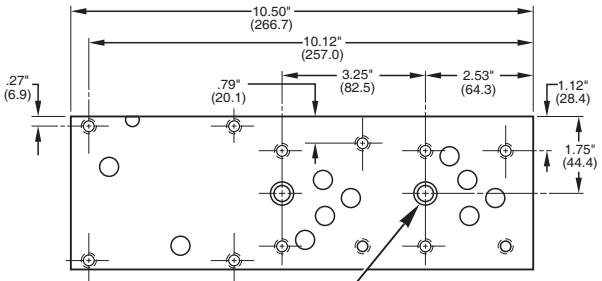
The integrated circuit manifold, Number IC-A05x11-0 and IC-S05x11-0, provides a "Meter Out" pressure compensated flow control circuit. The flow control is placed in the tank line to allow control in either/both direction(s) of travel. Selector valve (V2) allows electrical switching from rapid travel (nominal flow of 10 GPM) to feed (from fractional to 6.5 GPM). Note: Single rod end cylinders will not have the same speed in both directions.

Valves Required

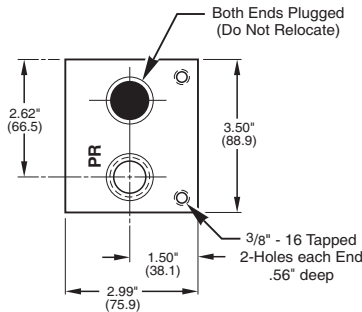
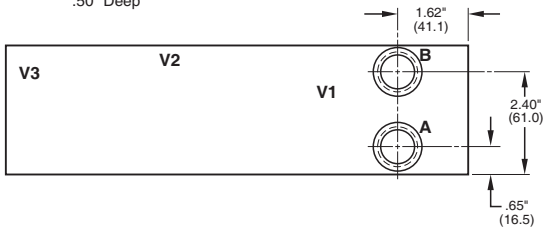
- V1 — Directional Control Valve (NFA DO5)
- V2 — Directional Control Valve, Spring Off-Set (NFA DO5)
- V3 — Pressure Compensated Flow Control (NFA 2F02)



2



Two Counterbored Mounting Holes for
5/16" Socket Head Cap Screws
.50" Deep



Port Designation	IC_05P11-0	IC_05S11-0
A & B	1/2" NPTF	#8 SAE
PR	3/4" NPTF	#12 SAE
TK	3/4" NPTF	#12 SAE

Part Number	
SAE	IC-A05S11-0 Aluminum IC-S05S11-0 Ductile/Steel
NPT	IC-A05P11-0 Aluminum IC-S05P11-0 Ductile/Steel

NOTE: For Mounting Bracket Kit (BK-A05) dimensions, see page 1-14.

MAGNALOY IC MANIFOLD PART NUMBER BREAKDOWN

