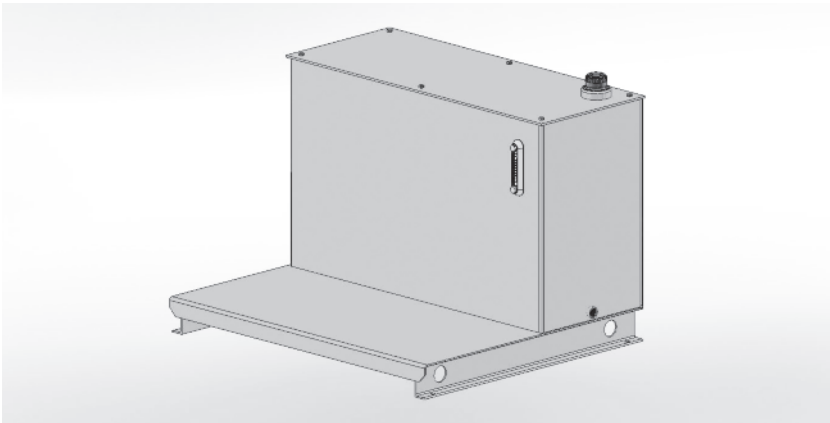


# L Series Reservoirs

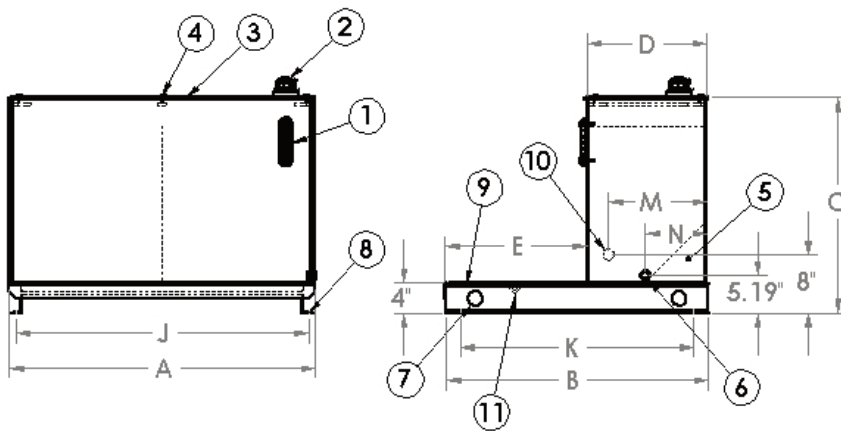
## RLPxx-RT Series Reservoirs:



Size	Form	Top	Bottom	Baffle
10 gal	7 ga	1/4"	7 ga	11 ga
20 gal	7 ga	1/4"	7 ga	11 ga
30 gal	7 ga	1/4"	7 ga	11 ga
45 gal	7 ga	1/4"	7 ga	11 ga
60 gal	7 ga	1/4"	7 ga	11 ga
80 gal	7 ga	1/4"	3/8"	11 ga
100 gal	7 ga	1/4"	3/8"	11 ga
120 gal	7 ga	1/4"	3/8"	11 ga
150 gal	7 ga	1/4"	3/8"	11 ga
200 gal	7 ga	1/4"	3/8"	11 ga

### Includes:

- 1 - Sight Level Gauge (front mount) (SLLG-05T-C)
  - 2 - Filler Breather Cap and Riser (FB-H008)
  - 3 - Removable Top w/Gasket
  - 4 - 6 Bolts to Secure Top
  - 5 - Baffles w/Circulation Cutout
  - 6 - 3/4" NPT Tank Drain
  - 7 - Lifting Holes in Channel Ends
  - 8 - 9/16 Dia Holes, 2 per Channel
  - 9 - Optional Porch Sizes - consult factory
  - 10 - Return Line Connection - "O" NPT
  - 11 - Bottom Stiffener
- Primer Coated Exterior  
Rust Inhibitor Coated Interior



Part Number	Capacity Gallons	Reservoir Dimensions (Inches)							Return Connections		
		A	B	C	D	E	J	K	M	N	O
RLP010-RT	10	24	22	26.56	6.5	15.44	22.25	18	4.5	3.25	1/2"
RLP020-RT	20	36	27	26.56	7.5	19.44	34.25	23	5.5	3.75	1"
RLP030-RT	30	36	30	28.56	10.5	19.44	34.25	26	7.5	5.25	1 1/2"
RLP045-RT	45	42	36	29.56	12.5	23.44	40.25	32	9.5	6.25	1 1/2"
RLP060-RT	60	42	36	29.56	16.5	19.44	40.25	32	13.5	8.25	1 1/2"
RLP080-RT	80	48	42	30.56	18.5	23.5	46.25	38	15.5	9.25	1 1/2"
RLP100-RT	100	50	47	31.56	21.5	25.5	48.25	43	18.5	10.75	2"
RLP120-RT	120	52	50	32.56	22.5	27.5	50.25	46	19.5	11.25	2"
RLP150-RT	150	60	50	33.56	22.5	27.5	58.25	46	19.5	11.25	2"
RLP200-RT	200	60	57	40.56	25.5	31.5	58.25	53	22.5	12.75	2"

**NOTE:** Due to Magnaloy's policy of continuous improvement, specifications are subject to change without notice.