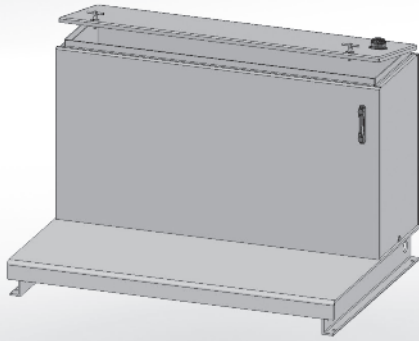
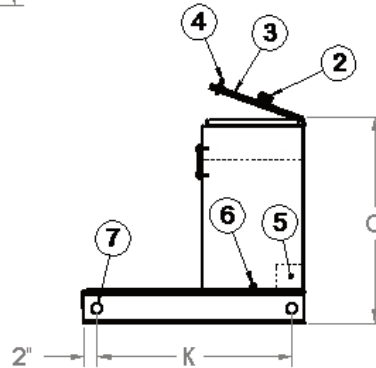
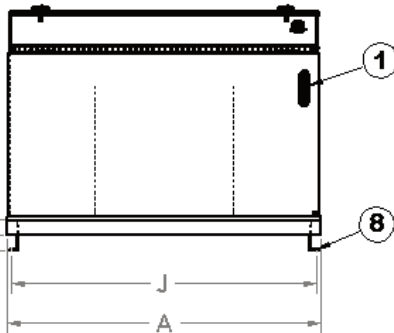
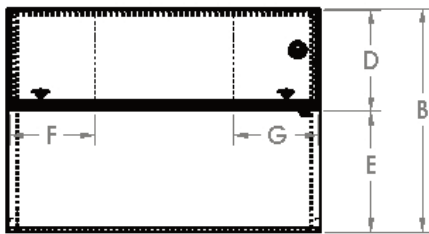


RLPxx-HT Series Reservoirs:



| Size | Form | Top | Bottom | Baffle |
|---------|------|-------|--------|--------|
| 10 gal | 7 ga | 11 ga | 7 ga | 11 ga |
| 20 gal | 7 ga | 11 ga | 7 ga | 11 ga |
| 30 gal | 7 ga | 11 ga | 7 ga | 11 ga |
| 45 gal | 7 ga | 11 ga | 7 ga | 11 ga |
| 60 gal | 7 ga | 11 ga | 7 ga | 11 ga |
| 80 gal | 7 ga | 11 ga | 3/8" | 11 ga |
| 100 gal | 7 ga | 11 ga | 3/8" | 11 ga |
| 120 gal | 7 ga | 11 ga | 3/8" | 11 ga |
| 150 gal | 7 ga | 11 ga | 3/8" | 11 ga |
| 200 gal | 7 ga | 11 ga | 3/8" | 11 ga |



Includes:

- 1 - Sight Level Gauge (front mount) (SLLG-05T-C)
 - 2 - Filler Breather Cap (FB-H008)
 - 3 - Hinged Top w/Gasket
 - 4 - T-Handles to Secure Top
 - 5 - Baffles w/Circulation Cutout
 - 6 - 3/4" NPT Tank Drain
 - 7 - Lifting Holes in Channel Ends
 - 8 - 9/16 Dia Holes, 2 per Channel
- Primer Coated Exterior
Rust Inhibitor Coated Interior

4

| Part Number | Capacity Gallons | Reservoir Dimensions (Inches) | | | | | | | | | |
|-------------|------------------|-------------------------------|-------|-------|-------|-------|-----|----|------|-------|----|
| | | A | B | C | D | E | F | G | H | J | K |
| RLP010-HT | 10 | 24 | 23.38 | 23.88 | 11.13 | 12.25 | N/A | 11 | 6.18 | 22.25 | 19 |
| RLP020-HT | 20 | 30 | 27.38 | 25.88 | 13.5 | 13.88 | N/A | 12 | 6.18 | 28.25 | 23 |
| RLP030-HT | 30 | 36 | 30.38 | 29.88 | 13.75 | 16.63 | N/A | 12 | 6.18 | 34.25 | 26 |
| RLP045-HT | 45 | 54 | 31.38 | 29.88 | 13.75 | 17.63 | 12 | 12 | 6.18 | 52.25 | 27 |
| RLP060-HT | 60 | 48 | 37.38 | 35.88 | 16.75 | 20.63 | N/A | 16 | 6.18 | 46.25 | 33 |
| RLP080-HT | 80 | 66 | 38.56 | 36.06 | 16.38 | 22 | 16 | 16 | 6.38 | 64.25 | 34 |
| RLP100-HT | 100 | 60 | 42.56 | 39.06 | 19.38 | 23 | N/A | 16 | 6.38 | 58.25 | 38 |
| RLP120-HT | 120 | 72 | 42.56 | 39.06 | 19.38 | 23 | 16 | 16 | 6.38 | 70.25 | 38 |
| RLP150-HT | 150 | 72 | 50.56 | 39.06 | 25.38 | 25 | N/A | 16 | 6.38 | 70.25 | 46 |
| RLP200-HT | 200 | 84 | 51.56 | 42.06 | 25.38 | 26 | 16 | 16 | 6.38 | 82.25 | 47 |

NOTE: Due to Magnaloy's policy of continuous improvement, specifications are subject to change without notice.