

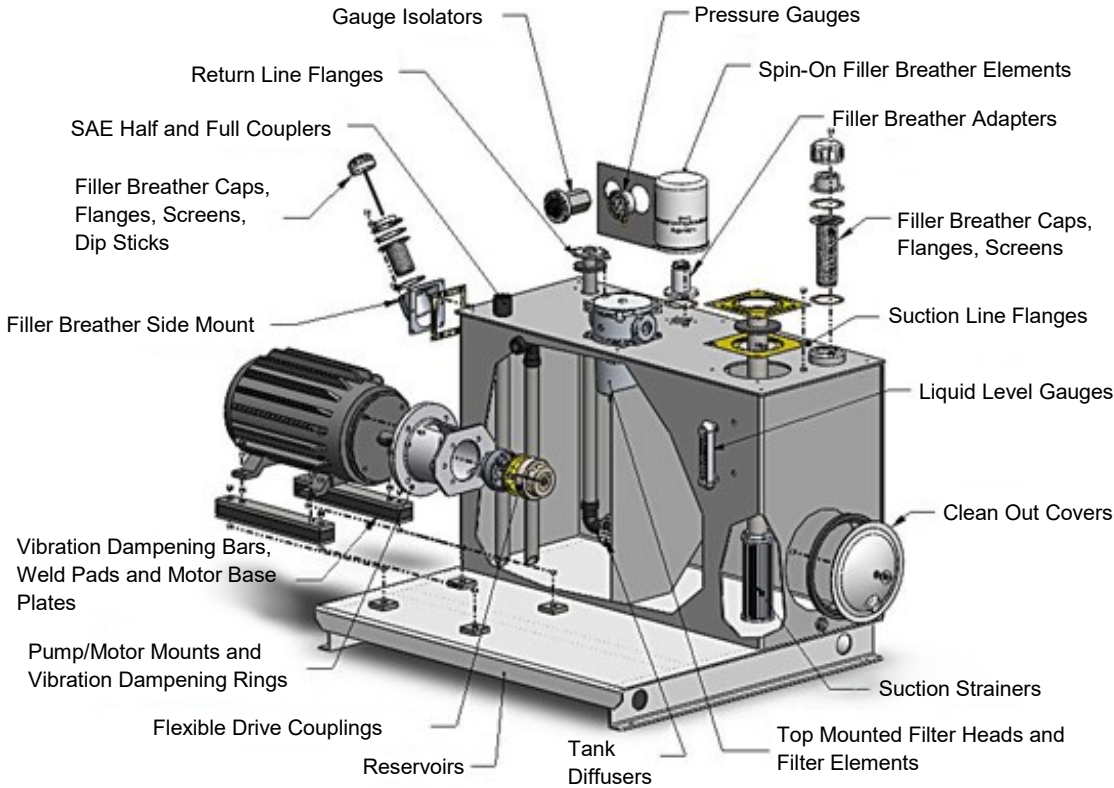


LIST PRICES

Effective February 25,
2026

Subject to change
without notice

**Flexible Drive Couplings PM 90 Coupling Pump/Motor Mounts
Hydraulic Manifolds & Manifold Accessories
Reservoirs Reservoir Accessories Rod End Alignment Couplers Price List**



Product/Price Index	
On Inside Cover.....	i
PREMIUM FLEXIBLE DRIVE COUPLINGS.....	1
PM 90 COUPLINGS.....	3
PUMP/MOTOR MOUNTS.....	4
BAR MANIFOLDS.....	11
INTEGRATED CIRCUIT BAR MANIFOLDS.....	21
SUBPLATES.....	22
COVER PLATES.....	24
VALVE ADAPTORS.....	25
ISOLATION PLUGS.....	25
MANIFOLD ACCESSORIES.....	26
HEADER BAR MANIFOLDS.....	27
JUNCTION BAR MANIFOLDS.....	42
RESERVOIRS.....	48
RESERVOIR ACCESSORIES.....	54
ROD END ALIGNMENT COUPLERS.....	63

PREMIUM FLEXIBLE DRIVE COUPLINGS	
Coupling Hubs and Inserts	1
PM 90 FLEXIBLE DRIVE COUPLINGS	
Coupling Hubs and Insert	3
PUMP/MOTOR MOUNTS	
Horizontal Aluminum Pump/Motor Mounts	4
Vertical Aluminum Pump/Motor Mounts	6
Aluminum Pump/Engine Mount	7
Welded Steel Horizontal Mounts	8
Welded Steel Pump/Engine Mounts	8
Welded Steel Vertical Pump/Motor Mounts	9
Service Window Covers	10
BAR MANIFOLDS	
D03 Standard Design Parallel	11
D03 Standard Design Series	12
D03 Standard Flow Retro Design Parallel	13
D03 High Flow Retro Design Parallel	14
D05 Standard Design	15
D05 High Flow Standard Design Parallel	16
D08 Standard Design	18
D08 High Flow Retro Design	19
INTEGRATED CIRCUIT BAR MANIFOLDS	21
SUBPLATES	
D03 Super Saver & Side Ported	22
D05 Super Saver & Side Ported	22
D08 Side Ported	24
COVER PLATES	
D03, D05 & D08 Cover Plates	24
VALVE ADAPTORS	25
ISOLATION PLUGS	25
MANIFOLD ACCESSORIES	
Pilot Adaptors, Unloading Modules, Orifice Plates, Tapping Plated	26
Relief Valve Cartridge	26
HEADER BAR MANIFOLDS	
0 Degree	27
90 Degree	30
180 Degree	33
270 Degree	38
JUNCTION BAR MANIFOLDS	
90 Degree	42
180 Degree	44
270 Degree	46
RESERVOIRS	
Vertical Econo & Dual Reservoirs	48
JIC Reservoirs	49
L Series Reservoirs	50
T Series Reservoirs	50
Horizontal Series Reservoirs	51
DIN Style Reservoirs	51
Drip Pans & Stacking Modules for JIC Reservoirs	52
End Covers	53
RESERVOIR ACCESSORIES	
Filler Breathers	54
Reservoir Flanges	55
SAE Full & Half Couplings	56
Channel Mounted Cushion Clamps	56
Suction Strainers	57
Tank Diffusers	58
Filter Heads & Elements	58
Pressure Gauges	60
Gauge Isolators	61
Pressure Switch	61
Liquid Level Gauges	61
Motor Base Plates	61
Motor Dampening Bars	62
Modular O'Ring Kit	63
ROD END COUPLERS M and R Series	63

Couplings, Inserts



Coupling Model No.	Std. Max Bore	Hub Only Bored & Keyed	Hub Only No Bore
100	1 1/8	\$29.00	\$24.00
200	1 3/8	\$32.00	\$26.00
300	1 5/8	\$41.00	\$37.00
400	1 7/8	\$58.00	\$54.00
500	2 3/8	\$81.00	\$75.00
600	2 5/8	\$125.00	\$109.00
700	2 7/8	\$205.00	\$187.00
800	3 7/8	\$379.00	\$351.00
900	4 3/4	\$1,172.00	\$1,048.00

PART NUMBER USAGE:

Magnaloy Coupling INSERT part numbers may be specified using the following format:

Start with the Basic Insert Part Number followed by the 2 digit material code. **ie. M170U9**

Basic Insert Part No.	Neoprene		Urethane		Viton		Hytrel		Buna N		EPDM	
	Code	List Price	Code	List Price	Code	List Price	Code	List Price	Code	List Price	Code	List Price
M170	N6	\$6.00	U9	\$13.00	V8	\$44.00	H5	\$14.00	B8	\$10.00	E8	\$18.00
M270	N6	\$10.00	U9	\$15.00	V8	\$59.00	H5	\$16.00	B8	\$13.00	E8	\$37.00
M370	N6	\$13.00	U9	\$19.00	V8	\$70.00	H5	\$20.00	B8	\$16.00	E8	\$39.00
M470	N7	\$15.00	U9	\$26.00	V8	\$104.00	H5	\$28.00	B8	\$21.00	E8	\$41.00
M570	N7	\$19.00	U9	\$32.00	V8	\$182.00	H5	\$37.00	B8	\$26.00	E8	\$54.00
M670	N7	\$27.00	U9	\$58.00	V8	\$224.00	H5	\$63.00	B8	\$35.00	E8	\$79.00
M770	N8	\$51.00	U9	\$88.00	V8	\$497.00	H5	\$91.00	B8	\$104.00	E8	\$126.00
M870	N8	\$140.00	U9	\$142.00	V8	\$1,116.00	H5	\$149.00	B8	\$174.00	E8	\$230.00
M970	N8	\$160.00	U9	\$431.00	V8	\$3,111.00	H5	N/A	B8	N/A	E8	N/A

*Shaded Area - Semi Standard
No Additional Cost*

Magnaloy "Standard" Bore & Keyway Combinations									
Model Code Bore/Key	Bore & Key	100	200	300	400	500	600	700	800
M__01203	3/8 x 3/32	o	o						
M__01403	7/16 x 3/32	o	o						
M__01404	7/16 x 1/8	o	o						
M__01604	1/2 x 1/8	o	o	o					
M__01804	9/16 x 1/8	o	o	o					
M__02005	5/8 x 5/32	o	o	o					
M__02006	5/8 x 3/16	o	o	o	o				
M__02206	11/16 x 3/16	o	o	o	o				
M__02404	3/4 x 1/8	o	o	o					
M__02406	3/4 x 3/16	o	o	o	o	o	o		
M__02806	7/8 x 3/16	o	o	o	o	o	o		
M__02808	7/8 x 1/4	o	o	o	o	o	o		
M__03008	15/16 x 1/4	o	o	o					
M__10006	1 x 3/16	o	o	o	o	o	o		
M__10008	1 x 1/4	o	o	o	o	o	o		
M__10408	1 1/8 x 1/4	o	o	o	o	o	o		
M__10608	1 3/16 x 1/4			o	o				
M__10808	1 1/4 x 1/4		o	o	o	o	o		
M__10810	1 1/4 x 5/16		o	o	o	o	o	o	o
M__11210	1 3/8 x 5/16		o	o	o	o	o	o	o
M__11212	1 3/8 x 3/8			o					
M__11412	1 7/16 x 3/8			o	o	o			
M__11610	1 1/2 x 5/16			o	o	o	o		
M__11612	1 1/2 x 3/8			o	o	o	o	o	o
M__12012	1 5/8 x 3/8			o	o	o	o	o	o
M__12412	1 3/4 x 3/8				o	o	o	o	o

Magnaloy "Standard" Bore & Keyway Combinations									
Model Code Bore/Key	Bore & Key	200	300	400	500	600	700	800	900
M 12414	1 3/4 x 7/16			o	o	o	o	o	
M 12816	1 7/8 x 1/2			o	o	o	o	o	o
M 13016	1 15/16 x 1/2				o	o			
M 20016	2 x 1/2				o	o	o	o	o
M 20416	2 1/8 x 1/2				o	o	o	o	o
M 20816	2 1/4 x 1/2				o	o	o	o	o
M 21220	2 3/8 x 5/8				o	o	o	o	o
M 21620	2 1/2 x 5/8					o	o	o	o
M 22020	2 5/8 x 5/8					o	o	o	o
M 22420	2 3/4 x 5/8						o	o	o
M 22824	2 7/8 x 3/4						o	o	o
M 30024	3 x 3/4							o	o
M 30824	3 1/4 x 3/4							o	o
M 31228	3 3/8 x 7/8							o	o
M 31628	3 1/2 x 7/8							o	o
M 32028	3 5/8 x 7/8							o	o
M 32428	3 3/4 x 7/8							o	o
M 32832	3 7/8 x 1							o	o
M 40032	4 x 1								o
M 40432	4 1/8 x 1								o
M 40832	4 1/4 x 1								o
M 41232	4 3/8 x 1								o
M 41632	4 1/2 x 1								o
M 41640	4 1/2 x 1 1/4								o
M 42040	4 5/8 x 1 1/4								o
M 42440	4 3/4 x 1 1/4								o

PART NUMBER USAGE: Magnaloy Coupling HUB part numbers may be specified using the following format: Start with letter "M" designating Magnaloy, followed by 3 digit Model Code (100, 200, 300, etc), the the specific 5 digit Bore Key Code.

Special Bores & Double Set Screws

Coupling Model No.	* Special & Metric Bore	Double Set Screws
100	\$43.00	\$31.00
200	\$44.00	\$33.00
300	\$55.00	\$44.00
400	\$77.00	\$62.00
500	\$103.00	\$86.00
600	\$157.00	\$129.00
700	\$242.00	\$214.00
800	\$417.00	\$388.00
900	\$1,217.00	\$1,182.00

SPECIAL SERVICES for special machining services, ie.: taper bores, snap ring grooves, facing, special sized keyways, and couplings altered by factory per customer specifications, consult factory. Factory will also consider bores greater than the standard maximum for

* **Special and Metric** charges for Special Bores, Non-Standard Bore and Keyway Combinations, Standard Metric Bore & Keyways, and Bores

Splined Bores, Steel Bushing and Clamps

Coupling Model Size	Stock Model Sizes							
	Standard Coupling		Group A		Group B		Group C	
	Splined Bore	Splined Bore w/Clamp	Steel Bushed	Steel Bushed w/Clamp	Steel Bushed	Steel Bushed w/Clamp	Steel Bushed	Steel Bushed w/Clamp
100	\$62.00	\$107.00	N/A	N/A	N/A	N/A	N/A	N/A
200	\$62.00	\$103.00	\$141.00	\$195.00	N/A	N/A	N/A	N/A
300	\$74.00	\$115.00	\$153.00	\$207.00	N/A	N/A	N/A	N/A
400	\$91.00	\$131.00	\$170.00	\$224.00	N/A	N/A	N/A	N/A
500	\$110.00	\$153.00	\$196.00	\$255.00	\$212.00	\$270.00	N/A	N/A
600	\$158.00	\$208.00	\$242.00	\$305.00	\$257.00	\$322.00	N/A	N/A
700	\$237.00	\$288.00	QUOTE	QUOTE	\$338.00	\$403.00	N/A	N/A
800	\$582.00	\$633.00	QUOTE	QUOTE	\$515.00	\$580.00	\$580.00	\$645.00
900	N/A	QUOTE	QUOTE	QUOTE	QUOTE	QUOTE	QUOTE	QUOTE

Note: For Non-Stock Size Splines add to Special Bore Price: \$150.00

Splined Bores: The following IN-Plant brochures are all 30° A.P., Flat Root, Side Fit. For other splines, consult

Number of Teeth	Pitch	Pressure Angle (Degrees)	SAE Designation	Major Diameter (Inches)	Standard Coupling		Steel Bushed Coupling		Size Group
					Available Model Sizes	Stock Model Sizes1	Available Model Sizes	Stock Model Sizes1	
9	16/32	30	A	0.625	100-900	100-400	200-900	200-400	A
13	8/16	30	D, E	1.75	400-900	400-700	600-900	600-800	B
13	16/32	30	B	0.875	100-900	100-500	300-900	300-500	A
14	12/24	30	C	1.25	200-900	200-700	500-900	500-700	B
15	16/32	30	BB	1	100-900	300-500	400-900	400-600	A
15	8/16	30	F	2	500-900	500-700	800-900	800	C
17	12/24	30	CC	1.5	300-900	500-700	500-900	500-800	B
21	16/32	30		1.375	300-900	300-600	500-900	500, 600	B
23	16/32	30		1.5	300-900	500-600	500-900	500-700	B
27	16/32	30		1.75	400-900	500-700	600-900	600, 800	B
40	16/32	30		2.562	600-900	NONE	800-900	NONE	C

1 Above prices are for splined bores in STOCK MODEL SIZES only - for other model sizes, consult factory.

	Hub Only
Standard Bore/Key	\$14.00
Semi-Standard Bore/Key*	\$26.00

* Semi-Standard Bore/Key combinations are shown as shaded in the chart below. For quantities greater than 50 pieces, consult factory. All other Bore/Key combinations, consult factory for price and availability. Other Bore/Keyway combinations available - consult factory for price and availability.

Inserts

Insert Part No.	Insert Material	List Price
P097N7	Nitrile	\$5.00
P097U9	Urethane	\$10.00
P097H5	Hytrel	\$11.00
P097V8	Viton	\$40.00

Standard Bore/Keyway Combinations available with PM 90 Model Coupling

Part Number	Bore	Number of Set Screws *	Set Screw Size
P090014N	7/16 - No Keyway	Single Set Screw	1/4 - 20 UNC
P09001403	7/16 x 3/32	Single Set Screw	1/4 - 20 UNC
P09001404	7/16 x 1/8	Single Set Screw	1/4 - 20 UNC
P09001604	1/2 x 1/8	Double Set Screw	1/4 - 20 UNC
P09001804	9/16 x 1/8	Double Set Screw	1/4 - 20 UNC
P09002005	5/8 x 5/32	Double Set Screw	1/4 - 20 UNC
P09002006	5/8 x 3/16	Double Set Screw	1/4 - 20 UNC
P09002206	11/16 x 3/16	Double Set Screw	1/4 - 20 UNC
P09002404	3/4 x 1/8	Double Set Screw	1/4 - 20 UNC
P09002406	3/4 x 3/16	Double Set Screw	1/4 - 20 UNC
P09002806	7/8 x 3/16	Double Set Screw	1/4 - 20 UNC
P09002808	7/8 x 1/4	Double Set Screw	1/4 - 20 UNC
P09010006	1 x 3/16	Double Set Screw	1/4 - 20 UNC
P09010008	1 x 1/4	Double Set Screw	1/4 - 20 UNC
P09010408	1 1/8 x 1/4	Double Set Screw	1/4 - 20 UNC

Shaded items above are Semi-Standard for PM90 Couplings

* Double set screws are located over the keyway and 45° from the keyway on all bores 1/2 inch and over. Under 1/2 inch a single set screw is located between drive lugs, over keyway.

ORDERING INFORMATION:

When ordering Type PM Couplings, order by Hub and Insert (ie. 2 hubs and 1 insert equal a complete coupling). Specify quantity and part number or type, model size, and bore & keyway for each hub, and quantity and part number or type, model size and material for each insert.

- IE. 35 P09002006 or PM 90 Hub 5/8 x 3/16
- 35 P09010408 or PM 90 Hub 1 1/8 x 1/4
- 35 P097N7 or PM 97 Insert - Nitrile 70 Durometer

Cast Aluminum Horizontal Mounts

NEMA Frame Motors

Part Number	Approx. Weight	List Price
M056354F	2.5#	\$54.00
M056352AA	2.5#	\$54.00
M056352A	2.0#	\$54.00
M0563563M(S)	2.0#	\$94.00
M0563580M(S)	2.0#	\$94.00
M056424F	3.0#	\$54.00
M056422AA	2.5#	\$54.00
M056422A	2.5#	\$54.00
M0564263M(S)	2.5#	\$94.00
M0564280M(S)	2.5#	\$94.00
M056454F	3.0#	\$54.00
M056452AA	3.0#	\$54.00
M056452A	2.5#	\$54.00
M0564563M(S)	2.5#	\$94.00
M0564580M(S)	2.5#	\$94.00
M056504F	3.0#	\$94.00
M056502AA	3.0#	\$94.00
M056502A	3.5#	\$94.00
M056502B	3.0#	\$99.00
M0565063M(S)	3.5#	\$135.00
M0565080M(S)	3.5#	\$135.00
M05650100M	3.0#	\$135.00
M056524F	4.5#	\$99.00
M056522AA	4.5#	\$99.00
M056522A	4.0#	\$99.00
M056522B	4.0#	\$104.00
M0565263M(S)	4.0#	\$135.00
M0565280M(S)	4.0#	\$135.00
M05652100M	3.5#	\$135.00
M182474F	5.0#	\$88.00
M182472AA	5.0#	\$88.00
M182472A	4.5#	\$88.00
M1824763M(S)	4.0#	\$142.00
M1824780M(S)	4.0#	\$142.00
M182504F	5.0#	\$75.00
M182502AA	5.0#	\$75.00
M182502A	4.5#	\$75.00
M1825063M(S)	4.0#	\$142.00
M1825080M(S)	4.0#	\$142.00

Part Number	Approx. Weight	List Price
M182524F	5.0#	\$75.00
M182522AA	5.0#	\$75.00
M182522A	5.0#	\$75.00
M182522B	5.5#	\$81.00
M182522C	5.0#	\$86.00
M1825263M(S)	5.0#	\$142.00
M1825280M(S)	5.0#	\$142.00
M18252100M	5.5#	\$142.00
M18252125M	5.0#	\$142.00
M182584F	5.0#	\$86.00
M182582AA	5.0#	\$86.00
M182582A	5.0#	\$86.00
M182582B	6.0#	\$86.00
M182582C	5.5#	\$98.00
M1825863M(S)	5.0#	\$142.00
M1825880M(S)	5.0#	\$142.00
M18258100M	6.0#	\$142.00
M18258125M	5.0#	\$142.00
M182602B	6.0#	\$98.00
M182602C	6.0#	\$103.00
M18260100M	6.0#	\$158.00
M18260125M	5.5#	\$158.00
M182684F	5.0#	\$94.00
M182682AA	5.0#	\$94.00
M182682A	5.5#	\$94.00
M182682B	6.0#	\$98.00
M182682C	6.0#	\$103.00
M1826863M(S)	5.5#	\$158.00
M1826880M(S)	5.5#	\$158.00
M18268100M	6.0#	\$158.00
M18268125M	6.0#	\$158.00
M182702B	6.0#	\$110.00
M182702C	6.0#	\$110.00
M18270100M	6.0#	\$176.00
M18270125M	6.0#	\$176.00

Part Number	Approx. Weight	List Price
M284682A	9.0#	\$171.00
M284682B	8.5#	\$171.00
M284682C	8.0#	\$171.00
M2846863M(S)	9.0#	\$223.00
M2846880M(S)	9.0#	\$223.00
M28468100M	8.5#	\$223.00
M28468125M	8.0#	\$223.00
M284752A	9.0#	\$179.00
M284752B	9.0#	\$179.00
M284752C	8.5#	\$179.00
M2847563M(S)	9.0#	\$231.00
M2847580M(S)	9.0#	\$231.00
M28475100M	9.0#	\$231.00
M28475125M	8.5#	\$231.00
M284862A	9.0#	\$187.00
M284862B	9.5#	\$187.00
M284862C	9.0#	\$187.00
M2848663M(S)	9.0#	\$244.00
M2848680M(S)	9.0#	\$244.00
M28486100M	9.5#	\$244.00
M28486125M	9.0#	\$244.00
M324762B	16.5#	\$305.00
M324762C	16.0#	\$305.00
M324762D	16.5#	\$305.00
M32476PVR50	16.0#	\$324.00
M32476100M	16.5#	\$368.00
M32476125M	16.0#	\$368.00
M32476160M	15.5#	\$368.00
M32476180M	15.0#	\$368.00
M324872B	18.0#	\$343.00
M324872C	17.5#	\$343.00
M324872D	17.0#	\$349.00
M32487PVR50	17.0#	\$343.00
M32487100M	18.0#	\$424.00
M32487125M	17.0#	\$424.00
M32487160M	17.0#	\$424.00
M32487180M	16.5#	\$424.00

Magnaloy Cast Aluminum Pump/Motors include mounting bolts and washers required to install the pump and motor to the Magnaloy mount. All Magnaloy Pump/Motor Mounts are machined with pump mounting holes to accommodate either 2 bolt or 4 bolt configurations.

Cast Aluminum Horizontal Mounts

IEC Frame Motors

Part Number	Approx. Weight	List Price
M130ML504F	3.0#	\$175.00
M130ML502AA	3.0#	\$175.00
M130ML502A	3.5#	\$175.00
M130ML502B	3.0#	\$209.00
M130ML5063M(S)	3.0#	\$248.00
M130ML5080M(S)	3.5#	\$248.00
M130ML50100M	3.0#	\$248.00
M130ML524F	4.5#	\$179.00
M130ML522AA	4.5#	\$179.00
M130ML522A	4.0#	\$179.00
M130ML522B	4.0#	\$215.00
M130ML5263M(S)	4.5#	\$250.00
M130ML5280M(S)	4.0#	\$250.00
M130ML52100M	3.5#	\$250.00
M180ML504F	7.5#	\$159.00
M180ML502AA	7.5#	\$159.00
M180ML502A	7.0#	\$159.00
M180ML5063M(S)	7.5#	\$225.00
M180ML5080M(S)	7.0#	\$225.00
M180ML524F	7.5#	\$159.00
M180ML522AA	7.5#	\$159.00
M180ML522A	7.0#	\$159.00
M180ML5263M(S)	7.5#	\$225.00
M180ML5280M(S)	7.0#	\$225.00
M180ML552B	5.5#	\$172.00
M180ML552C	5.0#	\$172.00
M180ML55100M	5.0#	\$244.00
M180ML55125M	5.0#	\$244.00
M180ML604F	7.0#	\$163.00
M180ML602AA	7.0#	\$163.00
M180ML602A	7.0#	\$163.00
M180ML602B	8.0#	\$203.00
M180ML602C	7.5#	\$203.00
M180ML6063M(S)	7.0#	\$252.00
M180ML6080M(S)	7.0#	\$252.00
M180ML60100M	8.0#	\$292.00
M180ML60125M	7.5#	\$292.00
M180ML704F	7.5#	\$231.00
M180ML702AA	7.5#	\$231.00
M180ML702A	7.0#	\$231.00
M180ML702B	8.5#	\$238.00
M180ML702C	8.0#	\$238.00
M180ML7063M(S)	7.5#	\$326.00
M180ML7080M(S)	7.0#	\$326.00
M180ML70100M	8.5#	\$326.00
M180ML70125M	8.0#	\$326.00

Part Number	Approx. Weight	List Price
M180ML722B	9.0#	\$238.00
M180ML722C	8.5#	\$238.00
M180ML72100M	9.0#	\$326.00
M180ML72125M	8.0#	\$326.00
M230ML524F	7.5#	\$211.00
M230ML522AA	7.5#	\$211.00
M230ML522A	7.0#	\$211.00
M230ML522B	8.0#	\$218.00
M230ML522C	7.0#	\$218.00
M230ML5263M(S)	7.5#	\$326.00
M230ML5280M(S)	7.0#	\$326.00
M230ML52100M	7.5#	\$326.00
M230ML52125M	7.0#	\$326.00
M230ML554F	7.5#	\$211.00
M230ML552AA	7.5#	\$211.00
M230ML552A	7.0#	\$211.00
M230ML552B	8.0#	\$218.00
M230ML552C	7.0#	\$218.00
M230ML5563M(S)	7.5#	\$326.00
M230ML5580M(S)	7.0#	\$326.00
M230ML55100M	7.5#	\$326.00
M230ML55125M	7.0#	\$326.00
M230ML604F	7.0#	\$211.00
M230ML602AA	7.0#	\$211.00
M230ML602A	7.0#	\$211.00
M230ML602B	8.0#	\$218.00
M230ML602C	7.5#	\$218.00
M230ML6063M(S)	7.0#	\$326.00
M230ML6080M(S)	7.0#	\$326.00
M230ML60100M	8.0#	\$326.00
M230ML60125M	7.5#	\$326.00
M230ML704F	7.5#	\$245.00
M230ML702AA	7.5#	\$245.00
M230ML702A	7.0#	\$245.00
M230ML702B	8.5#	\$251.00
M230ML702C	8.0#	\$251.00
M230ML7063M(S)	7.5#	\$326.00
M230ML7080M(S)	7.0#	\$326.00
M230ML70100M	8.5#	\$326.00
M230ML70125M	8.0#	\$326.00

Part Number	Approx. Weight	List Price
M250ML782B	16.5#	\$451.00
M250ML782C	16.0#	\$451.00
M250ML782D	16.5#	\$483.00
M250ML78100M	16.5#	\$487.00
M250ML78125M	16.0#	\$487.00
M250ML78160M	15.5#	\$487.00
M250ML78180M	15.0#	\$487.00
M250ML892B	18.0#	\$511.00
M250ML892C	17.5#	\$511.00
M250ML892D	17.0#	\$538.00
M250ML89100M	18.0#	\$538.00
M250ML89125M	17.0#	\$538.00
M250ML89160M	17.0#	\$538.00
M250ML89180M	16.5#	\$538.00

Magnaloy Cast Aluminum Pump/Motors for IEC Metric Frame Motors include mounting bolts and washers required to install the pump to the Magnaloy mount, bolts for installing the Metric Motor to the Mount are NOT included. All Magnaloy Pump/Motor Mounts are machined with pump mounting holes to accommodate either 2 bolt or 4 bolt configurations.

Cast Aluminum Vertical Mounts * **

NEMA Frame Motors

Part Number	Approx. Weight	List Price
M056354FV	2.0#	\$69.00
M056352AAV	2.0#	\$69.00
M056352AV	2.0#	\$69.00
M0563563M(S)V	2.0#	\$99.00
M0563580M(S)V	2.0#	\$99.00
M056424FV	2.5#	\$69.00
M056422AAV	2.5#	\$69.00
M056422AV	2.0#	\$69.00
M0564263M(S)V	2.0#	\$99.00
M0564280M(S)V	2.0#	\$99.00
M056454FV	2.5#	\$72.00
M056452AAV	2.5#	\$72.00
M056452AV	2.0#	\$72.00
M0564563M(S)V	2.0#	\$99.00
M0564580M(S)V	2.0#	\$99.00
M056504FV	3.0#	\$110.00
M056502AAV	3.0#	\$110.00
M056502AV	3.0#	\$110.00
M056502BV	2.5#	\$110.00
M0565063M(S)V	2.5#	\$142.00
M0565080M(S)V	2.5#	\$142.00
M05650100MV	2.5#	\$142.00
M056524FV	4.0#	\$131.00
M056522AAV	4.0#	\$131.00
M056522AV	4.0#	\$131.00
M056522BV	3.5#	\$131.00
M0565263M(S)V	3.5#	\$167.00
M0565280M(S)V	3.5#	\$167.00
M05652100MV	3.5#	\$167.00
M182504FV	7.0#	\$115.00
M182502AAV	7.0#	\$115.00
M182502AV	6.5#	\$115.00
M1825063M(S)V	6.5#	\$162.00
M1825080M(S)V	6.5#	\$162.00

Part Number	Approx. Weight	List Price
M182524FV	7.5#	\$115.00
M182522AAV	7.5#	\$115.00
M182522AV	7.0#	\$115.00
M182522BV	8.0#	\$138.00
M182522CV	7.0#	\$138.00
M1825263M(S)V	7.0#	\$165.00
M1825280M(S)V	7.0#	\$165.00
M18252100MV	7.5#	\$165.00
M18252125MV	7.0#	\$165.00
M182584FV	7.0#	\$115.00
M182582AAV	7.0#	\$115.00
M182582AV	7.0#	\$115.00
M182582BV	8.0#	\$115.00
M182582CV	7.5#	\$115.00
M1825863M(S)V	7.0#	\$165.00
M1825880M(S)V	7.0#	\$165.00
M18258100MV	8.0#	\$165.00
M18258125MV	7.5#	\$165.00
M182684FV	7.5#	\$126.00
M182682AAV	7.5#	\$126.00
M182682AV	7.0#	\$126.00
M182682BV	8.5#	\$130.00
M182682CV	8.0#	\$130.00
M1826863M(S)V	7.0#	\$178.00
M1826880M(S)V	7.0#	\$178.00
M18268100MV	8.5#	\$178.00
M18268125MV	8.0#	\$178.00
M182702BV	8.5#	\$137.00
M182702CV	8.0#	\$137.00
M18270100MV	8.5#	\$194.00
M18270125MV	8.0#	\$194.00

* Mount Kits for the 182 Motor Frame Group Vertical mounts do not include hardware to

** Vertical Mounts in the 182 Motor Frame Group include the Gasket.

Cast Aluminum Vertical Gaskets

Part Number	Description	List Price
M056VG-NI	NEMA 56C thru 145TC Vertical Mounting Gasket (Option A) (thick Nitrile (70D) material)	\$13.00
M182AVG-NI ***	NEMA 182TC thru 256TC Vertical Mounting Gasket with SAE A Flange and SMALLER Pumps (Option A) (thick Nitrile (70D) material)	\$22.00
M182BVG	NEMA 182TC thru 256TC Vertical Mounting Gasket with SAE B Flange and LARGER Pumps (Option B) included with Mount	\$33.00

Cast Aluminum Engine Mounts

Part Number	Approx. Weight	List Price
E575504F	4.0#	\$85.00
E575502AA	4.0#	\$85.00
E575502A	4.0#	\$85.00
E575502B	4.0#	\$85.00
E5755063M(S)	4.0#	\$113.00
E5755080M(S)	4.0#	\$113.00
E57550100M	4.0#	\$113.00
E575524F	5.0#	\$88.00
E575522AA	5.0#	\$88.00
E575522A	4.5#	\$88.00
E575522B	4.5#	\$88.00
E5755263M(S)	4.5#	\$114.00
E5755280M(S)	4.5#	\$114.00
E57552100M	4.5#	\$114.00
E575604F	5.0#	\$94.00
E575602AA	5.0#	\$94.00
E575602A	5.0#	\$94.00
E575602B	6.0#	\$98.00
E5756063M(S)	6.0#	\$131.00
E5756080M(S)	6.0#	\$131.00
E57560100M	6.0#	\$131.00
E644504F	5.0#	\$109.00
E644502AA	5.0#	\$109.00
E644502A	4.5#	\$109.00
E6445063M(S)	4.5#	\$171.00
E6445080M(S)	4.5#	\$171.00
E644554F	5.0#	\$109.00
E644552AA	5.0#	\$109.00
E644552A	5.0#	\$109.00
E644552B	5.5#	\$109.00
E6445563M(S)	5.0#	\$171.00
E6445580M(S)	5.0#	\$171.00
E64455100M	5.5#	\$171.00
E644604F	5.5#	\$114.00
E644602AA	5.5#	\$114.00
E644602A	5.0#	\$114.00
E644602B	6.0#	\$114.00
E644602C	6.0#	\$114.00
E6446063M(S)	5.0#	\$176.00
E6446080M(S)	5.0#	\$176.00
E64460100M	6.0#	\$176.00
E64460125M	6.0#	\$176.00

Part Number	Approx. Weight	List Price
E644704F	5.5#	\$115.00
E644702AA	5.5#	\$115.00
E644702A	5.5#	\$115.00
E644702B	6.0#	\$115.00
E644702C	6.0#	\$115.00
E6447063M(S)	5.5#	\$179.00
E6447080M(S)	5.5#	\$179.00
E64470100M	6.0#	\$179.00
E64470125M	6.0#	\$179.00
E644722B	6.5#	\$115.00
E644722C	6.0#	\$115.00
E64472100M	6.5#	\$179.00
E64472125M	6.0#	\$179.00
E700504F	5.0#	\$115.00
E700502AA	5.0#	\$115.00
E700502A	4.5#	\$115.00
E7005063M(S)	4.5#	\$181.00
E7005080M(S)	4.5#	\$181.00
E700554F	5.0#	\$115.00
E700552AA	5.0#	\$115.00
E700552A	5.0#	\$115.00
E700552B	5.5#	\$115.00
E7005563M(S)	5.0#	\$181.00
E7005580M(S)	5.0#	\$181.00
E70055100M	5.5#	\$181.00
E700604F	5.0#	\$115.00
E700602AA	5.0#	\$115.00
E700602A	5.0#	\$115.00
E700602B	6.0#	\$115.00
E700602C	5.5#	\$115.00
E7006063M(S)	5.0#	\$181.00
E7006080M(S)	5.0#	\$181.00
E70060100M	6.0#	\$181.00
E70060125M	5.5#	\$181.00
E700704F	5.0#	\$123.00
E700702AA	5.0#	\$123.00
E700702A	5.5#	\$123.00
E700702B	6.0#	\$123.00
E700702C	6.0#	\$123.00
E7007063M(S)	5.5#	\$190.00
E7007080M(S)	5.5#	\$190.00
E70070100M	6.0#	\$190.00
E70070125M	6.0#	\$190.00

Part Number	Approx. Weight	List Price
E700722B	6.0#	\$123.00
E700722C	6.0#	\$123.00
E70072100M	6.0#	\$190.00
E70072125M	6.0#	\$190.00
E787682A	9.0#	\$245.00
E787682B	9.0#	\$245.00
E787682C	8.0#	\$245.00
E7876863M(S)	9.0#	\$305.00
E7876880M(S)	9.0#	\$305.00
E78768100M	9.0#	\$305.00
E78768125M	8.0#	\$305.00
E787752A	9.5#	\$245.00
E787752B	9.0#	\$245.00
E787752C	8.5#	\$245.00
E7877563M(S)	9.5#	\$305.00
E7877580M(S)	9.5#	\$305.00
E78775100M	9.0#	\$305.00
E78775125M	8.5#	\$305.00
E787862A	9.5#	\$245.00
E787862B	9.5#	\$245.00
E787862C	9.0#	\$245.00
E7878663M(S)	9.5#	\$305.00
E7878680M(S)	9.5#	\$305.00
E78786100M	9.5#	\$305.00
E78786125M	9.0#	\$305.00

Welded Steel Horizontal Mounts *

Part Number	Length	List Price	
S056 -- 4F	ALL	\$427.00	
S056 -- 2AA		\$427.00	
S056 -- 2A		\$403.00	
S056 -- 2B		\$402.00	
S056 -- 2C		\$427.00	
S056 -- 63M(S)		\$457.00	
S056 -- 80M(S)		\$457.00	
S056 -- 100M		\$457.00	
S056 -- 125M		\$469.00	
S182 -- 4F		ALL	\$583.00
S182 -- 2AA	\$583.00		
S182 -- 2A	\$560.00		
S182 -- 2B	\$560.00		
S182 -- 2C	\$577.00		
S182 -- 2D	\$659.00		
S182 -- PVR50	\$659.00		
S182 -- 63M(S)	\$587.00		
S182 -- 80M(S)	\$587.00		
S182 -- 100M	\$587.00		
S182 -- 125M	\$607.00		
S182 -- 160M	\$740.00		
S182 -- 180M	\$740.00		
S284 -- 2A	ALL		\$537.00
S284 -- 2B			\$537.00
S284 -- 2C		\$547.00	
S284 -- 2D		\$618.00	
S284 -- PVR50		\$618.00	
S284 -- 2E		\$829.00	
S284 -- 2F		\$829.00	
S284 -- 63M(S)		\$564.00	
S284 -- 80M(S)		\$595.00	
S284 -- 100M		\$595.00	
S284 -- 125M		\$574.00	
S284 -- 160M		\$686.00	
S284 -- 180M		\$668.00	
S284 -- 200M		\$668.00	
S284 -- 250M		\$704.00	
S324 -- 2A	UP TO 8 INCHES	\$622.00	
S324 -- 2B		\$622.00	
S324 -- 2C		\$622.00	
S324 -- 2D		\$685.00	
S324 -- PVR50		\$685.00	
S324 -- 2E		\$693.00	
S324 -- 2F		\$704.00	
S324 -- 63M(S)		\$690.00	
S324 -- 80M(S)		\$654.00	
S324 -- 100M		\$690.00	
S324 -- 125M		\$700.00	
S324 -- 160M		\$757.00	
S324 -- 180M		\$757.00	
S324 -- 200M		\$757.00	
S324 -- 250M		\$757.00	

Part Number	Length	List Price
S324 -- 2A	OVER 8 INCHES	\$640.00
S324 -- 2B		\$640.00
S324 -- 2C		\$640.00
S324 -- 2D		\$701.00
S324 -- PVR50		\$740.00
S324 -- 2E		\$709.00
S324 -- 2F		\$721.00
S324 -- 63M(S)		\$709.00
S324 -- 80M(S)		\$672.00
S324 -- 100M		\$709.00
S324 -- 125M		\$672.00
S324 -- 160M		\$736.00
S324 -- 180M		\$744.00
S324 -- 200M		\$758.00
S324 -- 250M		\$800.00
S444 -- 2A	UP TO 8.5 INCHES	\$803.00
S444 -- 2B		\$803.00
S444 -- 2C		\$828.00
S444 -- 2D		\$828.00
S444 -- PVR50		\$828.00
S444 -- 2E		\$848.00
S444 -- 2F		\$848.00
S444 -- 63M(S)		\$828.00
S444 -- 80M(S)		\$828.00
S444 -- 100M		\$828.00
S444 -- 125M		\$869.00
S444 -- 160M		\$869.00
S444 -- 180M		\$888.00
S444 -- 200M		\$888.00
S444 -- 250M		\$888.00
S444 -- 2A	OVER 8.5 INCHES	\$836.00
S444 -- 2B		\$836.00
S444 -- 2C		\$853.00
S444 -- 2D		\$853.00
S444 -- PVR50		\$853.00
S444 -- 2E		\$928.00
S444 -- 2F		\$928.00
S444 -- 63M(S)		\$853.00
S444 -- 80M(S)		\$853.00
S444 -- 100M		\$853.00
S444 -- 125M	\$895.00	
S444 -- 160M	\$895.00	
S444 -- 180M	\$972.00	
S444 -- 200M	\$972.00	
S444 -- 250M	\$972.00	

Magnaloy Welded Steel Pump/Motors do not include mounting bolts and washers. All Magnaloy Pump/Motor Mounts are machined with pump mounting holes to accommodate either 2 bolt or 4 bolt configurations.

Welded Steel Engine Mounts *

Part Number	Length	List Price	
SE575 -- 4F	ALL	\$676.00	
SE575 -- 2AA		\$676.00	
SE575 -- 2A		\$676.00	
SE575 -- 63M(S)		\$734.00	
SE575 -- 80M(S)		\$734.00	
SE575 -- 100M	\$734.00		
SE644 -- 4F	ALL	\$940.00	
SE644 -- 2AA		\$940.00	
SE644 -- 2A		\$969.00	
SE644 -- 2B		\$969.00	
SE644 -- 2C		\$969.00	
SE644 -- 2D		\$993.00	
SE644 -- 63M(S)		\$969.00	
SE644 -- 80M(S)		\$969.00	
SE644 -- 100M		\$969.00	
SE644 -- 125M		\$993.00	
SE644 -- 160M	\$993.00		
SE644 -- 180M	\$993.00		
SE700 -- 4F	ALL	\$961.00	
SE700 -- 2AA		\$961.00	
SE700 -- 2A		\$961.00	
SE700 -- 2B		\$961.00	
SE700 -- 2C		\$961.00	
SE700 -- 2D		\$983.00	
SE700 -- 63M(S)		\$961.00	
SE700 -- 80M(S)		\$961.00	
SE700 -- 100M		\$961.00	
SE700 -- 125M		\$983.00	
SE700 -- 160M		\$983.00	
SE700 -- 180M		\$983.00	
SE787 -- 4F		ALL	\$984.00
SE787 -- 2AA			\$984.00
SE787 -- 2A			\$984.00
SE787 -- 2B	\$984.00		
SE787 -- 2C	\$984.00		
SE787 -- 2D	\$1,006.00		
SE787 -- 63M(S)	\$984.00		
SE787 -- 80M(S)	\$984.00		
SE787 -- 100M	\$984.00		
SE787 -- 125M	\$1,006.00		
SE787 -- 160M	\$1,006.00		
SE787 -- 180M	\$1,006.00		

* Magnaloy Welded Steel Mounts do not include mounting bolts and washers.

Welded Steel Vertical Mounts *

Part Number	Length	List Price
S056 -- 4FV	ALL	\$612.00
S056 -- 2AAV		\$612.00
S056 -- 2AV		\$507.00
S056 -- 2BV		\$507.00
S056 -- 2CV		\$571.00
S056 -- 63M(S)V		\$624.00
S056 -- 80M(S)V		\$624.00
S056 -- 100MV		\$624.00
S056 -- 125MV		\$624.00
S182 -- 4FV	ALL	\$702.00
S182 -- 2AAV		\$665.00
S182 -- 2AV		\$644.00
S182 -- 2BV		\$644.00
S182 -- 2CV		\$659.00
S182 -- 2DV		\$740.00
S182 -- 63M(S)V		\$714.00
S182 -- 80M(S)V		\$714.00
S182 -- 100MV		\$714.00
S182 -- 125MV		\$729.00
S182 -- 160MV		\$819.00
S182 -- 180MV		\$842.00
S284 -- 2AV	ALL	\$583.00
S284 -- 2BV		\$583.00
S284 -- 2CV		\$590.00
S284 -- 2DV		\$660.00
S284 -- 2EV		\$714.00
S284 -- 2FV		\$714.00
S284 -- 63M(S)V		\$645.00
S284 -- 80M(S)V		\$645.00
S284 -- 100MV		\$645.00
S284 -- 125MV		\$620.00
S284 -- 160MV		\$730.00
S284 -- 180MV		\$749.00
S284 -- 200MV		\$749.00
S284 -- 250MV		\$749.00
S324 -- 2AV		UP TO 8 INCHES
S324 -- 2BV	\$682.00	
S324 -- 2CV	\$682.00	
S324 -- 2DV	\$682.00	
S324 -- 2EV	\$784.00	
S324 -- 2FV	\$792.00	
S324 -- 63M(S)V	\$769.00	
S324 -- 80M(S)V	\$769.00	
S324 -- 100MV	\$754.00	
S324 -- 125MV	\$754.00	
S324 -- 160MV	\$754.00	
S324 -- 180MV	\$771.00	
S324 -- 200MV	\$786.00	
S324 -- 250MV	\$786.00	

Part Number	Length	List Price
S324 -- 180MV	UP TO 8 INCHES	\$771.00
S324 -- 200MV		\$786.00
S324 -- 250MV		\$786.00
S324 -- 2AV	OVER 8 INCHES	\$739.00
S324 -- 2BV		\$700.00
S324 -- 2CV		\$700.00
S324 -- 2DV		\$761.00
S324 -- 2EV		\$816.00
S324 -- 2FV		\$875.00
S324 -- 63M(S)V		\$775.00
S324 -- 80M(S)V		\$775.00
S324 -- 100MV		\$776.00
S324 -- 125MV		\$735.00
S324 -- 160MV		\$776.00
S324 -- 180MV		\$849.00
S324 -- 200MV	\$820.00	
S324 -- 250MV	\$865.00	
S444 -- 2AV	UP TO 8.5 INCHES	\$825.00
S444 -- 2BV		\$825.00
S444 -- 2CV		\$849.00
S444 -- 2DV		\$849.00
S444 -- 2EV		\$869.00
S444 -- 2FV		\$869.00
S444 -- 63M(S)V		\$866.00
S444 -- 80M(S)V		\$866.00
S444 -- 100MV		\$866.00
S444 -- 125MV		\$892.00
S444 -- 160MV		\$892.00
S444 -- 180MV		\$912.00
S444 -- 200MV		\$912.00
S444 -- 250MV		\$912.00
S444 -- 2AV		OVER 8.5 INCHES
S444 -- 2BV	\$856.00	
S444 -- 2CV	\$873.00	
S444 -- 2DV	\$873.00	
S444 -- 2EV	\$898.00	
S444 -- 2FV	\$898.00	
S444 -- 63M(S)V	\$899.00	
S444 -- 80M(S)V	\$899.00	
S444 -- 100MV	\$899.00	
S444 -- 125MV	\$916.00	
S444 -- 160MV	\$916.00	
S444 -- 180MV	\$942.00	
S444 -- 200MV	\$942.00	
S444 -- 250MV	\$942.00	

*** Magnaloy Welded Steel Pump/Motor Mounts do not include mounting bolts and washers.**

All Magnaloy Pump/Motor Mounts are machined with pump mounting holes to accommodate either 2 bolt or 4 bolt configurations.

Service Window Covers & Special Mounting

Standard Service Window Covers (Color - Orange)

Mount Service Window Covers		
Part * Number	Fits Mount Number	List Price
M056-2	M056__ Horizontal & Vertical	\$7.00
M182-1	M18250__ & M18252__ Horizontal & Vertical E64455__ & E70055__ Engine	\$5.00
M182-2	M18258__ & M18260__ Horizontal & Vertical E64460__ & E70060__ Engine	\$7.00
M182-3	M18268__ & M18270__ Horizontal & Vertical E64470__ & E64472__ Engine E70070__ & E70071__ Engine	\$7.00
M182-4	M18247__ Horizontal E64450__ & E70050__ Engine	\$7.00
M284-1	M28468__ Horizontal E78768__ Engine	\$15.00

Mount Service Window Covers		
Part * Number	Fits Mount Number	List Price
M284-2	M28475__ Horizontal E78775__ Engine	\$15.00
M284-3	M28486__ Horizontal E78786__ Engine	\$15.00
M324-1	M32476__ Horizontal S324 7.57 to 8.70 length	\$18.00
M324-2	M32487__ Horizontal S324 8.70 to 10.20 length	\$18.00
M324-3	S324 8.70 to 10.20 length	\$18.00
M324-4	S324-10.20 to 12.20 length	\$18.00
M324-5	S324- 12.20 and greater length	\$18.00
M444-1	S444 8.95 to 10.45 length	\$22.00
M444-2	S444 10.45 to 12.45 length	\$22.00
M444-3	S444 12.45 and greater length	\$22.00

All Magnaloy Pump/Motor Mounts are supplied with one Service Window Cover installed. If additional Service Window Covers are required, order by part number in table.

* Cover Part Number is molded into the inside surface of the cover.

Special Mounting Configurations			
Part * Number Suffix	Description	List Price	List Price
		Alum	Steel
M8	4 Add'l Motor Mounting Holes to Allow 45° Orientation of Mount	\$41.00	\$85.00
45°	Rotation of the 2 Bolt Pump Flange Mounting Holes to Allow +/-450 Orientation of the Pump	\$20.00	\$25.00
W	For Vertical Mounts - mounting holes are tapped per World Wide Motor Bulletin	\$26.00	\$28.00

*This is a Part Number **Suffix** to the Base Mount Part Number. Example: M182522BM8 or

1) The 450 Orientation Option is available on all Welded Steel Mounts and 056-USA4F17, SAE AA SAE A, and ISO 63 & 80 mounts AND 182-USAF17, SAE AA, SAE A and ISO 63 & 80 mounts **ONLY**.

D03 Standard Flow Bar Manifolds - Parallel



Parallel

ALUMINUM (2.00" Valve Spacing)

Part Number	Price
BM-ASP03X2-01-1/Z	\$76.00
BM-ASP03X2-02-1/Z	\$96.00
BM-ASP03X2-03-1/Z	\$126.00
BM-ASP03X2-04-1/Z	\$162.00
BM-ASP03X2-05-1/Z	\$189.00
BM-ASP03X2-06-1/Z	\$222.00
BM-ASP03X2-07-1/Z	\$249.00
BM-ASP03X2-08-1/Z	\$280.00
BM-ASP03X2-09-1/Z	\$344.00
BM-ASP03X2-10-1/Z	\$377.00

STEEL (2.00" Valve Spacing)

Part Number	Price
BM-SSP03X2-01-1/Z	\$150.00
BM-SSP03X2-02-1/Z	\$234.00
BM-SSP03X2-03-1/Z	\$321.00
BM-SSP03X2-04-1/Z	\$394.00
BM-SSP03X2-05-1/Z	\$470.00
BM-SSP03X2-06-1/Z	\$533.00
BM-SSP03X2-07-1/Z	\$602.00
BM-SSP03X2-08-1/Z	\$673.00
BM-SSP03X2-09-1/Z	\$765.00
BM-SSP03X2-10-1/Z	\$844.00

NOTE: X = Thread Type. See Model Number Breakdown in our Product Catalog, page 48 for the appropriate code.

Manifolds with more stations than listed are available, Consult Magnaloy for price and availability.

ALUMINUM (4.00" Valve Spacing)

Part Number	Price
BM-ASP03X4-02-1/Z	\$127.00
BM-ASP03X4-03-1/Z	\$167.00
BM-ASP03X4-04-1/Z	\$214.00
BM-ASP03X4-05-1/Z	\$250.00
BM-ASP03X4-06-1/Z	\$293.00
BM-ASP03X4-07-1/Z	\$330.00
BM-ASP03X4-08-1/Z	\$372.00
BM-ASP03X4-09-1/Z	\$456.00
BM-ASP03X4-10-1/Z	\$500.00

STEEL (4.00" Valve Spacing)

Part Number	Price
BM-SSP03X4-02-1/Z	\$266.00
BM-SSP03X4-03-1/Z	\$368.00
BM-SSP03X4-04-1/Z	\$448.00
BM-SSP03X4-05-1/Z	\$535.00
BM-SSP03X4-06-1/Z	\$607.00
BM-SSP03X4-07-1/Z	\$685.00
BM-SSP03X4-08-1/Z	\$766.00
BM-SSP03X4-09-1/Z	\$850.00
BM-SSP03X4-10-1/Z	\$937.00

OPTIONS

- C Relief Valve Cavity C-10-2
- B Bottom PR - TK Ports
- G Gauge Ports
- S Relief Valve Cavity Sun T-10A
- I Station Isolation
- B, T, or M Thread Option

ACCESSORIES (Ordered Separately)

- FK-A03** Flange Mounting Kit (S-12-7)
- BK-A03** "L" Bracket Kit (S-12-8)

PRICE

ALUMINUM

- \$35.00 per cavity
- \$35.00 per manifold
- \$25.00
- \$35.00 per cavity
- Quote
- \$40.00

STEEL

- \$50.00 per cavity
- \$50.00 per manifold
- \$35.00
- \$50.00 per cavity
- Quote
- \$50.00

\$35.00 each (mounting holes are standard)

No Charge when requested (mounting are standard)



D03 Standard Flow Bar Manifolds - Series

Series

ALUMINUM (2.00" Valve Spacing)

Part Number	Price
BM-ASS03X2-02-0/Z	\$111.00
BM-ASS03X2-03-0/Z	\$156.00
BM-ASS03X2-04-0/Z	\$198.00
BM-ASS03X2-05-0/Z	\$239.00

STEEL (2.00" Valve Spacing)

Part Number	Price
BM-SSS03X2-02-0/Z	\$246.00
BM-SSS03X2-03-0/Z	\$334.00
BM-SSS03X2-04-0/Z	\$391.00
BM-SSS03X2-05-0/Z	\$430.00

NOTE: X = Thread Type. See Model Number Breakdown in our Product Catalog, page 50 for the appropriate code.

Manifolds with more stations than listed are available, Consult Magnaloy for price and availability.

OPTIONS

- C Relief Valve Cavity C-10-2
- B Bottom PR - TK Ports
- G #4 SAE or 1/4 NPTF Gauge Ports
- I Station Isolation
- B, T, or M Thread Option

ACCESSORIES (Ordered Separately)

- FK-A03** Flange Mounting Kit (S-12-7)
- BK-A03** "L" Bracket Kit (S-12-8)

PRICE	ALUMINUM	STEEL
	\$35.00 per cavity	\$50.00 per cavity
	\$35.00 per manifold	\$50.00 per manifold
	\$25.00	\$35.00
	Quote	Quote
	\$40.00	\$50.00

\$35.00 each (mounting holes are standard)

No Charge when requested (mounting are standard)

D03 Standard Flow Retro Bar Manifolds



Parallel

ALUMINUM (2.13" Valve Spacing)

Part Number	Price
BMR-ASP03X2-01-1/Z	\$78.00
BMR-ASP03X2-02-1/Z	\$103.00
BMR-ASP03X2-03-1/Z	\$135.00
BMR-ASP03X2-04-1/Z	\$169.00
BMR-ASP03X2-05-1/Z	\$202.00
BMR-ASP03X2-06-1/Z	\$234.00
BMR-ASP03X2-07-1/Z	\$264.00
BMR-ASP03X2-08-1/Z	\$293.00
BMR-ASP03X2-09-1/Z	\$350.00
BMR-ASP03X2-10-1/Z	\$386.00
BMR-ASP03X2-11-1/Z	\$415.00
BMR-ASP03X2-12-1/Z	\$450.00
BMR-ASP03X2-13-1/Z	\$496.00
BMR-ASP03X2-14-1/Z	\$533.00

STEEL (2.13" Valve Spacing)

Part Number	Price
BMR-SSP03X2-01-1/Z	\$163.00
BMR-SSP03X2-02-1/Z	\$248.00
BMR-SSP03X2-03-1/Z	\$342.00
BMR-SSP03X2-04-1/Z	\$404.00
BMR-SSP03X2-05-1/Z	\$517.00
BMR-SSP03X2-06-1/Z	\$592.00
BMR-SSP03X2-07-1/Z	\$676.00
BMR-SSP03X2-08-1/Z	\$814.00
BMR-SSP03X2-09-1/Z	\$1,030.00
BMR-SSP03X2-10-1/Z	\$1,159.00
BMR-SSP03X2-11-1/Z	\$1,400.00
BMR-SSP03X2-12-1/Z	\$1,525.00
BMR-SSP03X2-13-1/Z	\$1,611.00
BMR-SSP03X2-14-1/Z	\$1,734.00

NOTE: X = Thread Type. See Model Number Breakdown in our Product Catalog, page 52 for the appropriate code.

Manifolds with more stations than listed are available. Consult Magnaloy for price and availability.

ALUMINUM (4.00" Valve Spacing)

Part Number	Price
BMR-ASP03X4-02-1/Z	\$118.00
BMR-ASP03X4-03-1/Z	\$170.00
BMR-ASP03X4-04-1/Z	\$220.00
BMR-ASP03X4-05-1/Z	\$283.00
BMR-ASP03X4-06-1/Z	\$346.00
BMR-ASP03X4-07-1/Z	\$388.00
BMR-ASP03X4-08-1/Z	\$482.00

STEEL (4.00" Valve Spacing)

Part Number	Price
BMR-SSP03X4-02-1/Z	\$307.00
BMR-SSP03X4-03-1/Z	\$481.00
BMR-SSP03X4-04-1/Z	\$572.00
BMR-SSP03X4-05-1/Z	\$751.00
BMR-SSP03X4-06-1/Z	\$894.00
BMR-SSP03X4-07-1/Z	\$1,141.00
BMR-SSP03X4-08-1/Z	\$1,298.00

OPTIONS

- C Relief Valve Cavity C-10-2
- B Bottom PR - TK Ports
- G4 #4 SAE Gauge Ports
- S Relief Valve Cavity Sun T-10A
- I Station Isolation
- B, T, or M Thread Option

PRICE

ALUMINUM

- \$35.00 per cavity
- \$35.00 per manifold
- \$25.00
- \$35.00 per cavity
- Quote
- \$40.00

STEEL

- \$50.00 per cavity
- \$50.00 per manifold
- \$35.00
- \$50.00 per cavity
- Quote
- \$50.00

Parallel

ALUMINUM (2.13" Valve Spacing)

Part Number	Price
BMR-AHP03X2-01-1/Z	\$193.00
BMR-AHP03X2-02-1/Z	\$224.00
BMR-AHP03X2-03-1/Z	\$279.00
BMR-AHP03X2-04-1/Z	\$349.00
BMR-AHP03X2-05-1/Z	\$402.00
BMR-AHP03X2-06-1/Z	\$463.00
BMR-AHP03X2-07-1/Z	\$525.00
BMR-AHP03X2-08-1/Z	\$589.00
BMR-AHP03X2-09-1/Z	\$679.00
BMR-AHP03X2-10-1/Z	\$815.00
BMR-AHP03X2-11-1/Z	\$879.00
BMR-AHP03X2-12-1/Z	\$956.00

STEEL (2.13" Valve Spacing)

Part Number	Price
BMR-SHP03X2-01-1/Z	\$343.00
BMR-SHP03X2-02-1/Z	\$508.00
BMR-SHP03X2-03-1/Z	\$644.00
BMR-SHP03X2-04-1/Z	\$765.00
BMR-SHP03X2-05-1/Z	\$933.00
BMR-SHP03X2-06-1/Z	\$1,048.00
BMR-SHP03X2-07-1/Z	\$1,243.00
BMR-SHP03X2-08-1/Z	\$1,486.00
BMR-SHP03X2-09-1/Z	\$1,834.00
BMR-SHP03X2-10-1/Z	\$2,004.00
BMR-SHP03X2-11-1/Z	\$2,221.00
BMR-SHP03X2-12-1/Z	\$2,382.00

NOTE: X = Thread Type. See Model Number Breakdown in our Product Catalog, page 54 for the appropriate code.

Manifolds with more stations than listed are available. Consult Magnaloy for price and availability.

ALUMINUM (4.00" Valve Spacing)

Part Number	Price
BMR-AHP03X4-02-1/Z	\$298.00
BMR-AHP03X4-03-1/Z	\$408.00
BMR-AHP03X4-04-1/Z	\$467.00
BMR-AHP03X4-05-1/Z	\$562.00
BMR-AHP03X4-06-1/Z	\$715.00
BMR-AHP03X4-07-1/Z	\$728.00
BMR-AHP03X4-08-1/Z	\$899.00

STEEL (4.00" Valve Spacing)

Part Number	Price
BMR-SHP03X4-02-1/Z	\$574.00
BMR-SHP03X4-03-1/Z	\$866.00
BMR-SHP03X4-04-1/Z	\$967.00
BMR-SHP03X4-05-1/Z	\$1,232.00
BMR-SHP03X4-06-1/Z	\$1,470.00
BMR-SHP03X4-07-1/Z	\$1,861.00
BMR-SHP03X4-08-1/Z	\$2,106.00

OPTIONS

- C Relief Valve Cavity C-16-2
- B Bottom PR - TK Ports
- G4 #4 SAE Gauge Ports
- S Relief Valve Cavity Sun T-3A
- I Station Isolation
- B, T, or M Thread Option

PRICE

ALUMINUM

- \$35.00 per cavity
- \$35.00 per manifold
- \$25.00
- \$35.00 per cavity
- Quote
- \$40.00

STEEL

- \$50.00 per cavity
- \$50.00 per manifold
- \$35.00
- \$50.00 per cavity
- Quote
- \$50.00

D05 Bar Manifolds - Parallel



Parallel

ALUMINUM (3.25" Valve Spacing)

Part Number	Price
BM-ASP05X3-01-1/Z	\$97.00
BM-ASP05X3-02-1/Z	\$150.00
BM-ASP05X3-03-1/Z	\$205.00
BM-ASP05X3-04-1/Z	\$261.00
BM-ASP05X3-05-1/Z	\$316.00
BM-ASP05X3-06-1/Z	\$369.00
BM-ASP05X3-07-1/Z	\$424.00
BM-ASP05X3-08-1/Z	\$536.00

STEEL (3.25" Valve Spacing)

Part Number	Price
BM-SSP05X3-01-1/Z	\$256.00
BM-SSP05X3-02-1/Z	\$361.00
BM-SSP05X3-03-1/Z	\$445.00
BM-SSP05X3-04-1/Z	\$553.00
BM-SSP05X3-05-1/Z	\$672.00
BM-SSP05X3-06-1/Z	\$827.00

NOTE: X = Thread Type. See Model Number Breakdown in our Product Catalog, page 56 for the appropriate code.

Manifolds with more stations than listed are available. Consult Magnaloy for price and availability.

ALUMINUM (5.00" Valve Spacing)

Part Number	Price
BM-ASP05X5-02-1/Z	\$173.00
BM-ASP05X5-03-1/Z	\$247.00
BM-ASP05X5-04-1/Z	\$315.00
BM-ASP05X5-05-1/Z	\$384.00
BM-ASP05X5-06-1/Z	\$451.00

STEEL (5.00" Valve Spacing)

Part Number	Price
BM-SSP05X5-02-1/Z	\$413.00
BM-SSP05X5-03-1/Z	\$558.00
BM-SSP05X5-04-1/Z	\$738.00
BM-SSP05X5-05-1/Z	\$900.00
BM-SSP05X5-06-1/Z	\$1,051.00

OPTIONS

- C Relief Valve Cavity C-10-2
- B Bottom PR - TK Ports
- G #4 SAE or 1/4" NPTF Gauge Ports
- G6 #6 SAE Gauge Ports
- S Relief Valve Cavity Sun T-3A
- I Station Isolation
- B, T, or M Thread Option

PRICE

ALUMINUM

- \$35.00 per cavity
- \$35.00 per manifold
- \$25.00
- \$25.00
- \$35.00 per cavity
- Quote
- \$40.00

STEEL

- \$50.00 per cavity
- \$50.00 per manifold
- \$35.00
- \$35.00
- \$50.00 per cavity
- Quote
- \$50.00

ACCESSORIES (Ordered Separately)

- FK-A05 Flange Mounting Kit (S-12-9)
- BK-A05 "L" Bracket Kit (S-12-10)

\$38.00 each (mounting holes are standard)

No Charge when requested (mounting are standard)

D05 Std Flow Retro Bar Manifolds - Series

SERIES - ALUMINUM (3.25" Valve Spacing)

Part Number	Price
BMR-ASS05X3-02-1/Z	\$303.00
BMR-ASS05X3-03-1/Z	\$386.00
BMR-ASS05X3-04-1/Z	\$526.00

STEEL (3.25" Valve Spacing)

Part Number	Price
BMR-SSS05X3-02-1/Z	\$787.00
BMR-SSS05X3-03-1/Z	\$937.00
BMR-SSS05X3-04-1/Z	\$1,368.00

ALUMINUM (5.00" Valve Spacing)

Part Number	Price
BMR-ASS05X5-02-1/Z	\$377.00
BMR-ASS05X5-03-1/Z	\$526.00
BMR-ASS05X5-04-1/Z	\$722.00

STEEL (5.00" Valve Spacing)

Part Number	Price
BMR-SSS05X5-02-1/Z	\$1,015.00
BMR-SSS05X5-03-1/Z	\$1,258.00
BMR-SSS05X5-04-1/Z	\$1,650.00

OPTIONS

- C Relief Valve Cavity C-10-2, "P" IN NOSE
- G4 #4 SAE or 1/4" NPTF Gauge Ports
- S Relief Valve Cavity Sun T-3A, "P" IN THE NOSE
- T, or M Thread Option (BSPT OR METRIC THREAD)
- B Thread Option (BSPP THREAD)

ACCESSORIES (Ordered Separately)

BKR-A05 "L" Bracket Kit

PRICE

ALUMINUM

- \$35.00 per cavity
- \$25.00
- \$35.00 per cavity
- \$40.00
- \$35.00

STEEL

- \$50.00 per cavity
- \$35.00
- \$50.00 per cavity
- \$40.00
- \$35.00

No Charge when requested (mounting are standard)

D05 High Flow Bar Manifolds - Parallel

Parallel

ALUMINUM (3.25" Valve Spacing)

Part Number	Price
BM-AHP05X3-01-1/Z	\$145.00
BM-AHP05X3-02-1/Z	\$213.00
BM-AHP05X3-03-1/Z	\$320.00
BM-AHP05X3-04-1/Z	\$404.00
BM-AHP05X3-05-1/Z	\$482.00
BM-AHP05X3-06-1/Z	\$568.00
BM-AHP05X3-07-1/Z	\$664.00

STEEL (3.25" Valve Spacing)

Part Number	Price
BM-SHP05X3-01-1/Z	\$345.00
BM-SHP05X3-02-1/Z	\$510.00
BM-SHP05X3-03-1/Z	\$767.00
BM-SHP05X3-04-1/Z	\$967.00
BM-SHP05X3-05-1/Z	\$1,157.00
BM-SHP05X3-06-1/Z	\$1,361.00
BM-SHP05X3-07-1/Z	\$1,592.00

NOTE: X = Thread Type. See Model Number Breakdown in our Product Catalog, page 60 for the appropriate code.

Manifolds with more stations than listed are available. Consult Magnaloy for price and availability.

ALUMINUM (5.00" Valve Spacing)

Part Number	Price
BM-AHP05X5-02-1/Z	\$255.00
BM-AHP05X5-03-1/Z	\$369.00
BM-AHP05X5-04-1/Z	\$506.00
BM-AHP05X5-05-1/Z	\$614.00
BM-AHP05X5-06-1/Z	\$754.00
BM-AHP05X5-07-1/Z	\$925.00

STEEL (5.00" Valve Spacing)

Part Number	Price
BM-SHP05X5-02-1/Z	\$610.00
BM-SHP05X5-03-1/Z	\$928.00
BM-SHP05X5-04-1/Z	\$1,210.00
BM-SHP05X5-05-1/Z	\$1,473.00
BM-SHP05X5-06-1/Z	\$1,854.00
BM-SHP05X5-07-1/Z	\$2,149.00

OPTIONS

- C Relief Valve Cavity C-10-2
- B Bottom PR - TK Ports
- L L Ports
- G #4 SAE or 1/4" NPTF Gauge Ports
- G6 #6 SAE Gauge Ports
- O Oversized A and B Ports (N/A Alt. A)
- S Relief Valve Cavity Sun T-3A
- I Station Isolation
- B, T, or M Thread Option

ACCESSORIES (Ordered Separately)

BK-A05 "L" Bracket Kit (S-12-10)

PRICE

ALUMINUM

- \$35.00 per cavity
- \$35.00 per manifold
- \$20.00 per station
- \$25.00
- \$25.00
- \$9.00 per manifold
- \$35.00 per cavity
- Quote
- \$40.00

STEEL

- \$50.00 per cavity
- \$50.00 per manifold
- \$27.00 per station
- \$35.00
- \$35.00
- \$11.00 per manifold
- \$50.00 per cavity
- Quote
- \$50.00

No Charge when requested (mounting are standard)

D05E & D05H High Flow Bar Manifolds



D05E Alt. A

ALUMINUM (3.25" Valve Spacing)

Part Number	Price
BM-AHP5EX3-01-1/Z	\$178.00
BM-AHP5EX3-02-1/Z	\$277.00
BM-AHP5EX3-03-1/Z	\$405.00
BM-AHP5EX3-04-1/Z	\$510.00
BM-AHP5EX3-05-1/Z	\$610.00
BM-AHP5EX3-06-1/Z	\$717.00
BM-AHP5EX3-07-1/Z	\$834.00

STEEL (3.25" Valve Spacing)

Part Number	Price
BM-SHP5EX3-01-1/Z	\$386.00
BM-SHP5EX3-02-1/Z	\$601.00
BM-SHP5EX3-03-1/Z	\$910.00
BM-SHP5EX3-04-1/Z	\$1,147.00
BM-SHP5EX3-05-1/Z	\$1,372.00
BM-SHP5EX3-06-1/Z	\$1,614.00
BM-SHP5EX3-07-1/Z	\$1,882.00

NOTE: X = Thread Type. See Model Number Breakdown in our Product Catalog, page 62 or 64 for the appropriate code.

Manifolds with more stations than listed are available. Consult Magnaloy for price and availability.

ALUMINUM (5.00" Valve Spacing)

Part Number	Price
BM-AHP5EX5-02-1/Z	\$318.00
BM-AHP5EX5-03-1/Z	\$455.00
BM-AHP5EX5-04-1/Z	\$612.00
BM-AHP5EX5-05-1/Z	\$742.00
BM-AHP5EX5-06-1/Z	\$903.00
BM-AHP5EX5-07-1/Z	\$1,096.00

STEEL (5.00" Valve Spacing)

Part Number	Price
BM-SHP5EX5-02-1/Z	\$720.00
BM-SHP5EX5-03-1/Z	\$1,077.00
BM-SHP5EX5-04-1/Z	\$1,398.00
BM-SHP5EX5-05-1/Z	\$1,696.00
BM-SHP5EX5-06-1/Z	\$2,071.00
BM-SHP5EX5-07-1/Z	\$2,452.00

D05H Alt. B

ALUMINUM (3.25" Valve Spacing)

Part Number	Price
BM-AHP5HX3-01-1/Z	\$178.00
BM-AHP5HX3-02-1/Z	\$277.00
BM-AHP5HX3-03-1/Z	\$405.00
BM-AHP5HX3-04-1/Z	\$510.00
BM-AHP5HX3-05-1/Z	\$610.00
BM-AHP5HX3-06-1/Z	\$717.00
BM-AHP5HX3-07-1/Z	\$834.00

STEEL (3.25" Valve Spacing)

Part Number	Price
BM-SHP5HX3-01-1/Z	\$386.00
BM-SHP5HX3-02-1/Z	\$601.00
BM-SHP5HX3-03-1/Z	\$910.00
BM-SHP5HX3-04-1/Z	\$1,147.00
BM-SHP5HX3-05-1/Z	\$1,372.00
BM-SHP5HX3-06-1/Z	\$1,614.00
BM-SHP5HX3-07-1/Z	\$1,881.00

ALUMINUM (5.00" Valve Spacing)

Part Number	Price
BM-AHP5HX5-02-1/Z	\$318.00
BM-AHP5HX5-03-1/Z	\$455.00
BM-AHP5HX5-04-1/Z	\$611.00
BM-AHP5HX5-05-1/Z	\$742.00
BM-AHP5HX5-06-1/Z	\$903.00
BM-AHP5HX5-07-1/Z	\$1,095.00

STEEL (5.00" Valve Spacing)

Part Number	Price
BM-SHP5HX5-02-1/Z	\$702.00
BM-SHP5HX5-03-1/Z	\$1,077.00
BM-SHP5HX5-04-1/Z	\$1,398.00
BM-SHP5HX5-05-1/Z	\$1,696.00
BM-SHP5HX5-06-1/Z	\$2,071.00
BM-SHP5HX5-07-1/Z	\$2,452.00



D05E & D05H High Flow Bar Manifolds...

OPTIONS

- C Relief Valve Cavity C-10-2
- B Bottom PR - TK Ports
- G #4 SAE or 1/4" NPTF Gauge Ports
- G6 #6 SAE Gauge Ports
- O Oversized A and B Ports (N/A Alt. A)
- S Relief Valve Cavity Sun T-3A
- I Station Isolation
- B, T, or M Thread Option

ACCESSORIES (Ordered Separately)

BK-A05 "L" Bracket Kit (S-12-10)

PRICE

ALUMINUM

- \$35.00 per cavity
- \$35.00 per manifold
- \$25.00
- \$25.00
- \$9.00 per manifold
- \$35.00 per cavity
- Quote
- \$40.00

STEEL

- \$50.00 per cavity
- \$50.00 per manifold
- \$35.00
- \$35.00
- \$11.00 per manifold
- \$50.00 per cavity
- Quote
- \$50.00

No Charge when requested (mounting are standard)

D08 Bar Manifolds - Parallel

Parallel

ALUMINUM (5.25" Valve Spacing)

Part Number	Price
BM-ASP08X5-01-0/Z	\$295.00
BM-ASP08X5-02-0/Z	\$523.00
BM-ASP08X5-03-0/Z	\$700.00
BM-ASP08X5-04-0/Z	\$893.00
BM-ASP08X5-05-0/Z	\$1,088.00
BM-ASP08X5-06-0/Z	\$1,282.00

STEEL (5.25" Valve Spacing)

Part Number	Price
BM-SSP08X5-01-0/Z	\$741.00
BM-SSP08X5-02-0/Z	\$1,242.00
BM-SSP08X5-03-0/Z	\$1,744.00
BM-SSP08X5-04-0/Z	\$2,168.00
BM-SSP08X5-05-0/Z	\$2,732.00
BM-SSP08X5-06-0/Z	\$3,098.00

NOTE: X = Thread Type. See Model Number Breakdown in our Product Catalog, page 66 for the appropriate code.

ALUMINUM (7.00" Valve Spacing)

Part Number	Price
BM-ASP08X7-02-0/Z	\$558.00
BM-ASP08X7-03-0/Z	\$768.00
BM-ASP08X7-04-0/Z	\$996.00

STEEL (7.00" Valve Spacing)

Part Number	Price
BM-SSP08X7-02-0/Z	\$1,432.00
BM-SSP08X7-03-0/Z	\$1,955.00
BM-SSP08X7-04-0/Z	\$2,468.00

Manifolds with more stations than listed are available. Consult Magnaloy for price and availability.

OPTIONS

- C Relief Valve Cavity C-10-2
- B Bottom PR - TK Ports
- G #4 SAE or 1/4" NPTF Gauge Ports
- G6 #6 SAE Gauge Ports
- P Pilot Pressure
- S Relief Valve Cavity Sun T-3A
- I Station Isolation
- B, T, or M Thread Option

ACCESSORIES (Ordered Separately)

BK-A08 "L" Bracket Kit (S-12-10)

PRICE

ALUMINUM

- \$35.00 per cavity
- \$35.00 per manifold
- \$25.00
- \$25.00
- \$33.00 per manifold
- \$35.00 per cavity
- Quote
- \$40.00

STEEL

- \$50.00 per cavity
- \$50.00 per manifold
- \$35.00
- \$35.00
- \$38.00 per manifold
- \$50.00 per cavity
- Quote
- \$50.00

No Charge when requested (mounting are standard)

D08 High Flow Retro Bar Manifolds



Parallel

ALUMINUM (5.25" Valve Spacing)

Part Number	Price
BMR-AHP08X5-01-1/Z	\$498.00
BMR-AHP08X5-02-1/Z	\$772.00
BMR-AHP08X5-03-1/Z	\$1,064.00
BMR-AHP08X5-04-1/Z	\$1,455.00
BMR-AHP08X5-05-1/Z	\$1,777.00
BMR-AHP08X5-06-1/Z	\$2,102.00

STEEL (5.25" Valve Spacing)

Part Number	Price
BMR-SHP08X5-01-1/Z	\$835.00
BMR-SHP08X5-02-1/Z	\$1,407.00
BMR-SHP08X5-03-1/Z	\$1,976.00
BMR-SHP08X5-04-1/Z	\$2,542.00
BMR-SHP08X5-05-1/Z	\$3,072.00
BMR-SHP08X5-06-1/Z	\$3,548.00

NOTE: X = Thread Type. See Model Number Breakdown in our Product Catalog, page 68 for the appropriate code.

Manifolds with more stations than listed are available. Consult Magnaloy for price and availability.

ALUMINUM (7.00" Valve Spacing)

Part Number	Price
BMR-AHP08X7-02-1/Z	\$892.00
BMR-AHP08X7-03-1/Z	\$1,275.00
BMR-AHP08X7-04-1/Z	\$1,764.00
BMR-AHP08X7-05-1/Z	\$2,128.00

STEEL (7.00" Valve Spacing)

Part Number	Price
BMR-SHP08X7-02-1/Z	\$1,634.00
BMR-SHP08X7-03-1/Z	\$2,469.00
BMR-SHP08X7-04-1/Z	\$3,194.00
BMR-SHP08X7-05-1/Z	\$3,937.00

OPTIONS

- C Relief Valve Cavity C-16-2
- B Bottom PR - TK Ports
- G4 #4 SAE or 1/4" NPTF Gauge Ports
- P Pilot Pressure (Individual per station)
- S Relief Valve Cavity Sun T-16A
- I Station Isolation
- B, T, or M Thread Option

PRICE

ALUMINUM

- \$35.00 per cavity
- \$35.00 per manifold
- \$25.00
- \$40.00 per station
- \$35.00 per cavity
- Quote**
- \$40.00

STEEL

- \$50.00 per cavity
- \$50.00 per manifold
- \$35.00
- \$60.00 per station
- \$50.00 per cavity
- Quote**
- \$50.00

D08 Retro Bar Manifolds - Series

Series

ALUMINUM (5.25" Valve Spacing)

Part Number	Price
BMR-ASS08X5-02-1/Z	\$969.00
BMR-ASS08X5-03-1/Z	\$1,615.00

STEEL (5.25" Valve Spacing)

Part Number	Price
BMR-SSS08X5-02-1/Z	\$2,334.00
BMR-SSS08X5-03-1/Z	\$3,520.00

NOTE: X = Thread Type. See Model Number Breakdown in our Product Catalog, page 70 for the appropriate code.

OPTIONS

- G4 #4 SAE or 1/4" NPTF Gauge Ports
- B, T, or M Thread Option

ACCESSORIES (Ordered Separately)

BKR-A08 "L" Bracket Kit

PRICE

ALUMINUM

- \$25.00
- \$50.00

STEEL

- \$35.00
- \$50.00

No Charge when requested (mntg holes are standard)



D08 Retro Bar Manifolds - Series...

Series

ALUMINUM (7.00" Valve Spacing)

Part Number	Price
BMR-ASS08X7-02-1/Z	\$1,202.00
BMR-ASS08X7-03-1/Z	\$1,761.00

STEEL (7.00" Valve Spacing)

Part Number	Price
BMR-SSS08X7-02-1/Z	\$2,776.00
BMR-SSS08X7-03-1/Z	\$4,064.00

OPTIONS

-G4 #4 SAE or 1/4" NPTF Gauge Ports

-B, T, or M Thread Option

ACCESSORIES (Ordered Separately)

BKR-A08 "L" Bracket Kit

PRICE

ALUMINUM

STEEL

\$25.00

\$35.00

\$40.00

\$50.00

No Charge when requested (mntg holes are standard)

NOTE: X = Thread Type. See Model Number Breakdown in our Product Catalog, page 70 for the appropriate code.

Manifolds with more stations than listed are available. Consult Magnaloy for price and availability.

Series

D05 TANK LINE FEED CONTROL MANIFOLD

Part Number	Price
IC-A05S11-0	\$299.00
IC-S05S11-0	\$672.00
IC-A05P11-0	\$299.00
IC-S05P11-0	\$672.00

D05 SOLENOID ACTIVATED REGENERATION MODULE

Part Number	Price
IC-A05S31-0	\$299.00
IC-S05S31-0	\$804.00
IC-A05P31-0	\$299.00
IC-S05P31-0	\$804.00

D05 FEED CONTROL - CYLINDER PORT METER OUT

Part Number	Price
IC-A05S41-0	\$299.00
IC-S05S41-0	\$804.00
IC-A05P41-0	\$299.00
IC-S05P41-0	\$804.00

D05 FEED CONTROL - CYLINDER PORT METER IN

Part Number	Price
IC-A05S42-0	\$337.00
IC-S05S42-0	\$906.00
IC-A05P42-0	\$337.00
IC-S05P42-0	\$906.00

D08 HI-LO PRESSURE OPERATED UNLOADING MANIFOLD

Part Number	Price
IC-A08S21-0	\$1,435.00
IC-S08S21-0	\$2,840.00
IC-A08P21-0	\$1,435.00
IC-S08P21-0	\$2,840.00

MOUNTING BRACKET KIT FOR D08 IC UNLOADING MANIFOLD

Part Number	Price
BK-IC08	\$62.00

OPTIONS

-B, T, or M Thread Option

PRICE	ALUMINUM	STEEL
	\$40.00	\$50.00

D03 Subplates - SUPER SAVER SUBPLATE

All 4 Sides Ported

Part Number	Price
SP-A03X4-1/PZ	\$44.00
SP-A03X6-1/PZ	\$44.00
SP-S03X4-1/PZ	\$69.00
SP-S03X6-1/PZ	\$69.00

All 4 Ports on Bottom

Part Number	Price
SP-A03X4-1/DZ	\$39.00
SP-A03X6-1/DZ	\$39.00
SP-S03X4-1/DZ	\$62.00
SP-S03X6-1/DZ	\$62.00

NOTE: X = Thread Type. See Model Number Breakdown in our Product Catalog, page 77 for the appropriate code.

D03 Subplates - Standard Side Ported Subplates

A & B Ports on opposite side of P & T Ports

Part Number	Price
SP-A03X6-1/Z	\$66.00
SP-A03X8-1/Z	\$66.00
SP-S03X6-1/Z	\$90.00
SP-S03X8-1/Z	\$90.00

A & B Ports on opposite sides, P & T Ports w/ Common C-10-2 Relief Cavity

Part Number	Price
SP-A03X6-1/C	\$87.00
SP-A03X8-1/C	\$87.00
SP-S03X6-1/C	\$121.00
SP-S03X8-1/C	\$121.00

NOTE: X = Thread Type. See Model Number Breakdown in our Product Catalog, page 81 for the appropriate code.

A & B Ports on one side, P & T Ports on opposite side & bottom

Part Number	Price
SP-A03X6-1/BZ	\$72.00
SP-A03X8-1/BZ	\$72.00
SP-S03X6-1/BZ	\$100.00
SP-S03X8-1/BZ	\$100.00

A & B Ports on one side, P & T Ports on opposite side & bottom with C-10-2 relief cavity

Part Number	Price
SP-A03X6-1/BC	\$93.00
SP-A03X8-1/BC	\$93.00
SP-S03X6-1/BC	\$134.00
SP-S03X8-1/BC	\$134.00

A & B Ports on one side, P & T Ports on opposite side with Sun T-10A relief cavity

Part Number	Price
SP-A03X6-1/S	\$87.00
SP-A03X8-1/S	\$87.00
SP-S03X6-1/S	\$121.00
SP-S03X8-1/S	\$121.00

A & B Ports on one side, P & T Ports on opposite side & bottom with Sun T-10A relief cavity

Part Number	Price
SP-A03X6-1/BS	\$93.00
SP-A03X8-1/BS	\$93.00
SP-S03X6-1/BS	\$134.00
SP-S03X8-1/BS	\$134.00

OPTIONS

-G #4 SAE or 1/4" NPTF Gauge Ports

-B, T, or M Thread Option

PRICE	ALUMINUM	STEEL
	\$25.00	\$35.00
	\$40.00	\$50.00

D05 Subplates - SUPER SAVER SUBPLATE

All 4 Sides Ported

Part Number	Price
SP-A05X6-1/PZ	\$66.00
SP-A05X8-1/PZ	\$66.00
SP-S05X6-1/PZ	\$110.00
SP-S05X8-1/PZ	\$107.00

All 4 Ports on Bottom

Part Number	Price
SP-A05X6-1/DZ	\$62.00
SP-A05X8-1/DZ	\$62.00
SP-S05X6-1/DZ	\$93.00
SP-S05X8-1/DZ	\$91.00

NOTE: X = Thread Type. See Model Number Breakdown in our Product Catalog, page 79 for the appropriate code.

D05 Subplates (Continued) - Standard Side Ported

A & B Ports on opposite side of P & T Ports

Part Number	Price
SP-A05X6-1/Z	\$76.00
SP-A05X8-1/Z	\$76.00
SP-S05X6-1/Z	\$105.00
SP-S05X8-1/Z	\$102.00

A & B Ports on one side, P & T Ports on opposite side & bottom

Part Number	Price
SP-A05X6-1/BZ	\$84.00
SP-A05X8-1/BZ	\$84.00
SP-S05X6-1/BZ	\$122.00
SP-S05X8-1/BZ	\$119.00

A & B Ports on one side, P & T Ports on opposite side with Sun T-10A relief cavity

Part Number	Price
SP-A05X6-1/S	\$101.00
SP-A05X8-1/S	\$101.00
SP-S05X6-1/S	\$145.00
SP-S05X8-1/S	\$141.00

A & B Ports on opposite sides, P & T Ports w/Common C-10-2 Relief Cavity

Part Number	Price
SP-A05X6-1/C	\$101.00
SP-A05X8-1/C	\$101.00
SP-S05X6-1/C	\$145.00
SP-S05X8-1/C	\$141.00

A & B Ports on one side, P & T Ports on opposite side & bottom with C-10-2 relief cavity

Part Number	Price
SP-A05X6-1/BC	\$108.00
SP-A05X8-1/BC	\$108.00
SP-S05X6-1/BC	\$162.00
SP-S05X8-1/BC	\$157.00

A & B Ports on one side, P & T Ports on opposite side & bottom with Sun T-10A relief cavity

Part Number	Price
SP-A05X6-1/BS	\$108.00
SP-A05X8-1/BS	\$108.00
SP-S05X6-1/BS	\$162.00
SP-S05X8-1/BS	\$157.00

NOTE: X = Thread Type. See Model Number Breakdown in our Product Catalog, page 82 for the appropriate code.

OPTIONS

- G #4 SAE or 1/4" NPTF Gauge Ports
- B, T, or M Thread Option

PRICE	ALUMINUM	STEEL
	\$25.00	\$35.00
	\$40.00	\$50.00

D05 Subplates - High Flow Ported Subplates

A & B Ports on opposite side of P & T Ports

Part Number	Price
SP-AH05X12-1/Z	\$77.00
SP-SH05X12-1/Z	\$136.00

A & B Ports on one side, P & T Ports on opposite side & bottom

Part Number	Price
SP-AH05X12-1/BZ	\$87.00
SP-SH05X12-1/BZ	\$153.00

A & B Ports on one side, P & T Ports on opposite side with Sun T-10A relief cavity

Part Number	Price
SP-AH05X12-1/S	\$102.00
SP-SH05X12-1/S	\$180.00

A & B Ports on opposite sides, P & T Ports w/Common C-10-2 Relief Cavity

Part Number	Price
SP-AH05X12-1/C	\$102.00
SP-SH05X12-1/C	\$175.00

A & B Ports on one side, P & T Ports on opposite side & bottom with C-10-2 relief cavity

Part Number	Price
SP-AH05X12-1/BC	\$112.00
SP-SH05X12-1/BC	\$188.00

A & B Ports on one side, P & T Ports on opposite side & bottom with Sun T-10A relief cavity

Part Number	Price
SP-AH05X12-1/BS	\$112.00
SP-SH05X12-1/BS	\$193.00

NOTE: X = Thread Type. See Model Number Breakdown in our Product Catalog, page 83 for the appropriate code.

OPTIONS

- G4 #4 SAE or 1/4" NPTF Gauge Ports
- G6 #6 SAE Gauge Ports
- B, T, or M Thread Option

PRICE	ALUMINUM	STEEL
	\$25.00	\$35.00
	\$25.00	\$35.00
	\$40.00	\$50.00

D08 Subplates - Standard Side Ported

A & B Ports on opposite side of P & T Ports

Part Number	Price
SP-A08X12-1/Z	\$135.00
SP-A08X16-1/Z	\$135.00
SP-S08X12-1/Z	\$189.00
SP-S08X16-1/Z	\$189.00

A & B Ports on opposite sides, P & T Ports w/Common C-10-2 Relief Cavity

Part Number	Price
SP-A08X12-1/C	\$172.00
SP-A08X16-1/C	\$172.00
SP-S08X12-1/C	\$254.00
SP-S08X16-1/C	\$248.00

NOTE: X = Thread Type. See Model Number Breakdown in our Product Catalog, page 84 for the appropriate code.

A & B Ports on one side, P & T Ports on opposite side & bottom

Part Number	Price
SP-A08X12-1/BZ	\$175.00
SP-A08X16-1/BZ	\$175.00
SP-S08X12-1/BZ	\$210.00
SP-S08X16-1/BZ	\$204.00

A & B Ports on one side, P & T Ports on opposite side & bottom with C-10-2 relief cavity

Part Number	Price
SP-A08X12-1/BC	\$199.00
SP-A08X16-1/BC	\$199.00
SP-S08X12-1/BC	\$270.00
SP-S08X16-1/BC	\$263.00

A & B Ports on one side, P & T Ports on opposite side with Sun T-10A relief cavity

Part Number	Price
SP-A08X12-1/S	\$172.00
SP-A08X16-1/S	\$172.00
SP-S08X12-1/S	\$254.00
SP-S08X16-1/S	\$248.00

A & B Ports on one side, P & T Ports on opposite side & bottom with Sun T-10A relief cavity

Part Number	Price
SP-A08X12-1/BS	\$199.00
SP-A08X16-1/BS	\$199.00
SP-S08X12-1/BS	\$270.00
SP-S08X16-1/BS	\$270.00

OPTIONS

- G #4 SAE or 1/4" NPTF Gauge Ports
- G6 #6 SAE or Gauge Ports
- B, T, or M Thread Option

PRICE

ALUMINUM

STEEL

\$25.00

\$35.00

\$25.00

\$35.00

\$40.00

\$50.00

Cover Plates

D03 Cover Plates

Part Number	Price
CP-ASP03E-1/Z	\$23.00
CP-ASP03M-1/Z	\$23.00
CP-SSP03E-1/Z	\$31.00
CP-SSP03M-1/Z	\$88.00
CP-ASP03E-1/G	\$24.00
CP-ASP03M-1/G	\$67.00
CP-SSP03E-1/G	\$36.00
CP-SSP03M-1/G	\$93.00
CP-ASS03E-1/Z	\$27.00
CP-ASS03M-1/Z	\$26.00
CP-SSS03E-1/Z	\$39.00
CP-SSS03M-1/Z	\$39.00

D05 Cover Plates

Part Number	Price
CP-ASP05E-1/Z	\$25.00
CP-ASP05M-1/Z	\$25.00
CP-SSP05E-1/Z	\$33.00
CP-SSP05M-1/Z	\$91.00
CP-ASP05E-1/G	\$28.00
CP-ASP05M-1/G	\$72.00
CP-SSP05E-1/G	\$39.00
CP-SSP05M-1/G	\$39.00
CP-ASS05E-1/Z	\$35.00
CP-ASS05M-1/Z	\$34.00
CP-SSS05E-1/Z	\$48.00
CP-SSS05M-1/Z	\$48.00

D08 Cover Plates

Part Number	Price
CP-ASP08E-1/Z	\$74.00
CP-ASP08M-1/Z	\$118.00
CP-SSP08E-1/Z	\$110.00
CP-SSP08M-1/Z	\$110.00
CP-ASP08E-1/G	\$89.00
CP-ASP08M-1/G	\$133.00
CP-SSP08E-1/G	\$127.00
CP-SSP08M-1/G	\$127.00
CP-ASS08E-1/Z	\$139.00
CP-ASS08M-1/Z	\$134.00
CP-SSS08E-1/Z	\$195.00
CP-SSS08M-1/Z	\$195.00

Valve Adaptors / Isolation Plugs



D08 Subplates - Standard Side Ported

FLOW CONTROL VALVE PATTERN ADAPTOR

Part Number	Price
VA-A03/05-EBA-0	\$79.00
VA-S03/05-EBA-0	\$152.00
VA-A05/08-EAA-0	\$180.00
VA-S05/08-EAA-0	\$295.00

DIRECTIONAL VALVE PATTERN ADAPTOR

Part Number	Price
VA-AF6/F7-EAA-0	\$123.00
VA-SF6/F7-EAA-0	\$237.00

DIRECTIONAL VALVE PATTERN ADAPTOR

Part Number	Price
VA-AP8/P0-EAA-0	\$137.00
VA-SP8/P0-EAA-0	\$230.00

OPTIONS

-M Thread Option

PRICE

ALUMINUM

\$40.00

STEEL

\$50.00

Isolation Plugs

ISOLATION PLUGS (DISCONTINUED - CALL FOR QUOTE & AVAILABILITY)

ALUMINUM MANIFOLDS

Part Number	Usage	Passage	Price
IP-AP03-0	Old Style D03	"P" & "T"	Consult Factory
IP-AP03-1	D03 High Flow	"P" & "T"	Consult Factory
IP-AP03-1	D03 Std. Flow Retro Design	"P" & "T"	Consult Factory
IP-AP05-1	D03 High Flow Retro Design	"P"	Consult Factory
IP-SP08-1	D03 High Flow Retro Design	"T"	Consult Factory
IP-AP05-0	D05 Std. Flow	"P"	Consult Factory
IP-AT05-0	D05 Std. Flow	"T"	Consult Factory
IP-AP08-0	D05 High Flow & D08 Std. Flow	"P"	Consult Factory
IP-AT05-1	D05 High Flow	"T"	Consult Factory
IP-AT08-0	D08 Std. Flow	"T"	Consult Factory
IP-ST08-0	D08 High Flow Retro Design	"P"	Consult Factory
N/A	D08 High Flow Retro Design	"T"	--

STEEL MANIFOLDS

Part Number	Usage	Passage	Price
IP-SP03-0	Old Style D03	"P" & "T"	Consult Factory
IP-SP03-1	D03 High Flow & Std. Flow Retro Design	"P" & "T"	Consult Factory
IP-SP05-0	D03 High Flow Retro Design & D05 Std. Flow	"P"	Consult Factory
IP-SP08-0	D03 High Flow Retro Design	"T"	Consult Factory
IP-ST05-0	D05 Std. Flow	"T"	Consult Factory
IP-SP08-0	D05 High Flow & D08 Std. Flow	"P"	Consult Factory
IP-ST05-1	D05 High Flow	"T"	Consult Factory
IP-ST08-0	D08 Std. Flow	"T"	Consult Factory
IP-ST08-0	D08 High Flow Retro Design	"P"	Consult Factory
N/A	D08 High Flow Retro Design	"T"	--

Manifold Accessories

PILOT ADAPTOR MODULE DRAIN OR AIR PILOT SUPPLY (For Vickers DG 18 Air Piloted Directional)

Part Number	Price
MA-A05ZZ-PA-ZZ-0	\$75.00
MA-S05ZZ-PA-ZZ-0	\$148.00

UNLOADING (VENTING) MODULES

Part Number	Price
MA-A05ZZ-UM-ZZ-0	\$62.00
MA-S05ZZ-UM-ZZ-0	\$120.00

ORIFICE PLATE

Part Number	Price
MA-A05ZZ-OP-ZZ-0	\$52.00
MA-S05ZZ-OP-ZZ-0	\$66.00

D03 TAPPING PLATE

Part Number	Price
MA-A03ZZ-TP-ZZ-1	\$26.00
MA-S03ZZ-TP-ZZ-1	\$34.00
MA-A034X-TP-PP-1	\$44.00
MA-S034X-TP-PP-1	\$68.00
MA-A034X-TP-PT-1	\$35.00
MA-S034X-TP-PT-1	\$51.00
MA-A034X-TP-AB-1	\$35.00
MA-S034X-TP-AB-1	\$51.00

D05 TAPPING PLATE

Part Number	Price
MA-A05ZZ-TP-ZZ-1	\$38.00
MA-S05ZZ-TP-ZZ-1	\$56.00
MA-A054X-TP-PP-1	\$55.00
MA-S054X-TP-PP-1	\$91.00
MA-A054X-TP-PT-1	\$47.00
MA-S054X-TP-PT-1	\$74.00
MA-A054X-TP-AB-1	\$47.00
MA-S054X-TP-AB-1	\$74.00

D08 TAPPING PLATE

Part Number	Price
MA-A08ZZ-TP-ZZ-1	\$94.00
MA-S08ZZ-TP-ZZ-1	\$145.00
MA-A084X-TP-PP-1	\$119.00
MA-S084X-TP-PP-1	\$194.00
MA-A084X-TP-PT-1	\$119.00
MA-S084X-TP-PT-1	\$194.00
MA-A084X-TP-AB-1	\$119.00
MA-S084X-TP-AB-1	\$179.00
MA-A084X-TP-PS-1	\$119.00
MA-S084X-TP-PS-1	\$179.00

OPTIONS

-B, T, or M Thread Option

PRICE

ALUMINUM

\$40.00

STEEL

\$50.00

Relief Valve Cartridges

D03 HIGH FLOW MANIFOLDS & ALL SUBPLATES

Part Number	PSI Range	Price
RV-C10-2-15	50 - 1500	\$76.00
RV-C10-2-30	1500 - 3000	\$87.00

Part Number	PSI Range	Price
--	--	--
RV-T10A-15	50 - 1500	\$99.00
RV-T10A-30	100 - 3000	\$99.00

D05, D05 HIGH FLOW & D08 MANIFOLDS

Part Number	PSI Range	Price
RV-C10-2-15	50 - 1500	\$76.00
RV-C10-2-30	1500 - 3000	\$87.00

Part Number	PSI Range	Price
RV-T3A-08	25 - 800	\$105.00
RV-T3A-15	50 - 1500	\$105.00
RV-T3A-30	100 - 3000	\$105.00

OLD STYLE D03 & D03 SERIES MANIFOLDS

Part Number	PSI Range	Price
RV-C10-2R-02	50 - 200	\$76.00
RV-C10-2R-15	50 - 1500	\$109.00
RV-C10-2R-30	1500 - 3000	\$90.00

Header Bar Manifolds* with NPT & SAE Ports - 0 Degree



1/8" NPT End Ports w/ 1/16" NPT Side Ports

Aluminum / 0 Degree		Steel / 0 Degree	
HA-0002P/01P-02-1/Z	\$44.00	HS-0002P/01P-02-1/Z	\$121.00
HA-0002P/01P-03-1/Z	\$51.00	HS-0002P/01P-03-1/Z	\$153.00
HA-0002P/01P-04-1/Z	\$57.00	HS-0002P/01P-04-1/Z	\$168.00
HA-0002P/01P-05-1/Z	\$73.00	HS-0002P/01P-05-1/Z	\$174.00
HA-0002P/01P-06-1/Z	\$81.00	HS-0002P/01P-06-1/Z	\$180.00
HA-0002P/01P-07-1/Z	\$96.00	HS-0002P/01P-07-1/Z	\$205.00
HA-0002P/01P-08-1/Z	\$106.00	HS-0002P/01P-08-1/Z	\$218.00
HA-0002P/01P-09-1/Z	\$124.00	HS-0002P/01P-09-1/Z	\$254.00
HA-0002P/01P-10-1/Z	\$136.00	HS-0002P/01P-10-1/Z	\$276.00

1/4" NPT End Ports w/ 1/8" NPT Side Ports

Aluminum / 0 Degree		Steel / 0 Degree	
HA-0004P/02P-02-1/Z	\$45.00	HS-0004P/02P-02-1/Z	\$129.00
HA-0004P/02P-03-1/Z	\$46.00	HS-0004P/02P-03-1/Z	\$168.00
HA-0004P/02P-04-1/Z	\$58.00	HS-0004P/02P-04-1/Z	\$196.00
HA-0004P/02P-05-1/Z	\$86.00	HS-0004P/02P-05-1/Z	\$236.00
HA-0004P/02P-06-1/Z	\$78.00	HS-0004P/02P-06-1/Z	\$300.00
HA-0004P/02P-07-1/Z	\$96.00	HS-0004P/02P-07-1/Z	\$309.00
HA-0004P/02P-08-1/Z	\$106.00	HS-0004P/02P-08-1/Z	\$321.00
HA-0004P/02P-09-1/Z	\$121.00	HS-0004P/02P-09-1/Z	\$398.00
HA-0004P/02P-10-1/Z	\$148.00	HS-0004P/02P-10-1/Z	\$470.00

3/8" NPT (#6 SAE) End Ports w/ 1/8" NPT Side Ports

Aluminum / 0 Degree		Steel / 0 Degree	
HA-0006x/02P-02-1/Z	\$47	HS-0006x/02x-02-1/Z	\$150
HA-0006x/02P-03-1/Z	\$64	HS-0006x/02x-03-1/Z	\$209
HA-0006x/02P-04-1/Z	\$74	HS-0006x/02x-04-1/Z	\$272
HA-0006x/02P-05-1/Z	\$90	HS-0006x/02x-05-1/Z	\$344
HA-0006x/02P-06-1/Z	\$92	HS-0006x/02x-06-1/Z	\$436
HA-0006x/02P-07-1/Z	\$105	HS-0006x/02x-07-1/Z	\$471
HA-0006x/02P-08-1/Z	\$130	HS-0006x/02x-08-1/Z	\$517
HA-0006x/02P-09-1/Z	\$154	HS-0006x/02x-09-1/Z	\$590
HA-0006x/02P-10-1/Z	\$169	HS-0006x/02x-10-1/Z	\$658

1/8" NPT End Ports w/ 1/8" NPT Side Ports

Aluminum / 0 Degree		Steel / 0 Degree	
HA-0002P/02P-02-1/Z	\$48	HS-0002P/02P-02-1/Z	\$133
HA-0002P/02P-03-1/Z	\$56	HS-0002P/02P-03-1/Z	\$168
HA-0002P/02P-04-1/Z	\$63	HS-0002P/02P-04-1/Z	\$185
HA-0002P/02P-05-1/Z	\$80	HS-0002P/02P-05-1/Z	\$191
HA-0002P/02P-06-1/Z	\$89	HS-0002P/02P-06-1/Z	\$198
HA-0002P/02P-07-1/Z	\$106	HS-0002P/02P-07-1/Z	\$226
HA-0002P/02P-08-1/Z	\$117	HS-0002P/02P-08-1/Z	\$240
HA-0002P/02P-09-1/Z	\$136	HS-0002P/02P-09-1/Z	\$279
HA-0002P/02P-10-1/Z	\$150	HS-0002P/02P-10-1/Z	\$304

1/4" NPT (#4 SAE) End Ports w/ 1/4" NPT (#4 SAE) Side Ports

Aluminum / 0 Degree		Steel / 0 Degree	
HA-0004x/04x-02-1/Z	\$50	HS-0004x/04x-02-1/Z	\$142
HA-0004x/04x-03-1/Z	\$51	HS-0004x/04x-03-1/Z	\$185
HA-0004x/04x-04-1/Z	\$64	HS-0004x/04x-04-1/Z	\$216
HA-0004x/04x-05-1/Z	\$95	HS-0004x/04x-05-1/Z	\$260
HA-0004x/04x-06-1/Z	\$86	HS-0004x/04x-06-1/Z	\$330
HA-0004x/04x-07-1/Z	\$106	HS-0004x/04x-07-1/Z	\$340
HA-0004x/04x-08-1/Z	\$117	HS-0004x/04x-08-1/Z	\$353
HA-0004x/04x-09-1/Z	\$133	HS-0004x/04x-09-1/Z	\$438
HA-0004x/04x-10-1/Z	\$163	HS-0004x/04x-10-1/Z	\$517

3/8" NPT (#6 SAE) End Ports w/ 1/4" NPT (#4 SAE) Side Ports

Aluminum / 0 Degree		Steel / 0 Degree	
HA-0006x/04x-02-1/Z	\$43.00	HS-0006x/04x-02-1/Z	\$136.00
HA-0006x/04x-03-1/Z	\$58.00	HS-0006x/04x-03-1/Z	\$190.00
HA-0006x/04x-04-1/Z	\$67.00	HS-0006x/04x-04-1/Z	\$247.00
HA-0006x/04x-05-1/Z	\$82.00	HS-0006x/04x-05-1/Z	\$313.00
HA-0006x/04x-06-1/Z	\$84.00	HS-0006x/04x-06-1/Z	\$396.00
HA-0006x/04x-07-1/Z	\$95.00	HS-0006x/04x-07-1/Z	\$428.00
HA-0006x/04x-08-1/Z	\$118.00	HS-0006x/04x-08-1/Z	\$470.00
HA-0006x/04x-09-1/Z	\$140.00	HS-0006x/04x-09-1/Z	\$536.00
HA-0006x/04x-10-1/Z	\$154.00	HS-0006x/04x-10-1/Z	\$598.00

3/8" NPT (#6 SAE) End Ports w/ 3/8" NPT (#6 SAE) Side Ports

Aluminum / 0 Degree		Steel / 0 Degree	
HA-0006x/06x-02-1/Z	\$57	HS-0006x/06x-02-1/Z	\$167
HA-0006x/06x-03-1/Z	\$79	HS-0006x/06x-03-1/Z	\$231
HA-0006x/06x-04-1/Z	\$96	HS-0006x/06x-04-1/Z	\$293
HA-0006x/06x-05-1/Z	\$117	HS-0006x/06x-05-1/Z	\$388
HA-0006x/06x-06-1/Z	\$124	HS-0006x/06x-06-1/Z	\$449
HA-0006x/06x-07-1/Z	\$124	HS-0006x/06x-07-1/Z	\$495
HA-0006x/06x-08-1/Z	\$168	HS-0006x/06x-08-1/Z	\$544
HA-0006x/06x-09-1/Z	\$182	HS-0006x/06x-09-1/Z	\$624
HA-0006x/06x-10-1/Z	\$179	HS-0006x/06x-10-1/Z	\$707

* Please Note: Header Bar Manifolds are Non-Returnable

Note: x - End & Side Port Thread Code
 P - NPT Threads S - SAE Threads
 BSPP, BSPT and Metric threads are also available,
 consult factory for price.

"Standard" Port Sizes and combinations are shown. Header Manifolds with "Non-Standard" Port Sizes or combinations are available - Request Quote.



Header Bar Manifolds* with NPT & SAE Ports - 0 Degree

1/2" NPT (#8 SAE) End Ports w / 1/4" NPT (#4 SAE) Side Ports

Aluminum / 0 Degree		Steel / 0 Degree	
HA-0008x/04x-02-1/Z	\$56	HS-0008x/04x-02-1/Z	\$166
HA-0008x/04x-03-1/Z	\$78	HS-0008x/04x-03-1/Z	\$231
HA-0008x/04x-04-1/Z	\$96	HS-0008x/04x-04-1/Z	\$293
HA-0008x/04x-05-1/Z	\$117	HS-0008x/04x-05-1/Z	\$387
HA-0008x/04x-06-1/Z	\$123	HS-0008x/04x-06-1/Z	\$449
HA-0008x/04x-07-1/Z	\$123	HS-0008x/04x-07-1/Z	\$495
HA-0008x/04x-08-1/Z	\$167	HS-0008x/04x-08-1/Z	\$543
HA-0008x/04x-09-1/Z	\$182	HS-0008x/04x-09-1/Z	\$624
HA-0008x/04x-10-1/Z	\$178	HS-0008x/04x-10-1/Z	\$706

1/2" NPT (#8 SAE) End Ports w / 1/2" NPT (#8 SAE) Side Ports

Aluminum / 0 Degree		Steel / 0 Degree	
HA-0008x/08x-02-1/Z	\$63	HS-0008x/08x-02-1/Z	\$184
HA-0008x/08x-03-1/Z	\$87	HS-0008x/08x-03-1/Z	\$255
HA-0008x/08x-04-1/Z	\$106	HS-0008x/08x-04-1/Z	\$323
HA-0008x/08x-05-1/Z	\$129	HS-0008x/08x-05-1/Z	\$427
HA-0008x/08x-06-1/Z	\$137	HS-0008x/08x-06-1/Z	\$494
HA-0008x/08x-07-1/Z	\$137	HS-0008x/08x-07-1/Z	\$545
HA-0008x/08x-08-1/Z	\$185	HS-0008x/08x-08-1/Z	\$599
HA-0008x/08x-09-1/Z	\$201	HS-0008x/08x-09-1/Z	\$687
HA-0008x/08x-10-1/Z	\$197	HS-0008x/08x-10-1/Z	\$778

3/4" NPT (#12 SAE) End Ports w / 1/2" NPT (#8 SAE) Side Ports

Aluminum / 0 Degree		Steel / 0 Degree	
HA-0012x/08x-02-1/Z	\$96.00	HS-0012x/08x-02-1/Z	\$195.00
HA-0012x/08x-03-1/Z	\$137.00	HS-0012x/08x-03-1/Z	\$270.00
HA-0012x/08x-04-1/Z	\$179.00	HS-0012x/08x-04-1/Z	\$372.00
HA-0012x/08x-05-1/Z	\$213.00	HS-0012x/08x-05-1/Z	\$477.00
HA-0012x/08x-06-1/Z	\$245.00	HS-0012x/08x-06-1/Z	\$541.00
HA-0012x/08x-07-1/Z	\$224.00	HS-0012x/08x-07-1/Z	\$596.00
HA-0012x/08x-08-1/Z	\$268.00	HS-0012x/08x-08-1/Z	\$662.00
HA-0012x/08x-09-1/Z	\$271.00	HS-0012x/08x-09-1/Z	\$847.00

1" NPT (#16 SAE) End Ports w / 1/2" NPT (#8 SAE) Side Ports

Aluminum / 0 Degree		Steel / 0 Degree	
HA-0016x/08x-02-1/Z	\$115	HS-0016x/08x-02-1/Z	\$288
HA-0016x/08x-03-1/Z	\$162	HS-0016x/08x-03-1/Z	\$421
HA-0016x/08x-04-1/Z	\$237	HS-0016x/08x-04-1/Z	\$563
HA-0016x/08x-05-1/Z	\$250	HS-0016x/08x-05-1/Z	\$647
HA-0016x/08x-06-1/Z	\$296	HS-0016x/08x-06-1/Z	\$732
HA-0016x/08x-07-1/Z	\$376	HS-0016x/08x-07-1/Z	\$843

1/2" NPT (#8 SAE) End Ports w / 3/8" NPT (#6 SAE) Side Ports

Aluminum / 0 Degree		Steel / 0 Degree	
HA-0008x/06x-02-1/Z	\$51.00	HS-0008x/06x-02-1/Z	\$151.00
HA-0008x/06x-03-1/Z	\$71.00	HS-0008x/06x-03-1/Z	\$210.00
HA-0008x/06x-04-1/Z	\$87.00	HS-0008x/06x-04-1/Z	\$266.00
HA-0008x/06x-05-1/Z	\$106.00	HS-0008x/06x-05-1/Z	\$352.00
HA-0008x/06x-06-1/Z	\$112.00	HS-0008x/06x-06-1/Z	\$408.00
HA-0008x/06x-07-1/Z	\$112.00	HS-0008x/06x-07-1/Z	\$450.00
HA-0008x/06x-08-1/Z	\$152.00	HS-0008x/06x-08-1/Z	\$494.00
HA-0008x/06x-09-1/Z	\$165.00	HS-0008x/06x-09-1/Z	\$567.00
HA-0008x/06x-10-1/Z	\$162.00	HS-0008x/06x-10-1/Z	\$642.00

3/4" NPT (#12 SAE) End Ports w / 3/8" NPT (#6 SAE) Side Ports

Aluminum / 0 Degree		Steel / 0 Degree	
HA-0012x/06x-02-1/Z	\$106	HS-0012x/06x-02-1/Z	\$215
HA-0012x/06x-03-1/Z	\$151	HS-0012x/06x-03-1/Z	\$297
HA-0012x/06x-04-1/Z	\$197	HS-0012x/06x-04-1/Z	\$410
HA-0012x/06x-05-1/Z	\$235	HS-0012x/06x-05-1/Z	\$525
HA-0012x/06x-06-1/Z	\$270	HS-0012x/06x-06-1/Z	\$596
HA-0012x/06x-07-1/Z	\$247	HS-0012x/06x-07-1/Z	\$656
HA-0012x/06x-08-1/Z	\$295	HS-0012x/06x-08-1/Z	\$729
HA-0012x/06x-09-1/Z	\$299	HS-0012x/06x-09-1/Z	\$932

3/4" NPT (#12 SAE) End Ports w / 3/4" NPT (#12 SAE) Side Ports

Aluminum / 0 Degree		Steel / 0 Degree	
HA-0012x/12x-02-1/Z	\$106	HS-0012x/12x-02-1/Z	\$287
HA-0012x/12x-03-1/Z	\$151	HS-0012x/12x-03-1/Z	\$420
HA-0012x/12x-04-1/Z	\$197	HS-0012x/12x-04-1/Z	\$562
HA-0012x/12x-05-1/Z	\$234	HS-0012x/12x-05-1/Z	\$647
HA-0012x/12x-06-1/Z	\$270	HS-0012x/12x-06-1/Z	\$732
HA-0012x/12x-07-1/Z	\$246	HS-0012x/12x-07-1/Z	\$843

1" NPT (#16 SAE) End Ports w / 3/4" NPT (#12 SAE) Side Ports

Aluminum / 0 Degree		Steel / 0 Degree	
HA-0016x/12x-02-1/Z	\$104.00	HS-0016x/12x-02-1/Z	\$261.00
HA-0016x/12x-03-1/Z	\$147.00	HS-0016x/12x-03-1/Z	\$382.00
HA-0016x/12x-04-1/Z	\$215.00	HS-0016x/12x-04-1/Z	\$511.00
HA-0016x/12x-05-1/Z	\$227.00	HS-0016x/12x-05-1/Z	\$588.00
HA-0016x/12x-06-1/Z	\$269.00	HS-0016x/12x-06-1/Z	\$665.00
HA-0016x/12x-07-1/Z	\$341.00	HS-0016x/12x-07-1/Z	\$766.00

* Please Note: Header Bar Manifolds are Non-Returnable

Note: x - End & Side Port Thread Code
 P - NPT Threads S - SAE Threads
 BSPP, BSPT and Metric threads are also available,
 consult factory for price.

"Standard" Port Sizes and combinations are shown. Header Manifolds with "Non-Standard" Port Sizes or combinations are available - Request Quote.

Header Bar Manifolds* with NPT & SAE Ports - 0 Degree



1" NPT (#16 SAE) End Ports w / 1" NPT (#16 SAE) Side Ports

Aluminum / 0 Degree		Steel / 0 Degree	
HA-0016x/16x-02-1/Z	\$114	HS-0016x/16x-02-1/Z	\$287
HA-0016x/16x-03-1/Z	\$162	HS-0016x/16x-03-1/Z	\$420
HA-0016x/16x-04-1/Z	\$237	HS-0016x/16x-04-1/Z	\$562
HA-0016x/16x-05-1/Z	\$250	HS-0016x/16x-05-1/Z	\$647
HA-0016x/16x-06-1/Z	\$296	HS-0016x/16x-06-1/Z	\$732
HA-0016x/16x-07-1/Z	\$375	HS-0016x/16x-07-1/Z	\$843

1 1/4" NPT (#20 SAE) End Ports w / 1" NPT (#16 SAE) Side Ports

Aluminum / 0 Degree		Steel / 0 Degree	
HA-0020x/16x-02-1/Z	\$139.00	HS-0020x/16x-02-1/Z	\$274.00
HA-0020x/16x-03-1/Z	\$186.00	HS-0020x/16x-03-1/Z	\$478.00
HA-0020x/16x-04-1/Z	\$240.00	HS-0020x/16x-04-1/Z	\$583.00
HA-0020x/16x-05-1/Z	\$310.00	HS-0020x/16x-05-1/Z	\$627.00
HA-0020x/16x-06-1/Z	\$347.00	HS-0020x/16x-06-1/Z	\$720.00

1 1/2" NPT (#24 SAE) End Ports w / 1" NPT (#16 SAE) Side Ports

Aluminum / 0 Degree		Steel / 0 Degree	
HA-0024x/16x-02-1/Z	\$235	HS-0024x/16x-02-1/Z	\$437
HA-0024x/16x-03-1/Z	\$327	HS-0024x/16x-03-1/Z	\$568
HA-0024x/16x-04-1/Z	\$361	HS-0024x/16x-04-1/Z	\$752
HA-0024x/16x-05-1/Z	\$441	HS-0024x/16x-05-1/Z	\$922
HA-0024x/16x-06-1/Z	\$485	HS-0024x/16x-06-1/Z	\$1,014

1 1/2" NPT (#24 SAE) End Ports w / 1 1/2" NPT (#24 SAE) Side Ports

Aluminum / 0 Degree		Steel / 0 Degree	
HA-0024x/24x-02-1/Z	\$236	HS-0024x/24x-02-1/Z	\$437
HA-0024x/24x-03-1/Z	\$327	HS-0024x/24x-03-1/Z	\$568
HA-0024x/24x-04-1/Z	\$361	HS-0024x/24x-04-1/Z	\$753

#32 SAE End Ports w / 1 1/2" NPT (#24 SAE) Side Ports

Aluminum / 0 Degree		Steel / 0 Degree	
HA-0032S/24x-02-1/Z	\$246	HS-0032S/24x-02-1/Z	\$598
HA-0032S/24x-03-1/Z	\$353	HS-0032S/24x-03-1/Z	\$782
HA-0032S/24x-04-1/Z	\$451	HS-0032S/24x-04-1/Z	\$1,038

1 1/4" NPT (#20 SAE) End Ports w / 3/4" NPT (#12 SAE) Side Ports

Aluminum / 0 Degree		Steel / 0 Degree	
HA-0020x/12x-02-1/Z	\$153	HS-0020x/12x-02-1/Z	\$301
HA-0020x/12x-03-1/Z	\$205	HS-0020x/12x-03-1/Z	\$526
HA-0020x/12x-04-1/Z	\$264	HS-0020x/12x-04-1/Z	\$641
HA-0020x/12x-05-1/Z	\$341	HS-0020x/12x-05-1/Z	\$690
HA-0020x/12x-06-1/Z	\$382	HS-0020x/12x-06-1/Z	\$690
HA-0020x/12x-07-1/Z	\$420	HS-0020x/12x-07-1/Z	\$759

1 1/4" NPT (#20 SAE) End Ports w / 1 1/4" NPT (#20 SAE) Side Ports

Aluminum / 0 Degree		Steel / 0 Degree	
HA-0020x/20x-02-1/Z	\$153	HS-0020x/20x-02-1/Z	\$302
HA-0020x/20x-03-1/Z	\$205	HS-0020x/20x-03-1/Z	\$526
HA-0020x/20x-04-1/Z	\$264	HS-0020x/20x-04-1/Z	\$642
HA-0020x/20x-05-1/Z	\$341	HS-0020x/20x-05-1/Z	\$690

1 1/2" NPT (#24 SAE) End Ports w / 1 1/4" NPT (#20 SAE) Side Ports

Aluminum / 0 Degree		Steel / 0 Degree	
HA-0024x/20x-02-1/Z	\$214.00	HS-0024x/20x-02-1/Z	\$397.00
HA-0024x/20x-03-1/Z	\$297.00	HS-0024x/20x-03-1/Z	\$516.00
HA-0024x/20x-04-1/Z	\$328.00	HS-0024x/20x-04-1/Z	\$684.00
HA-0024x/20x-05-1/Z	\$401.00	HS-0024x/20x-05-1/Z	\$838.00

2" NPT End Ports w / 1 1/2" NPT (#24 SAE) Side Ports

Aluminum / 0 Degree		Steel / 0 Degree	
HA-0032P/24x-02-1/Z	\$246	HS-0032P/24x-02-1/Z	\$598
HA-0032P/24x-03-1/Z	\$353	HS-0032P/24x-03-1/Z	\$782
HA-0032P/24x-04-1/Z	\$451	HS-0032P/24x-04-1/Z	\$1,038

* Please Note: Header Bar Manifolds are Non-Returnable

Note: x - End & Side Port Thread Code

P - NPT Threads S - SAE Threads

BSPP, BSPT and Metric threads are also available, consult factory for price.

"Standard" Port Sizes and combinations are shown. Header Manifolds with "Non-Standard" Port Sizes or combinations are available - Request Quote.



Header Bar Manifolds* with NPT & SAE Ports - 90 Degree

1/8" NPT End Ports w/ 1/16" NPT Side Ports

Aluminum / 90 Degree		Steel / 90 Degree	
HA-0902P/01P-02-1/Z	\$69	HS-0902P/01P-02-1/Z	\$179
HA-0902P/01P-03-1/Z	\$75	HS-0902P/01P-03-1/Z	\$128
HA-0902P/01P-04-1/Z	\$92	HS-0902P/01P-04-1/Z	\$140
HA-0902P/01P-05-1/Z	\$107	HS-0902P/01P-05-1/Z	\$145
HA-0902P/01P-06-1/Z	\$123	HS-0902P/01P-06-1/Z	\$150
HA-0902P/01P-07-1/Z	\$163	HS-0902P/01P-07-1/Z	\$171
HA-0902P/01P-08-1/Z	\$196	HS-0902P/01P-08-1/Z	\$182
HA-0902P/01P-09-1/Z	\$213	HS-0902P/01P-09-1/Z	\$212
HA-0902P/01P-10-1/Z	\$257	HS-0902P/01P-10-1/Z	\$230

1/8" NPT End Ports w/ 1/8" NPT Side Ports

Aluminum / 90 Degree		Steel / 90 Degree	
HA-0902P/02P-02-1/Z	\$69	HS-0902P/02P-02-1/Z	\$179
HA-0902P/02P-03-1/Z	\$75	HS-0902P/02P-03-1/Z	\$260
HA-0902P/02P-04-1/Z	\$92	HS-0902P/02P-04-1/Z	\$338
HA-0902P/02P-05-1/Z	\$107	HS-0902P/02P-05-1/Z	\$377
HA-0902P/02P-06-1/Z	\$123	HS-0902P/02P-06-1/Z	\$424
HA-0902P/02P-07-1/Z	\$163	HS-0902P/02P-07-1/Z	\$471
HA-0902P/02P-08-1/Z	\$196	HS-0902P/02P-08-1/Z	\$517
HA-0902P/02P-09-1/Z	\$213	HS-0902P/02P-09-1/Z	\$590
HA-0902P/02P-10-1/Z	\$257	HS-0902P/02P-10-1/Z	\$658

1/4" NPT End Ports w/ 1/8" NPT Side Ports

Aluminum / 90 Degree		Steel / 90 Degree	
HA-0904P/02P-02-1/Z	\$76	HS-0904P/02P-02-1/Z	\$197
HA-0904P/02P-03-1/Z	\$82	HS-0904P/02P-03-1/Z	\$141
HA-0904P/02P-04-1/Z	\$102	HS-0904P/02P-04-1/Z	\$154
HA-0904P/02P-05-1/Z	\$117	HS-0904P/02P-05-1/Z	\$160
HA-0904P/02P-06-1/Z	\$136	HS-0904P/02P-06-1/Z	\$165
HA-0904P/02P-07-1/Z	\$179	HS-0904P/02P-07-1/Z	\$188
HA-0904P/02P-08-1/Z	\$215	HS-0904P/02P-08-1/Z	\$200
HA-0904P/02P-09-1/Z	\$235	HS-0904P/02P-09-1/Z	\$233
HA-0904P/02P-10-1/Z	\$283	HS-0904P/02P-10-1/Z	\$253

1/4" NPT (#4 SAE) End Ports w/ 1/4" NPT (#4 SAE) Side Ports

Aluminum / 90 Degree		Steel / 90 Degree	
HA-0904x/04x-02-1/Z	\$84	HS-0904x/04x-02-1/Z	\$185
HA-0904x/04x-03-1/Z	\$97	HS-0904x/04x-03-1/Z	\$284
HA-0904x/04x-04-1/Z	\$119	HS-0904x/04x-04-1/Z	\$377
HA-0904x/04x-05-1/Z	\$139	HS-0904x/04x-05-1/Z	\$410
HA-0904x/04x-06-1/Z	\$160	HS-0904x/04x-06-1/Z	\$449
HA-0904x/04x-07-1/Z	\$179	HS-0904x/04x-07-1/Z	\$495
HA-0904x/04x-08-1/Z	\$207	HS-0904x/04x-08-1/Z	\$543
HA-0904x/04x-09-1/Z	\$221	HS-0904x/04x-09-1/Z	\$624
HA-0904x/04x-10-1/Z	\$292	HS-0904x/04x-10-1/Z	\$706

3/8" NPT (#6 SAE) End Ports w/ 1/8" NPT Side Ports

Aluminum / 90 Degree		Steel / 90 Degree	
HA-0906x/02P-02-1/Z	\$69	HS-0906x/02x-02-1/Z	\$179
HA-0906x/02P-03-1/Z	\$75	HS-0906x/02x-03-1/Z	\$260
HA-0906x/02P-04-1/Z	\$92	HS-0906x/02x-04-1/Z	\$338
HA-0906x/02P-05-1/Z	\$107	HS-0906x/02x-05-1/Z	\$377
HA-0906x/02P-06-1/Z	\$123	HS-0906x/02x-06-1/Z	\$424
HA-0906x/02P-07-1/Z	\$163	HS-0906x/02x-07-1/Z	\$471
HA-0906x/02P-08-1/Z	\$196	HS-0906x/02x-08-1/Z	\$517
HA-0906x/02P-09-1/Z	\$213	HS-0906x/02x-09-1/Z	\$590
HA-0906x/02P-10-1/Z	\$257	HS-0906x/02x-10-1/Z	\$658

3/8" NPT (#6 SAE) End Ports w/ 1/4" NPT (#4 SAE) Side Ports

Aluminum / 90 Degree		Steel / 90 Degree	
HA-0906x/04x-02-1/Z	\$63.00	HS-0906x/04x-02-1/Z	\$163.00
HA-0906x/04x-03-1/Z	\$68.00	HS-0906x/04x-03-1/Z	\$236.00
HA-0906x/04x-04-1/Z	\$84.00	HS-0906x/04x-04-1/Z	\$307.00
HA-0906x/04x-05-1/Z	\$97.00	HS-0906x/04x-05-1/Z	\$343.00
HA-0906x/04x-06-1/Z	\$112.00	HS-0906x/04x-06-1/Z	\$385.00
HA-0906x/04x-07-1/Z	\$148.00	HS-0906x/04x-07-1/Z	\$428.00
HA-0906x/04x-08-1/Z	\$178.00	HS-0906x/04x-08-1/Z	\$470.00
HA-0906x/04x-09-1/Z	\$194.00	HS-0906x/04x-09-1/Z	\$536.00
HA-0906x/04x-10-1/Z	\$234.00	HS-0906x/04x-10-1/Z	\$598.00

* Please Note: Header Bar Manifolds are Non-Returnable

Note: x - End & Side Port Thread Code

P - NPT Threads

S - SAE Threads

BSPP, BSPT and Metric threads are also available,
consult factory for price.

"Standard" Port Sizes and combinations are shown. Header Manifolds with "Non-Standard" Port Sizes or combinations are available - Request Quote.

Header Bar Manifolds* with NPT & SAE Ports - 90 Degree



3/8" NPT (#6 SAE) End Ports w / 3/8" NPT (#6 SAE) Side Ports

Aluminum / 90 Degree		Steel / 90 Degree	
HA-0906x/06x-02-1/Z	\$84	HS-0906x/06x-02-1/Z	\$185
HA-0906x/06x-03-1/Z	\$97	HS-0906x/06x-03-1/Z	\$284
HA-0906x/06x-04-1/Z	\$119	HS-0906x/06x-04-1/Z	\$377
HA-0906x/06x-05-1/Z	\$139	HS-0906x/06x-05-1/Z	\$410
HA-0906x/06x-06-1/Z	\$160	HS-0906x/06x-06-1/Z	\$449
HA-0906x/06x-07-1/Z	\$179	HS-0906x/06x-07-1/Z	\$495
HA-0906x/06x-08-1/Z	\$207	HS-0906x/06x-08-1/Z	\$543
HA-0906x/06x-09-1/Z	\$221	HS-0906x/06x-09-1/Z	\$624
HA-0906x/06x-10-1/Z	\$292	HS-0906x/06x-10-1/Z	\$706

1/2" NPT (#8 SAE) End Ports w / 1/4" NPT (#4 SAE) Side Ports

Aluminum / 90 Degree		Steel / 90 Degree	
HA-0908x/04x-02-1/Z	\$84	HS-0908x/04x-02-1/Z	\$185
HA-0908x/04x-03-1/Z	\$97	HS-0908x/04x-03-1/Z	\$284
HA-0908x/04x-04-1/Z	\$119	HS-0908x/04x-04-1/Z	\$377
HA-0908x/04x-05-1/Z	\$139	HS-0908x/04x-05-1/Z	\$410
HA-0908x/04x-06-1/Z	\$160	HS-0908x/04x-06-1/Z	\$449
HA-0908x/04x-07-1/Z	\$179	HS-0908x/04x-07-1/Z	\$495
HA-0908x/04x-08-1/Z	\$207	HS-0908x/04x-08-1/Z	\$543
HA-0908x/04x-09-1/Z	\$221	HS-0908x/04x-09-1/Z	\$624
HA-0908x/04x-10-1/Z	\$292	HS-0908x/04x-10-1/Z	\$706

1/2" NPT (#8 SAE) End Ports w / 3/8" NPT (#6 SAE) Side Ports

Aluminum / 90 Degree		Steel / 90 Degree	
HA-0908x/06x-02-1/Z	\$76.00	HS-0908x/06x-02-1/Z	\$168.00
HA-0908x/06x-03-1/Z	\$88.00	HS-0908x/06x-03-1/Z	\$258.00
HA-0908x/06x-04-1/Z	\$108.00	HS-0908x/06x-04-1/Z	\$343.00
HA-0908x/06x-05-1/Z	\$126.00	HS-0908x/06x-05-1/Z	\$373.00
HA-0908x/06x-06-1/Z	\$145.00	HS-0908x/06x-06-1/Z	\$408.00
HA-0908x/06x-07-1/Z	\$163.00	HS-0908x/06x-07-1/Z	\$450.00
HA-0908x/06x-08-1/Z	\$188.00	HS-0908x/06x-08-1/Z	\$494.00
HA-0908x/06x-09-1/Z	\$201.00	HS-0908x/06x-09-1/Z	\$567.00
HA-0908x/06x-10-1/Z	\$265.00	HS-0908x/06x-10-1/Z	\$642.00

1/2" NPT (#8 SAE) End Ports w / 1/2" NPT (#8 SAE) Side Ports

Aluminum / 90 Degree		Steel / 90 Degree	
HA-0908x/08x-02-1/Z	\$84	HS-0908x/08x-02-1/Z	\$185
HA-0908x/08x-03-1/Z	\$97	HS-0908x/08x-03-1/Z	\$284
HA-0908x/08x-04-1/Z	\$119	HS-0908x/08x-04-1/Z	\$377
HA-0908x/08x-05-1/Z	\$139	HS-0908x/08x-05-1/Z	\$410
HA-0908x/08x-06-1/Z	\$160	HS-0908x/08x-06-1/Z	\$449
HA-0908x/08x-07-1/Z	\$179	HS-0908x/08x-07-1/Z	\$495
HA-0908x/08x-08-1/Z	\$207	HS-0908x/08x-08-1/Z	\$543
HA-0908x/08x-09-1/Z	\$221	HS-0908x/08x-09-1/Z	\$624
HA-0908x/08x-10-1/Z	\$292	HS-0908x/08x-10-1/Z	\$706

3/4" NPT (#12 SAE) End Ports w / 3/8" NPT (#6 SAE) Side Ports

Aluminum / 90 Degree		Steel / 90 Degree	
HA-0912x/06x-02-1/Z	\$108	HS-0912x/06x-02-1/Z	\$241
HA-0912x/06x-03-1/Z	\$167	HS-0912x/06x-03-1/Z	\$345
HA-0912x/06x-04-1/Z	\$231	HS-0912x/06x-04-1/Z	\$476
HA-0912x/06x-05-1/Z	\$256	HS-0912x/06x-05-1/Z	\$574
HA-0912x/06x-06-1/Z	\$293	HS-0912x/06x-06-1/Z	\$642
HA-0912x/06x-07-1/Z	\$332	HS-0912x/06x-07-1/Z	\$756
HA-0912x/06x-08-1/Z	\$370	HS-0912x/06x-08-1/Z	\$868
HA-0912x/06x-09-1/Z	\$463	HS-0912x/06x-09-1/Z	\$957

3/4" NPT (#12 SAE) End Ports w / 1/2" NPT (#8 SAE) Side Ports

Aluminum / 90 Degree		Steel / 90 Degree	
HA-0912x/08x-02-1/Z	\$98.00	HS-0912x/08x-02-1/Z	\$219.00
HA-0912x/08x-03-1/Z	\$152.00	HS-0912x/08x-03-1/Z	\$314.00
HA-0912x/08x-04-1/Z	\$210.00	HS-0912x/08x-04-1/Z	\$433.00
HA-0912x/08x-05-1/Z	\$233.00	HS-0912x/08x-05-1/Z	\$522.00
HA-0912x/08x-06-1/Z	\$266.00	HS-0912x/08x-06-1/Z	\$584.00
HA-0912x/08x-07-1/Z	\$302.00	HS-0912x/08x-07-1/Z	\$687.00
HA-0912x/08x-08-1/Z	\$336.00	HS-0912x/08x-08-1/Z	\$789.00
HA-0912x/08x-09-1/Z	\$421.00	HS-0912x/08x-09-1/Z	\$870.00

* Please Note: Header Bar Manifolds are Non-Returnable

Note: x - End & Side Port Thread Code

P - NPT Threads

S - SAE Threads

BSPP, BSPT and Metric threads are also available, consult factory for price.

"Standard" Port Sizes and combinations are shown. Header Manifolds with "Non-Standard" Port Sizes or combinations are available - Request Quote.



Header Bar Manifolds* with NPT & SAE Ports - 90 Degree

3/4" NPT (#12 SAE) End Ports w / 3/4" NPT (#12 SAE) Side Ports

Aluminum / 90 Degree		Steel / 90 Degree	
HA-0912x/12x-02-1/Z	\$108	HS-0912x/12x-02-1/Z	\$241
HA-0912x/12x-03-1/Z	\$167	HS-0912x/12x-03-1/Z	\$345
HA-0912x/12x-04-1/Z	\$231	HS-0912x/12x-04-1/Z	\$476
HA-0912x/12x-05-1/Z	\$256	HS-0912x/12x-05-1/Z	\$574
HA-0912x/12x-06-1/Z	\$293	HS-0912x/12x-06-1/Z	\$642
HA-0912x/12x-07-1/Z	\$332	HS-0912x/12x-07-1/Z	\$756

1" NPT (#16 SAE) End Ports w / 1/2" NPT (#8 SAE) Side Ports

Aluminum / 90 Degree		Steel / 90 Degree	
HA-0916x/08x-02-1/Z	\$128	HS-0916x/08x-02-1/Z	\$295
HA-0916x/08x-03-1/Z	\$207	HS-0916x/08x-03-1/Z	\$447
HA-0916x/08x-04-1/Z	\$275	HS-0916x/08x-04-1/Z	\$648
HA-0916x/08x-05-1/Z	\$295	HS-0916x/08x-05-1/Z	\$781
HA-0916x/08x-06-1/Z	\$342	HS-0916x/08x-06-1/Z	\$889
HA-0916x/08x-07-1/Z	\$446	HS-0916x/08x-07-1/Z	\$1,004

1" NPT (#16 SAE) End Ports w / 3/4" NPT (#12 SAE) Side Ports

Aluminum / 90 Degree		Steel / 90 Degree	
HA-0916x/12x-02-1/Z	\$116.00	HS-0916x/12x-02-1/Z	\$268.00
HA-0916x/12x-03-1/Z	\$188.00	HS-0916x/12x-03-1/Z	\$406.00
HA-0916x/12x-04-1/Z	\$250.00	HS-0916x/12x-04-1/Z	\$589.00
HA-0916x/12x-05-1/Z	\$268.00	HS-0916x/12x-05-1/Z	\$710.00
HA-0916x/12x-06-1/Z	\$311.00	HS-0916x/12x-06-1/Z	\$808.00
HA-0916x/12x-07-1/Z	\$405.00	HS-0916x/12x-07-1/Z	\$913.00

1" NPT (#16 SAE) End Ports w / 1" NPT (#16 SAE) Side Ports

Aluminum / 90 Degree		Steel / 90 Degree	
HA-0916x/16x-02-1/Z	\$128	HS-0916x/16x-02-1/Z	\$295
HA-0916x/16x-03-1/Z	\$207	HS-0916x/16x-03-1/Z	\$447
HA-0916x/16x-04-1/Z	\$275	HS-0916x/16x-04-1/Z	\$648
HA-0916x/16x-05-1/Z	\$295	HS-0916x/16x-05-1/Z	\$781
HA-0916x/16x-06-1/Z	\$342	HS-0916x/16x-06-1/Z	\$889
HA-0916x/16x-07-1/Z	\$446	HS-0916x/16x-07-1/Z	\$1,004

1 1/4" NPT (#20 SAE) End Ports w / 3/4" NPT (#12 SAE) Side Ports

Aluminum / 90 Degree		Steel / 90 Degree	
HA-0920x/12x-02-1/Z	\$185	HS-0920x/12x-02-1/Z	\$363
HA-0920x/12x-03-1/Z	\$261	HS-0920x/12x-03-1/Z	\$498
HA-0920x/12x-04-1/Z	\$334	HS-0920x/12x-04-1/Z	\$656
HA-0920x/12x-05-1/Z	\$408	HS-0920x/12x-05-1/Z	\$803
HA-0920x/12x-06-1/Z	\$482	HS-0920x/12x-06-1/Z	\$952
HA-0920x/12x-07-1/Z	\$530	HS-0920x/12x-07-1/Z	\$1,047

1 1/4" NPT (#20 SAE) End Ports w / 1" NPT (#16 SAE) Side Ports

Aluminum / 90 Degree		Steel / 90 Degree	
HA-0920x/16x-02-1/Z	\$168.00	HS-0920x/16x-02-1/Z	\$330.00
HA-0920x/16x-03-1/Z	\$237.00	HS-0920x/16x-03-1/Z	\$453.00
HA-0920x/16x-04-1/Z	\$304.00	HS-0920x/16x-04-1/Z	\$596.00
HA-0920x/16x-05-1/Z	\$371.00	HS-0920x/16x-05-1/Z	\$730.00
HA-0920x/16x-06-1/Z	\$438.00	HS-0920x/16x-06-1/Z	\$865.00

1 1/4" NPT (#20 SAE) End Ports w / 1 1/4" NPT (#20 SAE) Side Ports

Aluminum / 90 Degree		Steel / 90 Degree	
HA-0920x/20x-02-1/Z	\$185	HS-0920x/20x-02-1/Z	\$363
HA-0920x/20x-03-1/Z	\$261	HS-0920x/20x-03-1/Z	\$498
HA-0920x/20x-04-1/Z	\$334	HS-0920x/20x-04-1/Z	\$656
HA-0920x/20x-05-1/Z	\$408	HS-0920x/20x-05-1/Z	\$803

1 1/2" NPT (#24 SAE) End Ports w / 1" NPT (#16 SAE) Side Ports

Aluminum / 90 Degree		Steel / 90 Degree	
HA-0924x/16x-02-1/Z	\$221	HS-0924x/16x-02-1/Z	\$475
HA-0924x/16x-03-1/Z	\$402	HS-0924x/16x-03-1/Z	\$660
HA-0924x/16x-04-1/Z	\$398	HS-0924x/16x-04-1/Z	\$853
HA-0924x/16x-05-1/Z	\$529	HS-0924x/16x-05-1/Z	\$1,047
HA-0924x/16x-06-1/Z	\$582	HS-0924x/16x-06-1/Z	\$1,152

* Please Note: Header Bar Manifolds are Non-Returnable

Note: x - End & Side Port Thread Code

P - NPT Threads

S - SAE Threads

BSPP, BSPT and Metric threads are also available, consult factory for price.

"Standard" Port Sizes and combinations are shown. Header Manifolds with "Non-Standard" Port Sizes or combinations are available - Request Quote.

Header Bar Manifolds* with NPT & SAE Ports - 90 Degree



1 1/2" NPT (#24 SAE) End Ports w / 1 1/4" NPT (#20 SAE) Side Ports

Aluminum / 90 Degree	
HA-0924x/20x-02-1/Z	\$201.00
HA-0924x/20x-03-1/Z	\$365.00
HA-0924x/20x-04-1/Z	\$362.00
HA-0924x/20x-05-1/Z	\$481.00

Steel / 90 Degree	
HS-0924x/20x-02-1/Z	\$432.00
HS-0924x/20x-03-1/Z	\$600.00
HS-0924x/20x-04-1/Z	\$775.00
HS-0924x/20x-05-1/Z	\$952.00

1 1/2" NPT (#24 SAE) End Ports w / 1 1/2" NPT (#24 SAE) Side Ports

Aluminum / 90 Degree	
HA-0924x/24x-02-1/Z	\$221
HA-0924x/24x-03-1/Z	\$402
HA-0924x/24x-04-1/Z	\$398

Steel / 90 Degree	
HS-0924x/24x-02-1/Z	\$475
HS-0924x/24x-03-1/Z	\$660
HS-0924x/24x-04-1/Z	\$853

2" NPT End Ports w / 1 1/2" NPT (#24 SAE) Side Ports

Aluminum / 90 Degree	
HA-0932P/24x-02-1/Z	\$283
HA-0932P/24x-03-1/Z	\$433
HA-0932P/24x-04-1/Z	\$592

Steel / 90 Degree	
HS-0932P/24x-02-1/Z	\$606
HS-0932P/24x-03-1/Z	\$870
HS-0932P/24x-04-1/Z	\$1,141

#32 SAE End Ports w / 1 1/2" NPT (#24 SAE) Side Ports

Aluminum / 90 Degree	
HA-0932S/24x-02-1/Z	\$283
HA-0932S/24x-03-1/Z	\$433
HA-0932S/24x-04-1/Z	\$592

Steel / 90 Degree	
HS-0932S/24x-02-1/Z	\$606
HS-0932S/24x-03-1/Z	\$870
HS-0932S/24x-04-1/Z	\$1,141

* Please Note: Header Bar Manifolds are Non-Returnable

Note: x - End & Side Port Thread Code

P - NPT Threads

S - SAE Threads

BSPP, BSPT and Metric threads are also available,
consult factory for price.

"Standard" Port Sizes and combinations are shown. Header Manifolds with "Non-Standard" Port Sizes or combinations are available - Request Quote.



Header Bar Manifolds* with NPT & SAE Ports - 180 Degree

1/8" NPT End Ports w/ 1/16" NPT Side Ports

Aluminum / 180 Degree		Steel / 180 Degree	
HA-1802P/01P-02-1/Z	\$66	HS-1802P/01P-02-1/Z	\$108
HA-1802P/01P-03-1/Z	\$78	HS-1802P/01P-03-1/Z	\$162
HA-1802P/01P-04-1/Z	\$92	HS-1802P/01P-04-1/Z	\$265
HA-1802P/01P-05-1/Z	\$119	HS-1802P/01P-05-1/Z	\$284
HA-1802P/01P-06-1/Z	\$132	HS-1802P/01P-06-1/Z	\$317
HA-1802P/01P-07-1/Z	\$164	HS-1802P/01P-07-1/Z	\$387
HA-1802P/01P-08-1/Z	\$167	HS-1802P/01P-08-1/Z	\$464
HA-1802P/01P-09-1/Z	\$205	HS-1802P/01P-09-1/Z	\$516
HA-1802P/01P-10-1/Z	\$257	HS-1802P/01P-10-1/Z	\$576

1/8" NPT End Ports w/ 1/8" NPT Side Ports

Aluminum / 180 Degree		Steel / 180 Degree	
HA-1802P/02P-02-1/Z	\$66	HS-1802P/02P-02-1/Z	\$108
HA-1802P/02P-03-1/Z	\$78	HS-1802P/02P-03-1/Z	\$162
HA-1802P/02P-04-1/Z	\$92	HS-1802P/02P-04-1/Z	\$265
HA-1802P/02P-05-1/Z	\$119	HS-1802P/02P-05-1/Z	\$284
HA-1802P/02P-06-1/Z	\$132	HS-1802P/02P-06-1/Z	\$317
HA-1802P/02P-07-1/Z	\$164	HS-1802P/02P-07-1/Z	\$387
HA-1802P/02P-08-1/Z	\$167	HS-1802P/02P-08-1/Z	\$464
HA-1802P/02P-09-1/Z	\$205	HS-1802P/02P-09-1/Z	\$516
HA-1802P/02P-10-1/Z	\$257	HS-1802P/02P-10-1/Z	\$576

1/4" NPT End Ports w/ 1/8" NPT Side Ports

Aluminum / 180 Degree		Steel / 180 Degree	
HA-1804P/02P-02-1/Z	\$73	HS-1804P/02P-02-1/Z	\$119
HA-1804P/02P-03-1/Z	\$86	HS-1804P/02P-03-1/Z	\$178
HA-1804P/02P-04-1/Z	\$102	HS-1804P/02P-04-1/Z	\$292
HA-1804P/02P-05-1/Z	\$131	HS-1804P/02P-05-1/Z	\$312
HA-1804P/02P-06-1/Z	\$145	HS-1804P/02P-06-1/Z	\$348
HA-1804P/02P-07-1/Z	\$180	HS-1804P/02P-07-1/Z	\$426
HA-1804P/02P-08-1/Z	\$184	HS-1804P/02P-08-1/Z	\$511
HA-1804P/02P-09-1/Z	\$225	HS-1804P/02P-09-1/Z	\$567
HA-1804P/02P-10-1/Z	\$283	HS-1804P/02P-10-1/Z	\$634

1/4" NPT (#4 SAE) End Ports w/ 1/4" NPT (#4 SAE) Side Ports

Aluminum / 180 Degree		Steel / 180 Degree	
HA-1804x/04x-02-1/Z	\$84	HS-1804x/04x-02-1/Z	\$179
HA-1804x/04x-03-1/Z	\$100	HS-1804x/04x-03-1/Z	\$246
HA-1804x/04x-04-1/Z	\$119	HS-1804x/04x-04-1/Z	\$298
HA-1804x/04x-05-1/Z	\$128	HS-1804x/04x-05-1/Z	\$320
HA-1804x/04x-06-1/Z	\$160	HS-1804x/04x-06-1/Z	\$352
HA-1804x/04x-07-1/Z	\$179	HS-1804x/04x-07-1/Z	\$414
HA-1804x/04x-08-1/Z	\$207	HS-1804x/04x-08-1/Z	\$517
HA-1804x/04x-09-1/Z	\$221	HS-1804x/04x-09-1/Z	\$549
HA-1804x/04x-10-1/Z	\$265	HS-1804x/04x-10-1/Z	\$617

3/8" NPT (#6 SAE) End Ports w/ 1/8" NPT Side Ports

Aluminum / 180 Degree		Steel / 180 Degree	
HA-1806x/02P-02-1/Z	\$66	HS-1806x/02x-02-1/Z	\$108
HA-1806x/02P-03-1/Z	\$78	HS-1806x/02x-03-1/Z	\$162
HA-1806x/02P-04-1/Z	\$92	HS-1806x/02x-04-1/Z	\$265
HA-1806x/02P-05-1/Z	\$119	HS-1806x/02x-05-1/Z	\$284
HA-1806x/02P-06-1/Z	\$132	HS-1806x/02x-06-1/Z	\$317
HA-1806x/02P-07-1/Z	\$164	HS-1806x/02x-07-1/Z	\$387
HA-1806x/02P-08-1/Z	\$167	HS-1806x/02x-08-1/Z	\$464
HA-1806x/02P-09-1/Z	\$205	HS-1806x/02x-09-1/Z	\$516
HA-1806x/02P-10-1/Z	\$257	HS-1806x/02x-10-1/Z	\$576

3/8" NPT (#6 SAE) End Ports w/ 1/4" NPT (#4 SAE) Side Ports

Aluminum / 180 Degree		Steel / 180 Degree	
HA-1806x/04x-02-1/Z	\$60.00	HS-1806x/04x-02-1/Z	\$98.00
HA-1806x/04x-03-1/Z	\$71.00	HS-1806x/04x-03-1/Z	\$147.00
HA-1806x/04x-04-1/Z	\$84.00	HS-1806x/04x-04-1/Z	\$241.00
HA-1806x/04x-05-1/Z	\$108.00	HS-1806x/04x-05-1/Z	\$258.00
HA-1806x/04x-06-1/Z	\$120.00	HS-1806x/04x-06-1/Z	\$288.00
HA-1806x/04x-07-1/Z	\$149.00	HS-1806x/04x-07-1/Z	\$352.00
HA-1806x/04x-08-1/Z	\$152.00	HS-1806x/04x-08-1/Z	\$422.00
HA-1806x/04x-09-1/Z	\$186.00	HS-1806x/04x-09-1/Z	\$469.00
HA-1806x/04x-10-1/Z	\$234.00	HS-1806x/04x-10-1/Z	\$524.00

* Please Note: Header Bar Manifolds are Non-Returnable

Note: x - End & Side Port Thread Code

P - NPT Threads

S - SAE Threads

BSPP, BSPT and Metric threads are also available,
consult factory for price.

"Standard" Port Sizes and combinations are shown. Header Manifolds with "Non-Standard" Port Sizes or combinations are available - Request Quote.

Header Bar Manifolds* with NPT & SAE Ports - 180 Degree



3/8" NPT (#6 SAE) End Ports w / 3/8" NPT (#6 SAE) Side Ports

Aluminum / 180 Degree		Steel / 180 Degree	
HA-1806x/06x-02-1/Z	\$84	HS-1806x/06x-02-1/Z	\$179
HA-1806x/06x-03-1/Z	\$100	HS-1806x/06x-03-1/Z	\$246
HA-1806x/06x-04-1/Z	\$119	HS-1806x/06x-04-1/Z	\$298
HA-1806x/06x-05-1/Z	\$128	HS-1806x/06x-05-1/Z	\$320
HA-1806x/06x-06-1/Z	\$160	HS-1806x/06x-06-1/Z	\$352
HA-1806x/06x-07-1/Z	\$179	HS-1806x/06x-07-1/Z	\$414
HA-1806x/06x-08-1/Z	\$207	HS-1806x/06x-08-1/Z	\$517
HA-1806x/06x-09-1/Z	\$221	HS-1806x/06x-09-1/Z	\$549
HA-1806x/06x-10-1/Z	\$265	HS-1806x/06x-10-1/Z	\$617

1/2" NPT (#8 SAE) End Ports w / 1/4" NPT (#4 SAE) Side Ports

Aluminum / 180 Degree		Steel / 180 Degree	
HA-1808x/04x-02-1/Z	\$84	HS-1808x/04x-02-1/Z	\$179
HA-1808x/04x-03-1/Z	\$100	HS-1808x/04x-03-1/Z	\$246
HA-1808x/04x-04-1/Z	\$119	HS-1808x/04x-04-1/Z	\$298
HA-1808x/04x-05-1/Z	\$128	HS-1808x/04x-05-1/Z	\$320
HA-1808x/04x-06-1/Z	\$160	HS-1808x/04x-06-1/Z	\$352
HA-1808x/04x-07-1/Z	\$179	HS-1808x/04x-07-1/Z	\$414
HA-1808x/04x-08-1/Z	\$207	HS-1808x/04x-08-1/Z	\$517
HA-1808x/04x-09-1/Z	\$221	HS-1808x/04x-09-1/Z	\$549
HA-1808x/04x-10-1/Z	\$265	HS-1808x/04x-10-1/Z	\$617

1/2" NPT (#8 SAE) End Ports w / 3/8" NPT (#6 SAE) Side Ports

Aluminum / 180 Degree		Steel / 180 Degree	
HA-1808x/06x-02-1/Z	\$76.00	HS-1808x/06x-02-1/Z	\$163.00
HA-1808x/06x-03-1/Z	\$91.00	HS-1808x/06x-03-1/Z	\$224.00
HA-1808x/06x-04-1/Z	\$108.00	HS-1808x/06x-04-1/Z	\$271.00
HA-1808x/06x-05-1/Z	\$116.00	HS-1808x/06x-05-1/Z	\$291.00
HA-1808x/06x-06-1/Z	\$145.00	HS-1808x/06x-06-1/Z	\$320.00
HA-1808x/06x-07-1/Z	\$163.00	HS-1808x/06x-07-1/Z	\$376.00
HA-1808x/06x-08-1/Z	\$188.00	HS-1808x/06x-08-1/Z	\$470.00
HA-1808x/06x-09-1/Z	\$201.00	HS-1808x/06x-09-1/Z	\$499.00
HA-1808x/06x-10-1/Z	\$241.00	HS-1808x/06x-10-1/Z	\$561.00

1/2" NPT (#8 SAE) End Ports w / 1/2" NPT (#8 SAE) Side Ports

Aluminum / 180 Degree		Steel / 180 Degree	
HA-1808x/08x-02-1/Z	\$92	HS-1808x/08x-02-1/Z	\$197
HA-1808x/08x-03-1/Z	\$110	HS-1808x/08x-03-1/Z	\$271
HA-1808x/08x-04-1/Z	\$131	HS-1808x/08x-04-1/Z	\$328
HA-1808x/08x-05-1/Z	\$140	HS-1808x/08x-05-1/Z	\$352
HA-1808x/08x-06-1/Z	\$175	HS-1808x/08x-06-1/Z	\$387
HA-1808x/08x-07-1/Z	\$197	HS-1808x/08x-07-1/Z	\$455
HA-1808x/08x-08-1/Z	\$227	HS-1808x/08x-08-1/Z	\$569
HA-1808x/08x-09-1/Z	\$243	HS-1808x/08x-09-1/Z	\$604
HA-1808x/08x-10-1/Z	\$292	HS-1808x/08x-10-1/Z	\$679

3/4" NPT (#12 SAE) End Ports w / 3/8" NPT (#6 SAE) Side Ports

Aluminum / 180 Degree		Steel / 180 Degree	
HA-1812x/06x-02-1/Z	\$118	HS-1812x/06x-02-1/Z	\$241
HA-1812x/06x-03-1/Z	\$174	HS-1812x/06x-03-1/Z	\$345
HA-1812x/06x-04-1/Z	\$209	HS-1812x/06x-04-1/Z	\$476
HA-1812x/06x-05-1/Z	\$276	HS-1812x/06x-05-1/Z	\$596
HA-1812x/06x-06-1/Z	\$293	HS-1812x/06x-06-1/Z	\$686
HA-1812x/06x-07-1/Z	\$332	HS-1812x/06x-07-1/Z	\$856
HA-1812x/06x-08-1/Z	\$426	HS-1812x/06x-08-1/Z	\$868
HA-1812x/06x-09-1/Z	\$422	HS-1812x/06x-09-1/Z	\$957

3/4" NPT (#12 SAE) End Ports w / 1/2" NPT (#8 SAE) Side Ports

Aluminum / 180 Degree		Steel / 180 Degree	
HA-1812x/08x-02-1/Z	\$107.00	HS-1812x/08x-02-1/Z	\$219.00
HA-1812x/08x-03-1/Z	\$158.00	HS-1812x/08x-03-1/Z	\$314.00
HA-1812x/08x-04-1/Z	\$190.00	HS-1812x/08x-04-1/Z	\$433.00
HA-1812x/08x-05-1/Z	\$251.00	HS-1812x/08x-05-1/Z	\$542.00
HA-1812x/08x-06-1/Z	\$266.00	HS-1812x/08x-06-1/Z	\$624.00
HA-1812x/08x-07-1/Z	\$302.00	HS-1812x/08x-07-1/Z	\$778.00
HA-1812x/08x-08-1/Z	\$387.00	HS-1812x/08x-08-1/Z	\$789.00
HA-1812x/08x-09-1/Z	\$384.00	HS-1812x/08x-09-1/Z	\$870.00

* Please Note: Header Bar Manifolds are Non-Returnable

Note: x - End & Side Port Thread Code

P - NPT Threads

S - SAE Threads

BSPP, BSPT and Metric threads are also available, consult factory for price.

"Standard" Port Sizes and combinations are shown. Header Manifolds with "Non-Standard" Port Sizes or combinations are available - Request Quote.



Header Bar Manifolds* with NPT & SAE Ports - 180 Degree

3/4" NPT (#12 SAE) End Ports w / 3/4" NPT (#12 SAE) Side Ports

Aluminum / 180 Degree		Steel / 180 Degree	
HA-1812x/12x-02-1/Z	\$118	HS-1812x/12x-02-1/Z	\$241
HA-1812x/12x-03-1/Z	\$174	HS-1812x/12x-03-1/Z	\$345
HA-1812x/12x-04-1/Z	\$209	HS-1812x/12x-04-1/Z	\$476
HA-1812x/12x-05-1/Z	\$276	HS-1812x/12x-05-1/Z	\$596
HA-1812x/12x-06-1/Z	\$293	HS-1812x/12x-06-1/Z	\$686
HA-1812x/12x-07-1/Z	\$332	HS-1812x/12x-07-1/Z	\$856

1" NPT (#16 SAE) End Ports w / 1/2" NPT (#8 SAE) Side Ports

Aluminum / 180 Degree		Steel / 180 Degree	
HA-1816x/08x-02-1/Z	\$135	HS-1816x/08x-02-1/Z	\$326
HA-1816x/08x-03-1/Z	\$189	HS-1816x/08x-03-1/Z	\$447
HA-1816x/08x-04-1/Z	\$241	HS-1816x/08x-04-1/Z	\$670
HA-1816x/08x-05-1/Z	\$295	HS-1816x/08x-05-1/Z	\$806
HA-1816x/08x-06-1/Z	\$410	HS-1816x/08x-06-1/Z	\$921
HA-1816x/08x-07-1/Z	\$458	HS-1816x/08x-07-1/Z	\$1,110

1" NPT (#16 SAE) End Ports w / 3/4" NPT (#12 SAE) Side Ports

Aluminum / 180 Degree		Steel / 180 Degree	
HA-1816x/12x-02-1/Z	\$123.00	HS-1816x/12x-02-1/Z	\$296.00
HA-1816x/12x-03-1/Z	\$172.00	HS-1816x/12x-03-1/Z	\$406.00
HA-1816x/12x-04-1/Z	\$219.00	HS-1816x/12x-04-1/Z	\$609.00
HA-1816x/12x-05-1/Z	\$268.00	HS-1816x/12x-05-1/Z	\$733.00
HA-1816x/12x-06-1/Z	\$373.00	HS-1816x/12x-06-1/Z	\$837.00
HA-1816x/12x-07-1/Z	\$416.00	HS-1816x/12x-07-1/Z	\$1,009.00

1" NPT (#16 SAE) End Ports w / 1" NPT (#16 SAE) Side Ports

Aluminum / 180 Degree		Steel / 180 Degree	
HA-1816x/16x-02-1/Z	\$135	HS-1816x/16x-02-1/Z	\$326
HA-1816x/16x-03-1/Z	\$189	HS-1816x/16x-03-1/Z	\$447
HA-1816x/16x-04-1/Z	\$241	HS-1816x/16x-04-1/Z	\$670
HA-1816x/16x-05-1/Z	\$295	HS-1816x/16x-05-1/Z	\$806
HA-1816x/16x-06-1/Z	\$410	HS-1816x/16x-06-1/Z	\$921
HA-1816x/16x-07-1/Z	\$458	HS-1816x/16x-07-1/Z	\$1,110

1 1/4" NPT (#20 SAE) End Ports w / 3/4" NPT (#12 SAE) Side Ports

Aluminum / 180 Degree		Steel / 180 Degree	
HA-1820x/12x-02-1/Z	\$195	HS-1820x/12x-02-1/Z	\$344
HA-1820x/12x-03-1/Z	\$244	HS-1820x/12x-03-1/Z	\$480
HA-1820x/12x-04-1/Z	\$317	HS-1820x/12x-04-1/Z	\$673
HA-1820x/12x-05-1/Z	\$351	HS-1820x/12x-05-1/Z	\$803
HA-1820x/12x-06-1/Z	\$416	HS-1820x/12x-06-1/Z	\$952
HA-1820x/12x-07-1/Z	\$457	HS-1820x/12x-07-1/Z	\$1,047

1 1/4" NPT (#20 SAE) End Ports w / 1" NPT (#16 SAE) Side Ports

Aluminum / 180 Degree		Steel / 180 Degree	
HA-1820x/16x-02-1/Z	\$177.00	HS-1820x/16x-02-1/Z	\$313.00
HA-1820x/16x-03-1/Z	\$222.00	HS-1820x/16x-03-1/Z	\$436.00
HA-1820x/16x-04-1/Z	\$288.00	HS-1820x/16x-04-1/Z	\$612.00
HA-1820x/16x-05-1/Z	\$319.00	HS-1820x/16x-05-1/Z	\$730.00
HA-1820x/16x-06-1/Z	\$378.00	HS-1820x/16x-06-1/Z	\$865.00

1 1/4" NPT (#20 SAE) End Ports w / 1 1/4" NPT (#20 SAE) Side Ports

Aluminum / 180 Degree		Steel / 180 Degree	
HA-1820x/20x-02-1/Z	\$195	HS-1820x/20x-02-1/Z	\$344
HA-1820x/20x-03-1/Z	\$244	HS-1820x/20x-03-1/Z	\$480
HA-1820x/20x-04-1/Z	\$317	HS-1820x/20x-04-1/Z	\$673
HA-1820x/20x-05-1/Z	\$351	HS-1820x/20x-05-1/Z	\$803

1 1/2" NPT (#24 SAE) End Ports w / 1" NPT (#16 SAE) Side Ports

Aluminum / 180 Degree		Steel / 180 Degree	
HA-1824x/16x-02-1/Z	\$287	HS-1824x/16x-02-1/Z	\$492
HA-1824x/16x-03-1/Z	\$325	HS-1824x/16x-03-1/Z	\$615
HA-1824x/16x-04-1/Z	\$410	HS-1824x/16x-04-1/Z	\$853
HA-1824x/16x-05-1/Z	\$465	HS-1824x/16x-05-1/Z	\$1,047
HA-1824x/16x-06-1/Z	\$512	HS-1824x/16x-06-1/Z	\$1,152

* Please Note: Header Bar Manifolds are Non-Returnable

Note: x - End & Side Port Thread Code

P - NPT Threads

S - SAE Threads

BSPP, BSPT and Metric threads are also available,
consult factory for price.

"Standard" Port Sizes and combinations are shown. Header Manifolds with "Non-Standard" Port Sizes or combinations are available - Request Quote.

Header Bar Manifolds* with NPT & SAE Ports - 180 Degree



1 1/2" NPT (#24 SAE) End Ports w / 1 1/4" NPT (#20 SAE) Side Ports

Aluminum / 180 Degree		Steel / 180 Degree	
HA-1824x/20x-02-1/Z	\$261.00	HS-1824x/20x-02-1/Z	\$447.00
HA-1824x/20x-03-1/Z	\$295.00	HS-1824x/20x-03-1/Z	\$559.00
HA-1824x/20x-04-1/Z	\$373.00	HS-1824x/20x-04-1/Z	\$775.00
HA-1824x/20x-05-1/Z	\$423.00	HS-1824x/20x-05-1/Z	\$952.00

1 1/2" NPT (#24 SAE) End Ports w / 1 1/2" NPT (#24 SAE) Side Ports

Aluminum / 180 Degree		Steel / 180 Degree	
HA-1824x/24x-02-1/Z	\$287	HS-1824x/24x-02-1/Z	\$492
HA-1824x/24x-03-1/Z	\$325	HS-1824x/24x-03-1/Z	\$660
HA-1824x/24x-04-1/Z	\$410	HS-1824x/24x-04-1/Z	\$853

2" NPT End Ports w / 1 1/2" NPT (#24 SAE) Side Ports

Aluminum / 180 Degree		Steel / 180 Degree	
HA-1832P/24x-02-1/Z	\$303	HS-1832P/24x-02-1/Z	\$632
HA-1832P/24x-03-1/Z	\$433	HS-1832P/24x-03-1/Z	\$829
HA-1832P/24x-04-1/Z	\$517	HS-1832P/24x-04-1/Z	\$1,141

#32 SAE End Ports w / 1 1/2" NPT (#24 SAE) Side Ports

Aluminum / 180 Degree		Steel / 180 Degree	
HA-1832S/24x-02-1/Z	\$303	HS-1832S/24x-02-1/Z	\$632
HA-1832S/24x-03-1/Z	\$433	HS-1832S/24x-03-1/Z	\$829
HA-1832S/24x-04-1/Z	\$517	HS-1832S/24x-04-1/Z	\$1,141

* Please Note: Header Bar Manifolds are Non-Returnable

Note: x - End & Side Port Thread Code

P - NPT Threads

S - SAE Threads

BSPP, BSPT and Metric threads are also available,
consult factory for price.

"Standard" Port Sizes and combinations are shown. Header Manifolds with "Non-Standard" Port Sizes or combinations are available - Request Quote.



Header Bar Manifolds* with NPT & SAE Ports - 270 Degree

1/8" NPT End Ports w/ 1/16" NPT Side Ports

Aluminum / 270 Degree		Steel / 270 Degree	
HA-2702P/01P-02-1/Z	\$79	HS-2702P/01P-02-1/Z	\$129
HA-2702P/01P-03-1/Z	\$94	HS-2702P/01P-03-1/Z	\$194
HA-2702P/01P-04-1/Z	\$111	HS-2702P/01P-04-1/Z	\$318
HA-2702P/01P-05-1/Z	\$143	HS-2702P/01P-05-1/Z	\$341
HA-2702P/01P-06-1/Z	\$158	HS-2702P/01P-06-1/Z	\$380
HA-2702P/01P-07-1/Z	\$197	HS-2702P/01P-07-1/Z	\$465
HA-2702P/01P-08-1/Z	\$201	HS-2702P/01P-08-1/Z	\$557
HA-2702P/01P-09-1/Z	\$246	HS-2702P/01P-09-1/Z	\$619
HA-2702P/01P-10-1/Z	\$309	HS-2702P/01P-10-1/Z	\$692

1/8" NPT End Ports w/ 1/8" NPT Side Ports

Aluminum / 270 Degree		Steel / 270 Degree	
HA-2702P/02P-02-1/Z	\$79	HS-2702P/02P-02-1/Z	\$129
HA-2702P/02P-03-1/Z	\$94	HS-2702P/02P-03-1/Z	\$194
HA-2702P/02P-04-1/Z	\$111	HS-2702P/02P-04-1/Z	\$318
HA-2702P/02P-05-1/Z	\$143	HS-2702P/02P-05-1/Z	\$341
HA-2702P/02P-06-1/Z	\$158	HS-2702P/02P-06-1/Z	\$380
HA-2702P/02P-07-1/Z	\$197	HS-2702P/02P-07-1/Z	\$465
HA-2702P/02P-08-1/Z	\$201	HS-2702P/02P-08-1/Z	\$557
HA-2702P/02P-09-1/Z	\$246	HS-2702P/02P-09-1/Z	\$619
HA-2702P/02P-10-1/Z	\$309	HS-2702P/02P-10-1/Z	\$692

1/4" NPT End Ports w/ 1/8" NPT Side Ports

Aluminum / 270 Degree		Steel / 270 Degree	
HA-2704P/02P-02-1/Z	\$87	HS-2704P/02P-02-1/Z	\$142
HA-2704P/02P-03-1/Z	\$103	HS-2704P/02P-03-1/Z	\$213
HA-2704P/02P-04-1/Z	\$122	HS-2704P/02P-04-1/Z	\$350
HA-2704P/02P-05-1/Z	\$157	HS-2704P/02P-05-1/Z	\$375
HA-2704P/02P-06-1/Z	\$174	HS-2704P/02P-06-1/Z	\$418
HA-2704P/02P-07-1/Z	\$216	HS-2704P/02P-07-1/Z	\$511
HA-2704P/02P-08-1/Z	\$221	HS-2704P/02P-08-1/Z	\$613
HA-2704P/02P-09-1/Z	\$270	HS-2704P/02P-09-1/Z	\$681
HA-2704P/02P-10-1/Z	\$340	HS-2704P/02P-10-1/Z	\$761

1/4" NPT (#4 SAE) End Ports w/ 1/4" NPT (#4 SAE) Side Ports

Aluminum / 270 Degree		Steel / 270 Degree	
HA-2704x/04x-02-1/Z	\$100	HS-2704x/04x-02-1/Z	\$215
HA-2704x/04x-03-1/Z	\$120	HS-2704x/04x-03-1/Z	\$296
HA-2704x/04x-04-1/Z	\$143	HS-2704x/04x-04-1/Z	\$358
HA-2704x/04x-05-1/Z	\$153	HS-2704x/04x-05-1/Z	\$384
HA-2704x/04x-06-1/Z	\$191	HS-2704x/04x-06-1/Z	\$422
HA-2704x/04x-07-1/Z	\$215	HS-2704x/04x-07-1/Z	\$496
HA-2704x/04x-08-1/Z	\$248	HS-2704x/04x-08-1/Z	\$620
HA-2704x/04x-09-1/Z	\$265	HS-2704x/04x-09-1/Z	\$659
HA-2704x/04x-10-1/Z	\$318	HS-2704x/04x-10-1/Z	\$741

3/8" NPT (#6 SAE) End Ports w/ 1/8" NPT Side Ports

Aluminum / 270 Degree		Steel / 270 Degree	
HA-2706x/02P-02-1/Z	\$79	HS-2706x/02x-02-1/Z	\$129
HA-2706x/02P-03-1/Z	\$94	HS-2706x/02x-03-1/Z	\$194
HA-2706x/02P-04-1/Z	\$111	HS-2706x/02x-04-1/Z	\$318
HA-2706x/02P-05-1/Z	\$143	HS-2706x/02x-05-1/Z	\$341
HA-2706x/02P-06-1/Z	\$158	HS-2706x/02x-06-1/Z	\$380
HA-2706x/02P-07-1/Z	\$197	HS-2706x/02x-07-1/Z	\$465
HA-2706x/02P-08-1/Z	\$201	HS-2706x/02x-08-1/Z	\$557
HA-2706x/02P-09-1/Z	\$246	HS-2706x/02x-09-1/Z	\$619
HA-2706x/02P-10-1/Z	\$309	HS-2706x/02x-10-1/Z	\$692

3/8" NPT (#6 SAE) End Ports w/ 1/4" NPT (#4 SAE) Side Ports

Aluminum / 270 Degree		Steel / 270 Degree	
HA-2706x/04x-02-1/Z	\$72	HS-2706x/04x-02-1/Z	\$118
HA-2706x/04x-03-1/Z	\$85	HS-2706x/04x-03-1/Z	\$176
HA-2706x/04x-04-1/Z	\$101	HS-2706x/04x-04-1/Z	\$289
HA-2706x/04x-05-1/Z	\$130	HS-2706x/04x-05-1/Z	\$310
HA-2706x/04x-06-1/Z	\$144	HS-2706x/04x-06-1/Z	\$346
HA-2706x/04x-07-1/Z	\$179	HS-2706x/04x-07-1/Z	\$422
HA-2706x/04x-08-1/Z	\$182	HS-2706x/04x-08-1/Z	\$506
HA-2706x/04x-09-1/Z	\$223	HS-2706x/04x-09-1/Z	\$563
HA-2706x/04x-10-1/Z	\$281	HS-2706x/04x-10-1/Z	\$629

* Please Note: Header Bar Manifolds are Non-Returnable

Note: x - End & Side Port Thread Code

P - NPT Threads

S - SAE Threads

BSPP, BSPT and Metric threads are also available,
consult factory for price.

"Standard" Port Sizes and combinations are shown. Header Manifolds with "Non-Standard" Port Sizes or combinations are available - Request Quote.

Header Bar Manifolds* with NPT & SAE Ports - 270 Degree



3/8" NPT (#6 SAE) End Ports w / 3/8" NPT (#6 SAE) Side Ports

Aluminum / 270 Degree		Steel / 270 Degree	
HA-2706x/06x-02-1/Z	\$100	HS-2706x/06x-02-1/Z	\$215
HA-2706x/06x-03-1/Z	\$120	HS-2706x/06x-03-1/Z	\$296
HA-2706x/06x-04-1/Z	\$143	HS-2706x/06x-04-1/Z	\$358
HA-2706x/06x-05-1/Z	\$153	HS-2706x/06x-05-1/Z	\$384
HA-2706x/06x-06-1/Z	\$191	HS-2706x/06x-06-1/Z	\$422
HA-2706x/06x-07-1/Z	\$215	HS-2706x/06x-07-1/Z	\$496
HA-2706x/06x-08-1/Z	\$248	HS-2706x/06x-08-1/Z	\$620
HA-2706x/06x-09-1/Z	\$265	HS-2706x/06x-09-1/Z	\$659
HA-2706x/06x-10-1/Z	\$318	HS-2706x/06x-10-1/Z	\$741

1/2" NPT (#8 SAE) End Ports w / 1/4" NPT (#4 SAE) Side Ports

Aluminum / 270 Degree		Steel / 270 Degree	
HA-2708x/04x-02-1/Z	\$100	HS-2708x/04x-02-1/Z	\$215
HA-2708x/04x-03-1/Z	\$120	HS-2708x/04x-03-1/Z	\$296
HA-2708x/04x-04-1/Z	\$143	HS-2708x/04x-04-1/Z	\$358
HA-2708x/04x-05-1/Z	\$153	HS-2708x/04x-05-1/Z	\$384
HA-2708x/04x-06-1/Z	\$191	HS-2708x/04x-06-1/Z	\$422
HA-2708x/04x-07-1/Z	\$215	HS-2708x/04x-07-1/Z	\$496
HA-2708x/04x-08-1/Z	\$248	HS-2708x/04x-08-1/Z	\$620
HA-2708x/04x-09-1/Z	\$265	HS-2708x/04x-09-1/Z	\$659
HA-2708x/04x-10-1/Z	\$318	HS-2708x/04x-10-1/Z	\$741

1/2" NPT (#8 SAE) End Ports w / 3/8" NPT (#6 SAE) Side Ports

Aluminum / 270 Degree		Steel / 270 Degree	
HA-2708x/06x-02-1/Z	\$91	HS-2708x/06x-02-1/Z	\$196
HA-2708x/06x-03-1/Z	\$109	HS-2708x/06x-03-1/Z	\$269
HA-2708x/06x-04-1/Z	\$130	HS-2708x/06x-04-1/Z	\$325
HA-2708x/06x-05-1/Z	\$139	HS-2708x/06x-05-1/Z	\$349
HA-2708x/06x-06-1/Z	\$174	HS-2708x/06x-06-1/Z	\$384
HA-2708x/06x-07-1/Z	\$196	HS-2708x/06x-07-1/Z	\$451
HA-2708x/06x-08-1/Z	\$226	HS-2708x/06x-08-1/Z	\$564
HA-2708x/06x-09-1/Z	\$241	HS-2708x/06x-09-1/Z	\$599
HA-2708x/06x-10-1/Z	\$289	HS-2708x/06x-10-1/Z	\$673

1/2" NPT (#8 SAE) End Ports w / 1/2" NPT (#8 SAE) Side Ports

Aluminum / 270 Degree		Steel / 270 Degree	
HA-2708x/08x-02-1/Z	\$110	HS-2708x/08x-02-1/Z	\$237
HA-2708x/08x-03-1/Z	\$132	HS-2708x/08x-03-1/Z	\$325
HA-2708x/08x-04-1/Z	\$157	HS-2708x/08x-04-1/Z	\$393
HA-2708x/08x-05-1/Z	\$168	HS-2708x/08x-05-1/Z	\$423
HA-2708x/08x-06-1/Z	\$211	HS-2708x/08x-06-1/Z	\$465
HA-2708x/08x-07-1/Z	\$237	HS-2708x/08x-07-1/Z	\$546
HA-2708x/08x-08-1/Z	\$273	HS-2708x/08x-08-1/Z	\$682
HA-2708x/08x-09-1/Z	\$292	HS-2708x/08x-09-1/Z	\$725
HA-2708x/08x-10-1/Z	\$350	HS-2708x/08x-10-1/Z	\$815

3/4" NPT (#12 SAE) End Ports w / 3/8" NPT (#6 SAE) Side Ports

Aluminum / 270 Degree		Steel / 270 Degree	
HA-2712x/06x-02-1/Z	\$141	HS-2712x/06x-02-1/Z	\$289
HA-2712x/06x-03-1/Z	\$209	HS-2712x/06x-03-1/Z	\$414
HA-2712x/06x-04-1/Z	\$251	HS-2712x/06x-04-1/Z	\$572
HA-2712x/06x-05-1/Z	\$331	HS-2712x/06x-05-1/Z	\$715
HA-2712x/06x-06-1/Z	\$351	HS-2712x/06x-06-1/Z	\$824
HA-2712x/06x-07-1/Z	\$399	HS-2712x/06x-07-1/Z	\$1,027
HA-2712x/06x-08-1/Z	\$511	HS-2712x/06x-08-1/Z	\$1,041
HA-2712x/06x-09-1/Z	\$507	HS-2712x/06x-09-1/Z	\$1,148

3/4" NPT (#12 SAE) End Ports w / 1/2" NPT (#8 SAE) Side Ports

Aluminum / 270 Degree		Steel / 270 Degree	
HA-2712x/08x-02-1/Z	\$128	HS-2712x/08x-02-1/Z	\$263
HA-2712x/08x-03-1/Z	\$190	HS-2712x/08x-03-1/Z	\$377
HA-2712x/08x-04-1/Z	\$228	HS-2712x/08x-04-1/Z	\$520
HA-2712x/08x-05-1/Z	\$301	HS-2712x/08x-05-1/Z	\$650
HA-2712x/08x-06-1/Z	\$319	HS-2712x/08x-06-1/Z	\$749
HA-2712x/08x-07-1/Z	\$362	HS-2712x/08x-07-1/Z	\$934
HA-2712x/08x-08-1/Z	\$464	HS-2712x/08x-08-1/Z	\$947
HA-2712x/08x-09-1/Z	\$461	HS-2712x/08x-09-1/Z	\$1,044

* Please Note: Header Bar Manifolds are Non-Returnable

Note: x - End & Side Port Thread Code

P - NPT Threads

S - SAE Threads

BSPP, BSPT and Metric threads are also available,
consult factory for price.

"Standard" Port Sizes and combinations are shown. Header Manifolds with "Non-Standard" Port Sizes or combinations are available - Request Quote.



Header Bar Manifolds* with NPT & SAE Ports - 270 Degree

3/4" NPT (#12 SAE) End Ports w / 3/4" NPT (#12 SAE) Side Ports

Aluminum / 270 Degree		Steel / 270 Degree	
HA-2712x/12x-02-1/Z	\$141	HS-2712x/12x-02-1/Z	\$289
HA-2712x/12x-03-1/Z	\$209	HS-2712x/12x-03-1/Z	\$414
HA-2712x/12x-04-1/Z	\$251	HS-2712x/12x-04-1/Z	\$572
HA-2712x/12x-05-1/Z	\$331	HS-2712x/12x-05-1/Z	\$715
HA-2712x/12x-06-1/Z	\$351	HS-2712x/12x-06-1/Z	\$824
HA-2712x/12x-07-1/Z	\$399	HS-2712x/12x-07-1/Z	\$1,027

1" NPT (#16 SAE) End Ports w / 1/2" NPT (#8 SAE) Side Ports

Aluminum / 270 Degree		Steel / 270 Degree	
HA-2716x/08x-02-1/Z	\$162	HS-2716x/08x-02-1/Z	\$391
HA-2716x/08x-03-1/Z	\$227	HS-2716x/08x-03-1/Z	\$536
HA-2716x/08x-04-1/Z	\$289	HS-2716x/08x-04-1/Z	\$804
HA-2716x/08x-05-1/Z	\$354	HS-2716x/08x-05-1/Z	\$968
HA-2716x/08x-06-1/Z	\$492	HS-2716x/08x-06-1/Z	\$1,105
HA-2716x/08x-07-1/Z	\$549	HS-2716x/08x-07-1/Z	\$1,332

1" NPT (#16 SAE) End Ports w / 3/4" NPT (#12 SAE) Side Ports

Aluminum / 270 Degree		Steel / 270 Degree	
HA-2716x/12x-02-1/Z	\$148	HS-2716x/12x-02-1/Z	\$355
HA-2716x/12x-03-1/Z	\$206	HS-2716x/12x-03-1/Z	\$487
HA-2716x/12x-04-1/Z	\$263	HS-2716x/12x-04-1/Z	\$731
HA-2716x/12x-05-1/Z	\$322	HS-2716x/12x-05-1/Z	\$880
HA-2716x/12x-06-1/Z	\$448	HS-2716x/12x-06-1/Z	\$1,004
HA-2716x/12x-07-1/Z	\$499	HS-2716x/12x-07-1/Z	\$1,211

1" NPT (#16 SAE) End Ports w / 1" NPT (#16 SAE) Side Ports

Aluminum / 270 Degree		Steel / 270 Degree	
HA-2716x/16x-02-1/Z	\$162	HS-2716x/16x-02-1/Z	\$391
HA-2716x/16x-03-1/Z	\$227	HS-2716x/16x-03-1/Z	\$536
HA-2716x/16x-04-1/Z	\$289	HS-2716x/16x-04-1/Z	\$804
HA-2716x/16x-05-1/Z	\$354	HS-2716x/16x-05-1/Z	\$968
HA-2716x/16x-06-1/Z	\$492	HS-2716x/16x-06-1/Z	\$1,105
HA-2716x/16x-07-1/Z	\$549	HS-2716x/16x-07-1/Z	\$1,332

1 1/4" NPT (#20 SAE) End Ports w / 3/4" NPT (#12 SAE) Side Ports

Aluminum / 270 Degree		Steel / 270 Degree	
HA-2720x/12x-02-1/Z	\$234	HS-2720x/12x-02-1/Z	\$413
HA-2720x/12x-03-1/Z	\$293	HS-2720x/12x-03-1/Z	\$576
HA-2720x/12x-04-1/Z	\$380	HS-2720x/12x-04-1/Z	\$808
HA-2720x/12x-05-1/Z	\$421	HS-2720x/12x-05-1/Z	\$964
HA-2720x/12x-06-1/Z	\$499	HS-2720x/12x-06-1/Z	\$1,142
HA-2720x/12x-07-1/Z	\$549	HS-2720x/12x-07-1/Z	\$1,256

1 1/4" NPT (#20 SAE) End Ports w / 1" NPT (#16 SAE) Side Ports

Aluminum / 270 Degree		Steel / 270 Degree	
HA-2720x/16x-02-1/Z	\$212	HS-2720x/16x-02-1/Z	\$376
HA-2720x/16x-03-1/Z	\$266	HS-2720x/16x-03-1/Z	\$523
HA-2720x/16x-04-1/Z	\$346	HS-2720x/16x-04-1/Z	\$734
HA-2720x/16x-05-1/Z	\$383	HS-2720x/16x-05-1/Z	\$876
HA-2720x/16x-06-1/Z	\$454	HS-2720x/16x-06-1/Z	\$1,038

1 1/4" NPT (#20 SAE) End Ports w / 1 1/4" NPT (#20 SAE) Side Ports

Aluminum / 270 Degree		Steel / 270 Degree	
HA-2720x/20x-02-1/Z	\$234	HS-2720x/20x-02-1/Z	\$413
HA-2720x/20x-03-1/Z	\$293	HS-2720x/20x-03-1/Z	\$576
HA-2720x/20x-04-1/Z	\$380	HS-2720x/20x-04-1/Z	\$808
HA-2720x/20x-05-1/Z	\$421	HS-2720x/20x-05-1/Z	\$964

1 1/2" NPT (#24 SAE) End Ports w / 1" NPT (#16 SAE) Side Ports

Aluminum / 270 Degree		Steel / 270 Degree	
HA-2724x/16x-02-1/Z	\$345	HS-2724x/16x-02-1/Z	\$590
HA-2724x/16x-03-1/Z	\$389	HS-2724x/16x-03-1/Z	\$738
HA-2724x/16x-04-1/Z	\$492	HS-2724x/16x-04-1/Z	\$1,023
HA-2724x/16x-05-1/Z	\$558	HS-2724x/16x-05-1/Z	\$1,257
HA-2724x/16x-06-1/Z	\$614	HS-2724x/16x-06-1/Z	\$1,382

* Please Note: Header Bar Manifolds are Non-Returnable

Note: x - End & Side Port Thread Code

P - NPT Threads

S - SAE Threads

BSPP, BSPT and Metric threads are also available, consult factory for price.

"Standard" Port Sizes and combinations are shown. Header Manifolds with "Non-Standard" Port Sizes or combinations are available - Request Quote.

Header Bar Manifolds* with NPT & SAE Ports - 270 Degree



1 1/2" NPT (#24 SAE) End Ports w / 1 1/4" NPT (#20 SAE) Side Ports

Aluminum / 270 Degree		Steel / 270 Degree	
HA-2724x/20x-02-1/Z	\$313	HS-2724x/20x-02-1/Z	\$536
HA-2724x/20x-03-1/Z	\$354	HS-2724x/20x-03-1/Z	\$671
HA-2724x/20x-04-1/Z	\$448	HS-2724x/20x-04-1/Z	\$930
HA-2724x/20x-05-1/Z	\$508	HS-2724x/20x-05-1/Z	\$1,142

1 1/2" NPT (#24 SAE) End Ports w / 1 1/2" NPT (#24 SAE) Side Ports

Aluminum / 270 Degree		Steel / 270 Degree	
HA-2724x/24x-02-1/Z	\$345	HS-2724x/24x-02-1/Z	\$590
HA-2724x/24x-03-1/Z	\$389	HS-2724x/24x-03-1/Z	\$792
HA-2724x/24x-04-1/Z	\$492	HS-2724x/24x-04-1/Z	\$1,023

#32 SAE End Ports w / 1 1/2" NPT (#24 SAE) Side Ports

Aluminum / 270 Degree		Steel / 270 Degree	
HA-2732S/24x-02-1/Z	\$364	HS-2732S/24x-02-1/Z	\$758
HA-2732S/24x-03-1/Z	\$520	HS-2732S/24x-03-1/Z	\$995
HA-2732S/24x-04-1/Z	\$620	HS-2732S/24x-04-1/Z	\$1,369

2" NPT End Ports w / 1 1/2" NPT (#24 SAE) Side Ports

Aluminum / 270 Degree		Steel / 270 Degree	
HA-2732P/24x-02-1/Z	\$364	HS-2732P/24x-02-1/Z	\$758
HA-2732P/24x-03-1/Z	\$520	HS-2732P/24x-03-1/Z	\$995
HA-2732P/24x-04-1/Z	\$620	HS-2732P/24x-04-1/Z	\$1,369

* Please Note: Header Bar Manifolds are Non-Returnable

Note: x - End & Side Port Thread Code

P - NPT Threads

S - SAE Threads

BSPP, BSPT and Metric threads are also available,
consult factory for price.

"Standard" Port Sizes and combinations are shown. Header Manifolds with "Non-Standard" Port Sizes or combinations are available - Request Quote.



Junction Bar Manifolds* with NPT & SAE Ports - 90 Degree

1/16" NPT Side Ports

Aluminum / 90 Degree		Steel / 90 Degree	
JA-09000/01P-02-1/Z	\$49.00	JS-09000/01P-02-1/Z	\$157.00
JA-09000/01P-03-1/Z	\$63.00	JS-09000/01P-03-1/Z	\$188.00
JA-09000/01P-04-1/Z	\$78.00	JS-09000/01P-04-1/Z	\$229.00
JA-09000/01P-05-1/Z	\$89.00	JS-09000/01P-05-1/Z	\$254.00
JA-09000/01P-06-1/Z	\$98.00	JS-09000/01P-06-1/Z	\$290.00
JA-09000/01P-07-1/Z	\$123.00	JS-09000/01P-07-1/Z	\$319.00
JA-09000/01P-08-1/Z	\$134.00	JS-09000/01P-08-1/Z	\$367.00
JA-09000/01P-09-1/Z	\$153.00	JS-09000/01P-09-1/Z	\$404.00
JA-09000/01P-10-1/Z	\$184.00	JS-09000/01P-10-1/Z	\$462.00

1/8" NPT Side Ports

Aluminum / 90 Degree		Aluminum / 90 Degree	
JA-09000/02P-02-1/Z	\$49.00	JS-09000/02P-02-1/Z	\$157.00
JA-09000/02P-03-1/Z	\$63.00	JS-09000/02P-03-1/Z	\$188.00
JA-09000/02P-04-1/Z	\$78.00	JS-09000/02P-04-1/Z	\$229.00
JA-09000/02P-05-1/Z	\$89.00	JS-09000/02P-05-1/Z	\$254.00
JA-09000/02P-06-1/Z	\$98.00	JS-09000/02P-06-1/Z	\$290.00
JA-09000/02P-07-1/Z	\$123.00	JS-09000/02P-07-1/Z	\$319.00
JA-09000/02P-08-1/Z	\$134.00	JS-09000/02P-08-1/Z	\$367.00
JA-09000/02P-09-1/Z	\$153.00	JS-09000/02P-09-1/Z	\$404.00
JA-09000/02P-10-1/Z	\$184.00	JS-09000/02P-10-1/Z	\$462.00

1/4" NPT (#4 SAE) Side Ports

Aluminum / 90 Degree		Steel / 90 Degree	
JA-09000/04x-02-1/Z	\$49.00	JS-09000/04x-02-1/Z	\$157.00
JA-09000/04x-03-1/Z	\$63.00	JS-09000/04x-03-1/Z	\$188.00
JA-09000/04x-04-1/Z	\$78.00	JS-09000/04x-04-1/Z	\$229.00
JA-09000/04x-05-1/Z	\$89.00	JS-09000/04x-05-1/Z	\$254.00
JA-09000/04x-06-1/Z	\$98.00	JS-09000/04x-06-1/Z	\$290.00
JA-09000/04x-07-1/Z	\$123.00	JS-09000/04x-07-1/Z	\$319.00
JA-09000/04x-08-1/Z	\$134.00	JS-09000/04x-08-1/Z	\$367.00
JA-09000/04x-09-1/Z	\$153.00	JS-09000/04x-09-1/Z	\$404.00
JA-09000/04x-10-1/Z	\$184.00	JS-09000/04x-10-1/Z	\$462.00

3/8" NPT (#6 SAE) Side Ports

Aluminum / 90 Degree		Aluminum / 90 Degree	
JA-09000/06x-02-1/Z	\$54.00	JS-09000/06x-02-1/Z	\$169.00
JA-09000/06x-03-1/Z	\$83.00	JS-09000/06x-03-1/Z	\$212.00
JA-09000/06x-04-1/Z	\$96.00	JS-09000/06x-04-1/Z	\$252.00
JA-09000/06x-05-1/Z	\$105.00	JS-09000/06x-05-1/Z	\$271.00
JA-09000/06x-06-1/Z	\$123.00	JS-09000/06x-06-1/Z	\$301.00
JA-09000/06x-07-1/Z	\$132.00	JS-09000/06x-07-1/Z	\$338.00
JA-09000/06x-08-1/Z	\$161.00	JS-09000/06x-08-1/Z	\$374.00
JA-09000/06x-09-1/Z	\$179.00	JS-09000/06x-09-1/Z	\$423.00
JA-09000/06x-10-1/Z	\$204.00	JS-09000/06x-10-1/Z	\$469.00

1/2" NPT (#8 SAE) Side Ports

Aluminum / 90 Degree		Steel / 90 Degree	
JA-09000/08x-02-1/Z	\$59.00	JS-09000/08x-02-1/Z	\$180.00
JA-09000/08x-03-1/Z	\$94.00	JS-09000/08x-03-1/Z	\$217.00
JA-09000/08x-04-1/Z	\$103.00	JS-09000/08x-04-1/Z	\$267.00
JA-09000/08x-05-1/Z	\$125.00	JS-09000/08x-05-1/Z	\$301.00
JA-09000/08x-06-1/Z	\$140.00	JS-09000/08x-06-1/Z	\$338.00
JA-09000/08x-07-1/Z	\$164.00	JS-09000/08x-07-1/Z	\$374.00
JA-09000/08x-08-1/Z	\$197.00	JS-09000/08x-08-1/Z	\$411.00
JA-09000/08x-09-1/Z	\$207.00	JS-09000/08x-09-1/Z	\$460.00

3/4" NPT (#12 SAE) Side Ports

Aluminum / 90 Degree		Aluminum / 90 Degree	
JA-09000/12x-02-1/Z	\$87.00	JS-09000/12x-02-1/Z	\$199.00
JA-09000/12x-03-1/Z	\$146.00	JS-09000/12x-03-1/Z	\$261.00
JA-09000/12x-04-1/Z	\$161.00	JS-09000/12x-04-1/Z	\$328.00
JA-09000/12x-05-1/Z	\$194.00	JS-09000/12x-05-1/Z	\$385.00
JA-09000/12x-06-1/Z	\$204.00	JS-09000/12x-06-1/Z	\$447.00
JA-09000/12x-07-1/Z	\$267.00	JS-09000/12x-07-1/Z	\$514.00

1" NPT (#16 SAE) Side Ports

Aluminum / 90 Degree		Steel / 90 Degree	
JA-09000/16x-02-1/Z	\$108.00	JS-09000/16x-02-1/Z	\$224.00
JA-09000/16x-03-1/Z	\$183.00	JS-09000/16x-03-1/Z	\$315.00
JA-09000/16x-04-1/Z	\$223.00	JS-09000/16x-04-1/Z	\$408.00
JA-09000/16x-05-1/Z	\$247.00	JS-09000/16x-05-1/Z	\$494.00
JA-09000/16x-06-1/Z	\$286.00	JS-09000/16x-06-1/Z	\$579.00

* Please Note: Junction Bar Manifolds are Non-Returnable

Note: x - End & Side Port Thread Code

P - NPT Threads

S - SAE Threads

BSPP, BSPT and Metric threads are also available, consult factory for price.

"Standard" Port Sizes and combinations are shown. Junction Manifolds with "Non-Standard" Port Sizes or combinations are available - Request Quote.

Junction Bar Manifolds* with NPT & SAE Ports - 90 Degree



1 1/2" NPT (#24 SAE) Side Ports

Aluminum / 90 Degree		Steel / 90 Degree	
JA-09000/24x-02-1/Z	\$247.00	JS-09000/24x-02-1/Z	\$433.00
JA-09000/24x-03-1/Z	\$353.00	JS-09000/24x-03-1/Z	\$621.00
JA-09000/24x-04-1/Z	\$756.00	JS-09000/24x-04-1/Z	\$789.00

1 1/4" NPT (#20 SAE) Side Ports

Aluminum / 90 Degree		Aluminum / 90 Degree	
JA-09000/20x-02-1/Z	\$181.00	JS-09000/20x-02-1/Z	\$313.00
JA-09000/20x-03-1/Z	\$248.00	JS-09000/20x-03-1/Z	\$421.00
JA-09000/20x-04-1/Z	\$318.00	JS-09000/20x-04-1/Z	\$555.00
JA-09000/20x-05-1/Z	\$357.00	JS-09000/20x-05-1/Z	\$667.00

* Please Note: Junction Bar Manifolds are Non-Returnable

Note: x - End & Side Port Thread Code

P - NPT Threads

S - SAE Threads

BSPP, BSPT and Metric threads are also available,
consult factory for price.

"Standard" Port Sizes and combinations are shown. Junction Manifolds with "Non-Standard" Port Sizes or combinations are available - Request Quote.



Junction Bar Manifolds* with NPT & SAE Ports - 180 Degree

1/16" NPT Side Ports

Aluminum / 180 Degree		Steel / 180 Degree	
JA-18000/01P-02-1/Z	\$55.00	JS-18000/01P-02-1/Z	\$180.00
JA-18000/01P-03-1/Z	\$63.00	JS-18000/01P-03-1/Z	\$212.00
JA-18000/01P-04-1/Z	\$66.00	JS-18000/01P-04-1/Z	\$252.00
JA-18000/01P-05-1/Z	\$89.00	JS-18000/01P-05-1/Z	\$271.00
JA-18000/01P-06-1/Z	\$100.00	JS-18000/01P-06-1/Z	\$309.00
JA-18000/01P-07-1/Z	\$112.00	JS-18000/01P-07-1/Z	\$357.00
JA-18000/01P-08-1/Z	\$127.00	JS-18000/01P-08-1/Z	\$422.00
JA-18000/01P-09-1/Z	\$141.00	JS-18000/01P-09-1/Z	\$450.00
JA-18000/01P-10-1/Z	\$165.00	JS-18000/01P-10-1/Z	\$487.00

1/8" NPT Side Ports

Aluminum / 180 Degree		Steel / 180 Degree	
JA-18000/02P-02-1/Z	\$55.00	JS-18000/02P-02-1/Z	\$180.00
JA-18000/02P-03-1/Z	\$63.00	JS-18000/02P-03-1/Z	\$212.00
JA-18000/02P-04-1/Z	\$66.00	JS-18000/02P-04-1/Z	\$252.00
JA-18000/02P-05-1/Z	\$89.00	JS-18000/02P-05-1/Z	\$271.00
JA-18000/02P-06-1/Z	\$100.00	JS-18000/02P-06-1/Z	\$309.00
JA-18000/02P-07-1/Z	\$112.00	JS-18000/02P-07-1/Z	\$357.00
JA-18000/02P-08-1/Z	\$127.00	JS-18000/02P-08-1/Z	\$422.00
JA-18000/02P-09-1/Z	\$141.00	JS-18000/02P-09-1/Z	\$450.00
JA-18000/02P-10-1/Z	\$165.00	JS-18000/02P-10-1/Z	\$487.00

1/4" NPT (#4 SAE) Side Ports

Aluminum / 180 Degree		Steel / 180 Degree	
JA-18000/04x-02-1/Z	\$55.00	JS-18000/04x-02-1/Z	\$180.00
JA-18000/04x-03-1/Z	\$63.00	JS-18000/04x-03-1/Z	\$212.00
JA-18000/04x-04-1/Z	\$66.00	JS-18000/04x-04-1/Z	\$252.00
JA-18000/04x-05-1/Z	\$89.00	JS-18000/04x-05-1/Z	\$271.00
JA-18000/04x-06-1/Z	\$100.00	JS-18000/04x-06-1/Z	\$309.00
JA-18000/04x-07-1/Z	\$112.00	JS-18000/04x-07-1/Z	\$357.00
JA-18000/04x-08-1/Z	\$127.00	JS-18000/04x-08-1/Z	\$422.00
JA-18000/04x-09-1/Z	\$141.00	JS-18000/04x-09-1/Z	\$450.00
JA-18000/04x-10-1/Z	\$165.00	JS-18000/04x-10-1/Z	\$487.00

3/8" NPT (#6 SAE) Side Ports

Aluminum / 180 Degree		Steel / 180 Degree	
JA-18000/06x-02-1/Z	\$55.00	JS-18000/06x-02-1/Z	\$180.00
JA-18000/06x-03-1/Z	\$63.00	JS-18000/06x-03-1/Z	\$229.00
JA-18000/06x-04-1/Z	\$76.00	JS-18000/06x-04-1/Z	\$261.00
JA-18000/06x-05-1/Z	\$97.00	JS-18000/06x-05-1/Z	\$292.00
JA-18000/06x-06-1/Z	\$106.00	JS-18000/06x-06-1/Z	\$319.00
JA-18000/06x-07-1/Z	\$118.00	JS-18000/06x-07-1/Z	\$374.00
JA-18000/06x-08-1/Z	\$147.00	JS-18000/06x-08-1/Z	\$432.00
JA-18000/06x-09-1/Z	\$163.00	JS-18000/06x-09-1/Z	\$469.00
JA-18000/06x-10-1/Z	\$180.00	JS-18000/06x-10-1/Z	\$507.00

1/2" NPT (#8 SAE) Side Ports

Aluminum / 180 Degree		Steel / 180 Degree	
JA-18000/08x-02-1/Z	\$58.00	JS-18000/08x-02-1/Z	\$196.00
JA-18000/08x-03-1/Z	\$78.00	JS-18000/08x-03-1/Z	\$241.00
JA-18000/08x-04-1/Z	\$98.00	JS-18000/08x-04-1/Z	\$278.00
JA-18000/08x-05-1/Z	\$123.00	JS-18000/08x-05-1/Z	\$300.00
JA-18000/08x-06-1/Z	\$136.00	JS-18000/08x-06-1/Z	\$354.00
JA-18000/08x-07-1/Z	\$161.00	JS-18000/08x-07-1/Z	\$393.00
JA-18000/08x-08-1/Z	\$188.00	JS-18000/08x-08-1/Z	\$447.00
JA-18000/08x-09-1/Z	\$196.00	JS-18000/08x-09-1/Z	\$531.00

3/4" NPT (#12 SAE) Side Ports

Aluminum / 180 Degree		Steel / 180 Degree	
JA-18000/12x-02-1/Z	\$92.00	JS-18000/12x-02-1/Z	\$219.00
JA-18000/12x-03-1/Z	\$133.00	JS-18000/12x-03-1/Z	\$279.00
JA-18000/12x-04-1/Z	\$152.00	JS-18000/12x-04-1/Z	\$363.00
JA-18000/12x-05-1/Z	\$184.00	JS-18000/12x-05-1/Z	\$410.00
JA-18000/12x-06-1/Z	\$218.00	JS-18000/12x-06-1/Z	\$459.00
JA-18000/12x-07-1/Z	\$250.00	JS-18000/12x-07-1/Z	\$524.00

1" NPT (#16 SAE) Side Ports

Aluminum / 180 Degree		Steel / 180 Degree	
JA-18000/16x-02-1/Z	\$112.00	JS-18000/16x-02-1/Z	\$243.00
JA-18000/16x-03-1/Z	\$165.00	JS-18000/16x-03-1/Z	\$321.00
JA-18000/16x-04-1/Z	\$215.00	JS-18000/16x-04-1/Z	\$418.00
JA-18000/16x-05-1/Z	\$239.00	JS-18000/16x-05-1/Z	\$494.00
JA-18000/16x-06-1/Z	\$301.00	JS-18000/16x-06-1/Z	\$579.00

* Please Note: Junction Bar Manifolds are Non-Returnable

Note: x - End & Side Port Thread Code

P - NPT Threads

S - SAE Threads

BSPP, BSPT and Metric threads are also available, consult factory for price.

"Standard" Port Sizes and combinations are shown. Junction Manifolds with "Non-Standard" Port Sizes or combinations are available - Request Quote.

Junction Bar Manifolds* with NPT & SAE Ports - 180 Degree



1 1/2" NPT (#24 SAE) Side Ports

Aluminum / 180 Degree		Steel / 180 Degree	
JA-18000/24x-02-1/Z	\$247.00	JS-18000/24x-02-1/Z	\$444.00
JA-18000/24x-03-1/Z	\$294.00	JS-18000/24x-03-1/Z	\$540.00
JA-18000/24x-04-1/Z	\$379.00	JS-18000/24x-04-1/Z	\$789.00

1 1/4" NPT (#20 SAE) Side Ports

Aluminum / 180 Degree		Steel / 180 Degree	
JA-18000/20x-02-1/Z	\$179.00	JS-18000/20x-02-1/Z	\$338.00
JA-18000/20x-03-1/Z	\$228.00	JS-18000/20x-03-1/Z	\$433.00
JA-18000/20x-04-1/Z	\$290.00	JS-18000/20x-04-1/Z	\$555.00
JA-18000/20x-05-1/Z	\$326.00	JS-18000/20x-05-1/Z	\$679.00

* Please Note: Junction Bar Manifolds are Non-Returnable

Note: x - End & Side Port Thread Code

P - NPT Threads

S - SAE Threads

BSPP, BSPT and Metric threads are also available,
consult factory for price.

"Standard" Port Sizes and combinations are shown. Junction Manifolds with "Non-Standard" Port Sizes or combinations are available - Request Quote.



Junction Bar Manifolds* with NPT & SAE Ports - 270 Degree

1/16" NPT Side Ports

Aluminum / 270 Degree		Steel / 270 Degree	
JA-27000/01P-02-1/Z	\$65.00	JS-27000/01P-02-1/Z	\$194.00
JA-27000/01P-03-1/Z	\$78.00	JS-27000/01P-03-1/Z	\$267.00
JA-27000/01P-04-1/Z	\$92.00	JS-27000/01P-04-1/Z	\$309.00
JA-27000/01P-05-1/Z	\$109.00	JS-27000/01P-05-1/Z	\$319.00
JA-27000/01P-06-1/Z	\$126.00	JS-27000/01P-06-1/Z	\$348.00
JA-27000/01P-07-1/Z	\$144.00	JS-27000/01P-07-1/Z	\$397.00
JA-27000/01P-08-1/Z	\$161.00	JS-27000/01P-08-1/Z	\$444.00
JA-27000/01P-09-1/Z	\$175.00	JS-27000/01P-09-1/Z	\$478.00
JA-27000/01P-10-1/Z	\$188.00	JS-27000/01P-10-1/Z	\$537.00

1/8" NPT Side Ports

Aluminum / 270 Degree		Steel / 270 Degree	
JA-27000/02P-02-1/Z	\$65.00	JS-27000/02P-02-1/Z	\$194.00
JA-27000/02P-03-1/Z	\$78.00	JS-27000/02P-03-1/Z	\$267.00
JA-27000/02P-04-1/Z	\$92.00	JS-27000/02P-04-1/Z	\$309.00
JA-27000/02P-05-1/Z	\$109.00	JS-27000/02P-05-1/Z	\$319.00
JA-27000/02P-06-1/Z	\$126.00	JS-27000/02P-06-1/Z	\$348.00
JA-27000/02P-07-1/Z	\$144.00	JS-27000/02P-07-1/Z	\$397.00
JA-27000/02P-08-1/Z	\$161.00	JS-27000/02P-08-1/Z	\$444.00
JA-27000/02P-09-1/Z	\$175.00	JS-27000/02P-09-1/Z	\$478.00
JA-27000/02P-10-1/Z	\$188.00	JS-27000/02P-10-1/Z	\$537.00

1/4" NPT (#4 SAE) Side Ports

Aluminum / 270 Degree		Steel / 270 Degree	
JA-27000/04x-02-1/Z	\$65.00	JS-27000/04x-02-1/Z	\$194.00
JA-27000/04x-03-1/Z	\$78.00	JS-27000/04x-03-1/Z	\$267.00
JA-27000/04x-04-1/Z	\$92.00	JS-27000/04x-04-1/Z	\$309.00
JA-27000/04x-05-1/Z	\$109.00	JS-27000/04x-05-1/Z	\$319.00
JA-27000/04x-06-1/Z	\$126.00	JS-27000/04x-06-1/Z	\$348.00
JA-27000/04x-07-1/Z	\$144.00	JS-27000/04x-07-1/Z	\$397.00
JA-27000/04x-08-1/Z	\$161.00	JS-27000/04x-08-1/Z	\$444.00
JA-27000/04x-09-1/Z	\$175.00	JS-27000/04x-09-1/Z	\$478.00
JA-27000/04x-10-1/Z	\$188.00	JS-27000/04x-10-1/Z	\$537.00

3/8" NPT (#6 SAE) Side Ports

Aluminum / 270 Degree		Steel / 270 Degree	
JA-27000/06x-02-1/Z	\$68.00	JS-27000/06x-02-1/Z	\$212.00
JA-27000/06x-03-1/Z	\$94.00	JS-27000/06x-03-1/Z	\$283.00
JA-27000/06x-04-1/Z	\$103.00	JS-27000/06x-04-1/Z	\$327.00
JA-27000/06x-05-1/Z	\$113.00	JS-27000/06x-05-1/Z	\$348.00
JA-27000/06x-06-1/Z	\$132.00	JS-27000/06x-06-1/Z	\$367.00
JA-27000/06x-07-1/Z	\$152.00	JS-27000/06x-07-1/Z	\$404.00
JA-27000/06x-08-1/Z	\$174.00	JS-27000/06x-08-1/Z	\$462.00
JA-27000/06x-09-1/Z	\$192.00	JS-27000/06x-09-1/Z	\$499.00
JA-27000/06x-10-1/Z	\$205.00	JS-27000/06x-10-1/Z	\$544.00

1/2" NPT (#8 SAE) Side Ports

Aluminum / 270 Degree		Steel / 270 Degree	
JA-27000/08x-02-1/Z	\$74.00	JS-27000/08x-02-1/Z	\$229.00
JA-27000/08x-03-1/Z	\$101.00	JS-27000/08x-03-1/Z	\$309.00
JA-27000/08x-04-1/Z	\$112.00	JS-27000/08x-04-1/Z	\$338.00
JA-27000/08x-05-1/Z	\$141.00	JS-27000/08x-05-1/Z	\$367.00
JA-27000/08x-06-1/Z	\$163.00	JS-27000/08x-06-1/Z	\$394.00
JA-27000/08x-07-1/Z	\$196.00	JS-27000/08x-07-1/Z	\$450.00
JA-27000/08x-08-1/Z	\$209.00	JS-27000/08x-08-1/Z	\$507.00
JA-27000/08x-09-1/Z	\$224.00	JS-27000/08x-09-1/Z	\$561.00

3/4" NPT (#12 SAE) Side Ports

Aluminum / 270 Degree		Steel / 270 Degree	
JA-27000/12x-02-1/Z	\$99.00	JS-27000/12x-02-1/Z	\$250.00
JA-27000/12x-03-1/Z	\$136.00	JS-27000/12x-03-1/Z	\$338.00
JA-27000/12x-04-1/Z	\$174.00	JS-27000/12x-04-1/Z	\$412.00
JA-27000/12x-05-1/Z	\$210.00	JS-27000/12x-05-1/Z	\$487.00
JA-27000/12x-06-1/Z	\$246.00	JS-27000/12x-06-1/Z	\$574.00
JA-27000/12x-07-1/Z	\$284.00	JS-27000/12x-07-1/Z	\$657.00

1" NPT (#16 SAE) Side Ports

Aluminum / 270 Degree		Steel / 270 Degree	
JA-27000/16x-02-1/Z	\$125.00	JS-27000/16x-02-1/Z	\$291.00
JA-27000/16x-03-1/Z	\$170.00	JS-27000/16x-03-1/Z	\$405.00
JA-27000/16x-04-1/Z	\$238.00	JS-27000/16x-04-1/Z	\$465.00
JA-27000/16x-05-1/Z	\$266.00	JS-27000/16x-05-1/Z	\$561.00
JA-27000/16x-06-1/Z	\$310.00	JS-27000/16x-06-1/Z	\$670.00

* Please Note: Junction Bar Manifolds are Non-Returnable

Note: x - End & Side Port Thread Code

P - NPT Threads

S - SAE Threads

BSPP, BSPT and Metric threads are also available, consult factory for price.

"Standard" Port Sizes and combinations are shown. Junction Manifolds with "Non-Standard" Port Sizes or combinations are available - Request Quote.

Junction Bar Manifolds* with NPT & SAE Ports - 270 Degree



1 1/2" NPT (#24 SAE) Side Ports

Aluminum / 270 Degree		Steel / 270 Degree	
JA-27000/24x-02-1/Z	\$228.00	JS-27000/24x-02-1/Z	\$465.00
JA-27000/24x-03-1/Z	\$314.00	JS-27000/24x-03-1/Z	\$579.00
JA-27000/24x-04-1/Z	\$407.00	JS-27000/24x-04-1/Z	\$847.00

1 1/4" NPT (#20 SAE) Side Ports

Aluminum / 270 Degree		Steel / 270 Degree	
JA-27000/20x-02-1/Z	\$165.00	JS-27000/20x-02-1/Z	\$350.00
JA-27000/20x-03-1/Z	\$232.00	JS-27000/20x-03-1/Z	\$472.00
JA-27000/20x-04-1/Z	\$323.00	JS-27000/20x-04-1/Z	\$604.00
JA-27000/20x-05-1/Z	\$355.00	JS-27000/20x-05-1/Z	\$739.00

* Please Note: Junction Bar Manifolds are Non-Returnable

Note: x - End & Side Port Thread Code

P - NPT Threads

S - SAE Threads

BSPP, BSPT and Metric threads are also available,
consult factory for price.

"Standard" Port Sizes and combinations are shown. Junction Manifolds with "Non-Standard" Port Sizes or combinations are available - Request Quote.

Vertical Style Reservoirs

Vertical Econo RVP Series Reservoirs				
Part Number	Gallon Cap.	Description	Approx Weight	List Price
RVP02	2	Tank w/o Cover	18#	\$203.00
RVP03	3	Tank w/o Cover	23#	\$201.00
RVP05	5	Tank w/o Cover	28#	\$243.00
RVP08	8	Tank w/o Cover	45#	\$373.00
RVP10	10	Tank w/o Cover	57#	\$391.00
RVP14	14	Tank w/o Cover	65#	\$440.00
RVP20	20	Tank w/o Cover	80#	\$518.00
RVP25	25	Tank w/o Cover	94#	\$655.00

Vertical RVS Series Reservoirs				
Part Number	Gallon Cap.	Description	Approx Weight	List Price
RVS05-1	5	Tank w/o Cover	30#	\$227.00
RVS10A-1	10	Tank w/o Cover	45#	\$275.00
RVS10B-2	10	Tank w/o Cover	50#	\$277.00
RVS10-2	10	Tank w/o Cover	65#	\$277.00
RVS20-2	20	Tank w/o Cover	65#	\$337.00
RVS20-3	20	Tank w/o Cover	80#	\$349.00
RVS30-2	30	Tank w/o Cover	85#	\$367.00
RVS30-3	30	Tank w/o Cover	100#	\$409.00
RVS40-3	40	Tank w/o Cover	120#	\$468.00

Dual Vertical RVS Series Reservoirs				
Part Number	Gallon Cap.	Description	Approx Weight	List Price
RDVS40-2	40	Tank w/o Cover	128#	\$877.00
RDVS60-2	60	Tank w/o Cover	179#	\$1,071.00
RDVS50-3	50	Tank w/o Cover	135#	\$887.00
RDVS60-3	60	Tank w/o Cover	154#	\$998.00

Vertical Econo RVP Series Reservoir Tops			
Part Number	Description	Approx Weight	List Price
RVPT-1	Cover w/Mtg Holes Only	5#	\$46.00
RVPT-2	Cover with 1/2" NPT Filler Breather Cutout	5#	\$57.00
RVPT-3	Cover with 1/2" NPT Filler Breather Cutout & 056C Mount Cutout	4#	\$68.00
RVPT-4	Cover with 1/2" NPT Filler Breather Cutout, 056C Mount Cutout & 1/2" NPT Full Coupling	4#	\$98.00

Vertical RVS Series Reservoir Tops			
Part Number	Description	Approx Weight	List Price
RVS1-T-1	Cover w/Mtg Holes Only		\$37.00
RVS1-T-2	Cover w/Filler Breather Cutout		\$63.00
RVS1-T-3/*	Cover w/Filler Breather Cutout & Mount Cutout A or B *		\$92.00
RVS1-T-4/*	Cover w/Filler Breather Cutout & Mount Cutout C *		\$92.00
RVS2-T-1	Cover w/Mtg Holes Only		\$52.00
RVS2-T-2	Cover w/Filler Breather Cutout		\$78.00
RVS2-T-3/*	Cover w/Filler Breather Cutout & Mount Cutout A or B *		\$106.00
RVS2-T-4/*	Cover w/Filler Breather Cutout & Mount Cutout C or D *		\$106.00
RVS3-T-1	Cover w/Mtg Holes Only		\$58.00
RVS3-T-2	Cover w/Filler Breather Cutout		\$86.00
RVS3-T-3/*	Cover w/Filler Breather Cutout & Mount Cutout A or B *		\$113.00
RVS3-T-4/*	Cover w/Filler Breather Cutout & Mount Cutout C or D *		\$113.00

* Mount Cutout Code M, see our Product Catalog, page 123.

A = 056 Vertical Mounting Option A

B = 056 Vertical Mounting Option B

C = 182 Vertical Mounting Option A

D = 182 Vertical Mounting Option B Add'l details in Pump/Motor Mount Catalog.

Reservoirs



JIC Style Reservoirs

RJIC**-FT (fixed top) Series Reservoirs				
Part Number	Gallon Cap.	Description	Approx Weight	List Price
RJIC010-FT	10	JIC Welded Top	80#	\$798.00
RJIC015-FT	15	JIC Welded Top	105#	\$805.00
RJIC020-FT	20	JIC Welded Top	125#	\$835.00
RJIC030-FT	30	JIC Welded Top	180#	\$871.00
RJIC040-FT	40	JIC Welded Top	190#	\$991.00
RJIC050-FT	50	JIC Welded Top	200#	\$1,115.00
RJIC060-FT	60	JIC Welded Top	240#	\$1,198.00
RJIC080-FT	80	JIC Welded Top	365#	\$1,430.00
RJIC100-FT	100	JIC Welded Top	375#	\$1,551.00
RJIC120-FT	120	JIC Welded Top	510#	\$1,852.00
RJIC150-FT	150	JIC Welded Top	525#	\$2,038.00
RJIC200-FT	200	JIC Welded Top	770#	\$2,386.00

JIC Reservoirs	
Part Number	List Price
RJIC010-RT	\$1,102.00
RJIC015-RT	\$1,110.00
RJIC020-RT	\$1,145.00
RJIC030-RT	\$1,181.00
RJIC040-RT	\$1,301.00
RJIC050-RT	\$1,425.00
RJIC060-RT	\$1,508.00
RJIC080-RT	\$1,740.00
RJIC100-RT	\$1,861.00
RJIC120-RT	\$2,162.00
RJIC150-RT	\$2,838.00
RJIC200-RT	\$3,186.00

JIC Reservoirs	
Part Number	List Price
RJIC010-RB	\$1,102.00
RJIC015-RB	\$1,110.00
RJIC020-RB	\$1,145.00
RJIC030-RB	\$1,181.00
RJIC040-RB	\$1,301.00
RJIC050-RB	\$1,425.00
RJIC060-RB	\$1,508.00
RJIC080-RB	\$1,740.00
RJIC100-RB	\$1,861.00
RJIC120-RB	\$2,162.00
RJIC150-RB	\$2,838.00
RJIC200-RB	\$3,186.00

* See page 124 in our Product Catalog for information on Removable Top and Baffle Options

L Style Reservoirs

RLC**-FT (fixed top) Series Reservoirs				
Part Number	Gallon Cap.	Description	Approx Weight	List Price
RLC010-FT	10	"L" Welded Top	150#	\$1,214.00
RLC020-FT	20	"L" Welded Top	240#	\$1,352.00
RLC030-FT	30	"L" Welded Top	260#	\$1,417.00
RLC045-FT	45	"L" Welded Top	325#	\$1,644.00
RLC060-FT	60	"L" Welded Top	350#	\$1,741.00
RLC080-FT	80	"L" Welded Top	430#	\$2,372.00
RLC100-FT	100	"L" Welded Top	495#	\$2,558.00
RLC120-FT	120	"L" Welded Top	530#	\$2,647.00
RLC150-FT	150	"L" Welded Top	605#	\$3,141.00
RLC200-FT	200	"L" Welded Top	770#	\$3,319.00

RLP**-RT (removable top) Series Reservoirs				
Part Number	Gallon Cap.	Description	Approx Weight	List Price
RLP010-RT	10	"L" Bolted Top	150#	\$1,504.00
RLP020-RT	20	"L" Bolted Top	240#	\$1,408.00
RLP030-RT	30	"L" Bolted Top	260#	\$1,476.00
RLP045-RT	45	"L" Bolted Top	325#	\$1,712.00
RLP060-RT	60	"L" Bolted Top	350#	\$1,741.00
RLP080-RT	80	"L" Bolted Top	430#	\$2,372.00
RLP100-RT	100	"L" Bolted Top	495#	\$2,558.00
RLP120-RT	120	"L" Bolted Top	530#	\$2,647.00
RLP150-RT	150	"L" Bolted Top	605#	\$3,141.00
RLP200-RT	200	"L" Bolted Top	770#	\$3,319.00

L Style Reservoirs

RLP**-HT (hinged top) Series Reservoirs				
Part Number	Gallon Cap.	Description	Approx Weight	List Price
RLP010-HT	10	"L" Hinged Top	135#	\$843.00
RLP020-HT	20	"L" Hinged Top	185#	\$1,041.00
RLP030-HT	30	"L" Hinged Top	240#	\$1,335.00
RLP045-HT	45	"L" Hinged Top	335#	\$1,635.00
RLP060-HT	60	"L" Hinged Top	375#	\$1,648.00
RLP080-HT	80	"L" Hinged Top	670#	\$2,512.00
RLP100-HT	100	"L" Hinged Top	715#	\$2,566.00
RLP120-HT	120	"L" Hinged Top	835#	\$3,481.00
RLP150-HT	150	"L" Hinged Top	940#	\$3,643.00
RLP200-HT	200	"L" Hinged Top	1125#	\$4,047.00

RLP**-PHT (partial hinged top) Series Reservoirs				
Part Number	Gallon Cap.	Description	Approx Weight	List Price
RLP080-PHT	80	"L" Part.Hinged Top	575#	\$2,534.00
RLP100-PHT	100	"L" Part.Hinged Top	720#	\$2,712.00
RLP120-PHT	120	"L" Part.Hinged Top	845#	\$3,643.00
RLP150-PHT	150	"L" Part.Hinged Top	945#	\$3,846.00
RLP200-PHT	200	"L" Part.Hinged Top	1135#	\$4,250.00

T Style Reservoirs

RTP**-HT (hinged top) Series Reservoirs				
Part Number	Gallon Cap.	Description	Approx Weight	List Price
RTP010-HT	10	"T" Hinged Top	173#	\$1,483.00
RTP020-HT	20	"T" Hinged Top	231#	\$1,509.00
RTP030-HT	30	"T" Hinged Top	300#	\$2,028.00
RTP045-HT	45	"T" Hinged Top	415#	\$2,028.00
RTP060-HT	60	"T" Hinged Top	481#	\$2,265.00
RTP080-HT	80	"T" Hinged Top	874#	\$4,095.00
RTP100-HT	100	"T" Hinged Top	880#	\$4,281.00
RTP120-HT	120	"T" Hinged Top	1054#	\$5,794.00
RTP150-HT	150	"T" Hinged Top	1150#	\$6,033.00
RTP200-HT	200	"T" Hinged Top	1383#	\$7,176.00
RTP300-HT	300	"T" Hinged Top	1737#	\$8,620.00
RTP400-HT	400	"T" Hinged Top	1953#	\$10,788.00

RTP**-PHT (partial hinged top) Series Reservoirs				
Part Number	Gallon Cap.	Description	Approx Weight	List Price
RTP080-PHT	80	"T" Part.Hinged Top	811#	\$4,425.00
RTP100-PHT	100	"T" Part.Hinged Top	871#	\$4,611.00
RTP120-PHT	120	"T" Part.Hinged Top	1013#	\$6,124.00
RTP150-PHT	150	"T" Part.Hinged Top	1183#	\$6,363.00
RTP200-PHT	200	"T" Part.Hinged Top	1402#	\$7,506.00

Reservoirs & Drip Pans



Horizontal Style Reservoirs

RHC**-FT (fixed top) Series Reservoirs				
Part Number	Gallon Cap.	Description	Approx Weight	List Price
RHC010-FT	10	Welded Top	50#	\$442.00
RHC020-FT	20	Welded Top	80#	\$546.00
RHC030-FT	30	Welded Top	100#	\$683.00
RHC040-FT	40	Welded Top	130#	\$765.00
RHC060-FT	60	Welded Top	150#	\$838.00

RHP**-RT (removable top) Series Reservoirs				
Part Number	Gallon Cap.	Description	Approx Weight	List Price
RHP010-RT	10	Removable Top	70#	\$457.00
RHP020-RT	20	Removable Top	80#	\$546.00
RHP030-RT	30	Removable Top	110#	\$683.00
RHP040-RT	40	Removable Top	135#	\$765.00

DIN Style Reservoirs

RDIN***AFA (front access) A Type Reservoirs				
Part Number	Gallon Cap.	Description	Approx Weight	List Price
RDIN020-AFA	20	Front Access	125#	\$970.00
RDIN030-AFA	30	Front Access	170#	\$1,106.00
RDIN040-AFA	40	Front Access	230#	\$1,243.00
RDIN060-AFA	60	Front Access	300#	\$1,301.00
RDIN080-AFA	80	Front Access	370#	\$1,561.00
RDIN100-AFA	100	Front Access	400#	\$2,072.00
RDIN120-AFA	120	Front Access	550#	\$2,260.00
RDIN150-AFA	150	Front Access	670#	\$2,666.00
RDIN200-AFA	200	Front Access	970#	\$3,423.00
RDIN300-AFA	300	Front Access	1150#	\$3,900.00

RDIN***BSA (Side access) B Type Reservoirs				
Part Number	Gallon Cap.	Description	Approx Weight	List Price
RDIN020-BSA	20	Side Access	140#	\$1,135.00
RDIN030-BSA	30	Side Access	185#	\$1,210.00
RDIN040-BSA	40	Side Access	250#	\$1,248.00
RDIN060-BSA	60	Side Access	320#	\$1,776.00
RDIN080-BSA	80	Side Access	400#	\$1,778.00
RDIN100-BSA	100	Side Access	430#	\$1,896.00
RDIN120-BSA	120	Side Access	580#	\$1,943.00
RDIN150-BSA	150	Side Access	700#	\$2,107.00
RDIN200-BSA	200	Side Access	1030#	\$3,012.00
RDIN300-BSA	300	Side Access	1200#	\$3,288.00

RDIN***CFA (front access, low profile) C Type Reservoirs				
Part Number	Gallon Cap.	Description	Approx Weight	List Price
RDIN020-CFA	20	Front Access	120#	\$891.00
RDIN030-CFA	30	Front Access	160#	\$1,067.00
RDIN040-CFA	40	Front Access	190#	\$1,083.00
RDIN060-CFA	60	Front Access	220#	\$1,200.00
RDIN080-CFA	80	Front Access	290#	\$1,515.00
RDIN100-CFA	100	Front Access	350#	\$1,642.00
RDIN120-CFA	120	Front Access	530#	\$2,117.00
RDIN150-CFA	150	Front Access	630#	\$2,681.00
RDIN200-CFA	200	Front Access	930#	\$3,025.00

RDIN***DSA (Side access, low profile) D Type Reservoirs				
Part Number	Gallon Cap.	Description	Approx Weight	List Price
RDIN020-DSA	20	Side Access	125#	\$1,195.00
RDIN030-DSA	30	Side Access	170#	\$1,206.00
RDIN040-DSA	40	Side Access	210#	\$1,295.00
RDIN060-DSA	60	Side Access	240#	\$1,493.00
RDIN080-DSA	80	Side Access	310#	\$2,268.00
RDIN100-DSA	100	Side Access	380#	\$2,496.00
RDIN120-DSA	120	Side Access	570#	\$2,746.00
RDIN150-DSA	150	Side Access	670#	\$3,021.00
RDIN200-DSA	200	Side Access	990#	\$3,323.00

Drip Pans for RJIC Reservoirs

RJDPR** JIC Style Drip Pans w/Riser				
Part Number	Gallon Cap.	Description	Approx Weight	List Price
RJDPR010	10	Drip Pan w/Riser	70#	\$491.00
RJDPR015	15	Drip Pan w/Riser	70#	\$540.00
RJDPR020	20	Drip Pan w/Riser	80#	\$563.00
RJDPR030	30-50	Drip Pan w/Riser	105#	\$636.00
RJDPR060	60	Drip Pan w/Riser	130#	\$657.00
RJDPR080	80-100	Drip Pan w/Riser	145#	\$796.00
RJDPR120	120-150	Drip Pan w/Riser	160#	\$897.00
RJDPR200	200	Drip Pan w/Riser	200#	\$1,508.00

RJDPP** JIC Style Drip Pans w/out Riser				
Part Number	Gallon Cap.	Description	Approx Weight	List Price
RJDPP010	10	Drip Pan w/o Riser	40#	\$358.00
RJDPP015	15	Drip Pan w/o Riser	40#	\$367.00
RJDPP020	20	Drip Pan w/o Riser	50#	\$395.00
RJDPP030	30-50	Drip Pan w/o Riser	65#	\$426.00
RJDPP060	60	Drip Pan w/o Riser	85#	\$463.00
RJDPP080	80-100	Drip Pan w/o Riser	100#	\$525.00
RJDPP120	120-150	Drip Pan w/o Riser	110#	\$586.00
RJDPP200	200	Drip Pan w/o Riser	145#	\$774.00

Stacking Modules for RJIC Reservoirs

RJSM** JIC Style Stacking Modules				
Part Number	Gallon Cap.	Description	Approx Weight	List Price
RJSM010	10	Stacking Module	65#	\$1,018.00
RJSM015	15	Stacking Module	70#	\$1,045.00
RJSM020	20	Stacking Module	70#	\$1,045.00
RJSM030	30-50	Stacking Module	80#	\$1,098.00
RJSM060	60	Stacking Module	100#	\$1,248.00
RJSM080	80	Stacking Module	110#	\$1,263.00
RJSM100	100	Stacking Module	110#	\$1,270.00
RJSM120	120-150	Stacking Module	115#	\$1,278.00
RJSM200	200	Stacking Module	125#	\$1,806.00

End Covers



Reservoir End Covers

Part Number	Dia.	Description	List
6 Inch End Covers			
REC06K	6"	Cover Assembly	\$44.00
12 Inch End Covers			
REC12KX	12"	End Cover Kit w/o Drain	\$61.00
REC12KN	12"	End Cover Kit w/NPT Drain	\$81.00
REC12CX	12"	End Cover w/o Drain	\$46.00
REC12CN	12"	End Cover w/NPT Drain	\$66.00
REC12KS	12"	End Cover Kit w/SAE Drain	call
REC12CS	12"	End Cover w/SAE Drain	call
14 Inch End Covers			
REC14KX	14"	End Cover Kit w/o Drain	\$70.00
REC14KN	14"	End Cover Kit w/NPT Drain	\$89.00
REC14CX	14"	End Cover w/o Drain	\$55.00
REC14CN	14"	End Cover w/NPT Drain	\$79.00
REC14KS	14"	End Cover Kit w/SAE Drain	call
REC14CS	14"	End Cover w/SAE Drain	call

Part Number	Dia.	Description	List
16 Inch End Covers			
REC16KX	16"	End Cover Kit w/o Drain	\$90.00
REC16KN	16"	End Cover Kit w/NPT Drain	\$108.00
REC16CX	16"	End Cover w/o Drain	\$75.00
REC16CN	16"	End Cover w/NPT Drain	\$93.00
REC16KS	16"	End Cover Kit w/SAE Drain	call
REC16CS	16"	End Cover w/SAE Drain	call
18 Inch End Covers			
REC18KX	18"	End Cover Kit w/o Drain	\$106.00
REC18KN	18"	End Cover Kit w/NPT Drain	\$118.00
REC18CX	18"	End Cover w/o Drain	\$90.00
REC18CN	18"	End Cover w/NPT Drain	\$109.00
REC18KS	18"	End Cover Kit w/SAE Drain	call
REC18CS	18"	End Cover w/SAE Drain	call

DIN Reservoir End Covers

Part Number	Dia.	Description	List
REC-M350K	350mm (13.78")	4 Bolt Cover Kit w/nuts & washers	\$231.00
REC-M475K	475mm (18.70")	6 Bolt Cover Kit w/nuts & washers	\$391.00

Filler Breathers

Spin-on Filler Breather Adaptors		
Part Number	Description	List Price
FBS-10012-012P	NPT Style Spin-on	\$30.00
FBS-10216-012P	NPT Style Spin-on	\$30.00
FBS-10816-104P	NPT Style Spin-on	\$30.00
FBS-10816-F	Flange Style Spin-on	\$88.00
FBS-10816-F-G	Flange Style w/Gauge Port	\$112.00
FBS-10012-B	Bayonet Style Spin-on	\$43.00
FBS-10216-B	Bayonet Style Spin-on	\$51.00
FBS-10816-B	Bayonet Style Spin-on	\$50.00

Filler Breather Caps			
Part	Custom Pt No Code1	Description	List Price
FB-C-A	A	"A" Cap	\$11.00
FB-C-D	D	"D" Cap	\$15.00
FB-C-H	H	"H" Cap	\$22.00
FB-C-K	K	"K" Cap	\$21.00
FB-C-MB-P004		Mini Cap 1/4" NPT	\$18.00
FB-C-MB-P006		Mini Cap 3/8" NPT	\$18.00
FB-C-MB-P008		Mini Cap 1/2" NPT	\$25.00
FB-C-MB-P012		Mini Cap 3/4" NPT	\$25.00

Filler Breather Mounting Flanges			
Part	Custom Pt No Code1	Description	List Price
FB-F-008	008	008 Flange 1/2" Height	\$8.00
FB-F-108	108	108 Flange 1 1/2" Height	\$20.00
FB-F-600	600	600 Flange 6" Height	\$119.00

Other Filler Breather Components			
Part	Custom Pt No Code1	Description	List Price
FB-O-L	L	Lock Kit (w/out Pad Lock)	\$6.00
FB-O-PL	PL	Pad Lock	\$11.00
FB-O-D*	D--	Dipstick (less than 6")	\$12.00
FB-O-D*	D--	Dipstick (6" or greater)	\$15.00

* Dipstick Option can be ordered as part of a cap assembly ONLY.

Filler Breather Screens			
Part	Custom Pt No Code1	Description	List Price
FB-S-P	P	"P" Screen - Nylon - 4"	\$16.00
FB-S-R	R ²	"R" Screen - Brass - 4"	\$16.00
FB-S-V	V ²	"V" Screen - Brass - 9 1/4"	Quote
FB-S-W	W	Screen - Stainless - 3 1/4" Length	\$12.00
FB-S-X	X	"X" Screen - Stainless - 6 1/2"	\$17.00
FB-S-Y	Y	Screen - Stainless - 8 1/4" Length	\$24.00
FB-S-Z	Z	Screen - Stainless - 10 1/4" Length	\$15.00
FB-S-C16	C16	Screen - Stainless - 3" Length, 16"	\$18.00

Standard Filler Breather Assemblies		
Part Number	Description	List Price
FB-A008W	A Cap - "W" Screen	\$17.00
FB-A008P	A Cap - "P" Screen	\$22.00
FB-K008W	K Cap - "W" Screen	\$31.00

- 1 Code used in part number breakdown on page 137 in our Product Catalog.
- 2 Check with factory for availability on these screens.

Return Line Flanges

Reservoir Return Line Flanges - Pipe Sizes		
Part Number	Description	List Price
PREMIUM LINE		
RLF-012P	3/4" Pipe	\$40.00
RLF-100P	1" Pipe	\$40.00
RLF-104P	1 1/4" Pipe	\$40.00
RLF-108P	1 1/2" Pipe	\$40.00
RLF-200P	2" Pipe	\$40.00
ECONOMY LINE		
RLF-000P	Blank	\$29.00
RLF-008P	1/2" Pipe	\$30.00
RLF-012P	3/4" Pipe	\$32.00
RLF-100P	1" Pipe	\$30.00
RLF-104P	1 1/4" Pipe	\$22.00
RLF-108P	1 1/2" Pipe	\$21.00
RLF-200P	2" Pipe	\$25.00

Reservoir Return Line Flanges - Tube Sizes		
Part Number	Description	List Price
PREMIUM LINE		
RLF-008T	1/2" Tube	\$40.00
RLF-012T	3/4" Tube	\$40.00
RLF-100T	1" Tube	\$40.00
RLF-104T	1 1/4" Tube	\$40.00
RLF-108T	1 1/2" Tube	\$40.00
RLF-200T	2" Tube	\$40.00
ECONOMY LINE		
RLF-006T	3/8" Tube	\$18.00
RLF-008T	1/2" Tube	\$26.00
RLF-012T	3/4" Tube	\$18.00
RLF-100T	1" Tube	\$28.00
RLF-104T	1 1/4" Tube	\$34.00
RLF-108T	1 1/2" Tube	\$28.00
RLF-200T	2" Tube	\$18.00

Suction Line Flanges

Reservoir Suction Line Flanges - Pipe Sizes		
Part Number	Description	List Price
PREMIUM LINE		
SLF-012P	3/4" Pipe	\$40.00
SLF-100P	1" Pipe	\$40.00
SLF-104P	1 1/4" Pipe	\$40.00
SLF-108P	1 1/2" Pipe	\$40.00
SLF-200P	2" Pipe	\$40.00
ECONOMY LINE 4 1/2" Cutout		
SLFE-500-000P	Blank	\$59.00
SLFE-500-008P	1/2" Pipe	\$54.00
SLFE-500-012P	3/4" Pipe	\$50.00
SLFE-500-100P	1" Pipe	\$49.00
SLFE-500-104P	1 1/4" Pipe	\$52.00
SLFE-500-108P	1 1/2" Pipe	\$59.00
SLFE-500-200P	2" Pipe	\$55.00
ECONOMY LINE 6 1/2" Cutout		
SLFE-700-108P	1 1/2" Pipe	\$86.00
SLFE-700-200P	2" Pipe	\$81.00
SLFE-700-208P	2 1/2" Pipe	\$81.00
SLFE-700-300P	3" Pipe	\$114.00

Reservoir Suction Line Flanges - Tube Sizes		
Part Number	Description	List Price
PREMIUM LINE		
SLF-008T	1/2" Tube	\$40.00
SLF-012T	3/4" Tube	\$40.00
SLF-100T	1" Tube	\$40.00
SLF-104T	1 1/4" Tube	\$40.00
SLF-108T	1 1/2" Tube	\$40.00
SLF-200T	2" Tube	\$40.00
ECONOMY LINE 4 1/2" Cutout		
SLFE-500-006T	3/8" Tube	\$31.00
SLFE-500-008T	1/2" Tube	\$31.00
SLFE-500-012T	3/4" Tube	\$47.00
SLFE-500-100T	1" Tube	\$56.00
SLFE-500-104T	1 1/4" Tube	\$49.00
SLFE-500-108T	1 1/2" Tube	\$60.00

SAE Full and Half Couplings

Part	Description	List Price
SAE to NPT Full Couplings		
4S-4N-TD	#4 SAE to 1/4" NPT	\$16.00
6S-6N-TD	#6 SAE to 3/8" NPT	\$18.00
8S-8N-TD	#8 SAE to 1/2" NPT	\$19.00
10S-12N-TD	#10 SAE to 1/2" NPT	\$36.00
12S-12N-TD	#12 SAE to 3/4" NPT	\$22.00
16S-16N-TD	#16 SAE to 1" NPT	\$30.00
SAE to Socket Weld Full Couplings		
8S-8W	#8 SAE to 1/2" Pipe	\$19.00
10S-8W	#10 SAE to 1/2" Pipe	\$82.00
12S-12W	#12 SAE to 3/4" Pipe	\$33.00
16S-16W	#16 SAE to 1" Pipe	\$42.00
20S-20W	#20 SAE to 1 1/4" Pipe	\$65.00
24S-24W	#24 SAE to 1 1/2" Pipe	\$89.00

Part	Description	List Price
SAE Half Couplings		
4S-TD	#4 SAE	\$12.00
6S-TD	#6 SAE	\$13.00
8S-TD	#8 SAE	\$15.00
10S-TD	#10 SAE	\$22.00
12S-TD	#12 SAE	\$19.00
16S-TD	#16 SAE	\$31.00
20S-TD	#20 SAE	\$51.00
24S-TD	#24 SAE	\$58.00

Channel Mounted Cushion Clamps

Channel Mounted Cushion Clamps - TUBE SIZES				
Part Number	Description	List Price	Box	
			Quantity	List Per Box
MCC-008T	1/4" Tube	\$6.50	25	\$162.50
MCC-012T	3/8" Tube	\$6.00	25	\$150.00
MCC-016T	1/2" Tube	\$6.50	25	\$162.50
MCC-020T	5/8" Tube	\$6.50	25	\$162.50
MCC-024T	3/4" Tube	\$7.00	25	\$175.00
MCC-028T	7/8" Tube	\$3.00	25	\$75.00
MCC-100T	1" Tube	\$8.50	25	\$212.50
MCC-104T	1 1/8" Tube	\$3.00	20	\$60.00
MCC-106T	1 3/16" Tube	Quote	20	Quote
MCC-108T	1 1/4" Tube	\$10.00	20	\$200.00
MCC-112T	1 3/8" Tube	\$4.00	20	\$80.00
MCC-116T	1 1/2" Tube	\$10.50	20	\$210.00
MCC-120T	1 5/8" Tube	\$12.00	20	\$240.00
MCC-124T	1 3/4" Tube	\$12.00	20	\$240.00
MCC-128T	1 7/8" Tube	\$6.00	20	\$120.00
MCC-200T	2" Tube	\$6.00	10	\$60.00
MCC-204T	2 1/8" Tube	\$7.00	10	\$70.00
MCC-208T	2 1/4" Tube	\$8.00	10	\$80.00
MCC-212T	2 3/8" Tube	\$9.00	10	\$90.00
MCC-216T	2 1/2" Tube	\$9.00	5	\$45.00
MCC-220T	2 5/8" Tube	\$9.00	5	\$45.00
MCC-228T	2 7/8" Tube	\$12.00	5	\$60.00
MCC-300T	3" Tube	\$12.00	5	\$60.00
MCC-304T	3 1/8" Tube	\$12.00	5	\$60.00
MCC-320T	3 5/8" Tube	\$16.00	5	\$80.00
MCC-404T	4 1/8" Tube	\$24.00	5	\$120.00

Channel Mounted Cushion Clamps - PIPE SIZES				
Part Number	Description	List Price	Box	
			Quantity	List Per Box
MCC-008P	1/4" Pipe	\$3.00	25	\$75.00
MCC-012P	3/8" Pipe	\$3.00	25	\$75.00
MCC-016P	1/2" Pipe	\$3.00	25	\$75.00
MCC-024P	3/4" Pipe	\$3.00	20	\$60.00
MCC-100P	1" Pipe	\$11.00	20	\$220.00
MCC-108P	1 1/4" Pipe	\$6.00	20	\$120.00
MCC-116P	1 1/2" Pipe	\$7.00	20	\$140.00
MCC-200P	2" Pipe	\$10.00	10	\$100.00
MCC-216P	2 1/2" Pipe	\$12.00	5	\$60.00
MCC-300P	3" Pipe	\$15.00	5	\$75.00
MCC-316P	3 1/2" Pipe	\$22.00	5	\$110.00
MCC-400P	4" Pipe	\$30.00	5	\$150.00
MCC-500P	5" Pipe	\$46.00	1	\$46.00
MCC-600P	6" Pipe	\$62.00	1	\$62.00

Suction Strainers

Suction Strainers - Internally Mounted		
Part	By-Pass	List Price
SS-003P006-1-0	None	\$26.00
SS-005P008-1-0	None	\$27.00
SS-005P008-1-*	3 or 5 psi	\$44.00
SS-008P012-1-0	None	\$29.00
SS-008P012-1-*	3 or 5 psi	\$44.00
SS-010P100-1-0	None	\$37.00
SS-010P100-1-*	3 or 5 psi	\$52.00
SS-023P104-1-0	None	\$45.00
SS-023P104-1-*	3 or 5 psi	\$51.00
SS-032P108-1-0	None	\$41.00
SS-032P108-1-*	3 or 5 psi	\$65.00
SS-053P200-1-0	None	\$77.00
SS-053P200-1-*	3 or 5 psi	\$90.00
SS-075P208-1-0	None	\$105.00
SS-075P208-1-*	3 or 5 psi	\$123.00

* See page 153 in our Product Catalog for Part Number Breakdown on optional Wire Mesh and By-Pass settings.

Note: Mesh sizes on both the Internally and Externally Mounted Strainers, other than 100 Mesh, are QUOTED items.

Suction Strainers - Externally Mounted		
Part	By-Pass	List Price
SS-008P012/P104-1-0	None	\$40.00
SS-014P100/P108-1-0	None	\$41.00
SS-014P100/P108-1-*	3 or 5 psi	\$55.00
SS-014P100/P300-1-0	None	\$68.00
SS-014P100/P300-1-*	3 or 5 psi	\$71.00
SS-014S020/P300-1-0	None	\$87.00
SS-014S020/P300-1-*	3 or 5 psi	\$93.00
SS-021S024/P300-1-0	None	\$80.00
SS-021S024/P300-1-*	3 or 5 psi	\$100.00
SS-023P104/P200-1-0	None	\$48.00
SS-023P104/P200-1-*	3 or 5 psi	\$61.00
SS-023P104/P300-1-0	None	\$70.00
SS-023P104/P300-1-*	3 or 5 psi	\$62.00
SS-032P108/P300-1-0	None	\$77.00
SS-032P108/P300-1-*	3 or 5 psi	\$85.00
SS-053P200/P300-1-0	None	\$103.00
SS-053P200/P300-1-*	3 or 5 psi	Quote
SS-053P200/P400-1-0	None	\$121.00
SS-053P200/P400-1-*	3 or 5 psi	\$129.00
SS-075P208/P400-1-0	None	\$135.00
SS-075P208/P400-1-*	3 or 5 psi	Quote

* See page 154 in our Product Catalog for Part Number Breakdown on optional Wire Mesh and By-Pass settings.

Tank Diffusers

Tank Diffusers		
Part Number	Outside Diameter	List Price
TD-014P008-D1	1.30"	\$33.00
TD-025P012-D2	3.20"	\$27.00

Tank Diffusers		
Part Number	Outside Diameter	List Price
TD-157P200-D1	4.20"	Quote

Filter Heads and Elements

Spin-on Filter Heads with ΔP Indicator

Spin-on Filter Heads		
Part Number	Description	List Price
SFH-P104/00-0-0-00	1 1/4" NPT x 1 1/4" NPT - no options	\$59.00
SFH-B104/00-0-0-0-00	1 1/4" BSP x 1 1/4" BSP - no options	\$59.00

Option Price Adders		
Option	Description	List Price
By-Pass Valve Setting	All Codes	\$5.00
Gauge Port Location	Locations 1&3 or 4&6 (per set)	\$5.00
Gauge Port Location	Locations 2 or 5 (each)	\$5.00
ΔP Indicator Option	V Code	\$31.00
	E Code	\$47.00
	B Code	\$182.00

Spin-on Filter Elements		
Part Number	Description	List Price
Cellulose Media		
CSFE-003-069	6.9" Length, 3 Micron	\$32.00
CSFE-010-069	6.9" Length, 10 Micron	\$35.00
CSFE-025-069	6.9" Length, 25 Micron	\$25.00
CSFE-141-069	6.9" Length, 141 Micron	\$66.00
CSFE-003-109	10.9" Length, 3 Micron	\$54.00
CSFE-003-109/WA	10.9" Length, 3 Micron, Water Absorbing	\$65.00
CSFE-010-109	10.9" Length, 10 Micron	\$40.00
CSFE-010-109/WA	10.9" Length, 10 Micron, Water Absorbing	\$59.00
CSFE-025-109	10.9" Length, 25 Micron	\$39.00
CSFE-141-109	10.9" Length, 141 Micron	\$93.00

Spin-on Filter Elements		
Part Number	Description	List Price
Synthetic Media		
SSFE-003-067	6.7" Length, 3 Micron	\$78.00
SSFE-010-067	6.7" Length, 10 Micron	\$112.00
SSFE-025-067	6.7" Length, 25 Micron	\$78.00
SSFE-003-107	10.7" Length, 3 Micron	\$78.00
SSFE-010-107	10.7" Length, 10 Micron	\$78.00
SSFE-025-107	10.7" Length, 25 Micron	\$78.00

Filter Heads and Elements (continued)

Tank Top Filter Heads - Integral Breather Series

Integral Breather Tank Top Filter Heads		
Part	Description	List Price
TTF-ITB-S008-0	#8 SAE - no Dipstick	\$52.00
TTF-ITB-S012-0	#12 SAE - no Dipstick	\$69.00
TTF-ITB-B012-0	3/4" BSP - no Dipstick	\$52.00
Option Price Adders		
Dipstick	D Codes	\$19.00

Integral Breather Tank Top Filter Elements		
Part	Description	List Price
Cellulose Media		
CTTE-ITB-03N	3 Micron Nominal	\$25.00
CTTE-ITB-10N	10 Micron Nominal	\$39.00
CTTE-ITB-25N	25 Micron Nominal * Sold in multiples of 6. Non-Returnable.	\$29.00
Synthetic Media		
STTE-ITB-03A	3 Micron Absolute	Quote
STTE-ITB-10A	10 Micron Absolute	\$61.00

Tank Top Filter Heads - Suction /Return Line Series

Suction/Return Line Tank Top Filter Heads		
Part	Description	List Price
ALUMINUM BODY		
TTF-ASR-xxx/xxx-xx-10-0	All L & R Ports - Code 10 Gauge Port Location, no Oil Fill Port	\$160.00
TTF-ASR-xxx/xxx-xx-12-0	All L & R Ports - Code 12 Gauge Port Location, no Oil Fill Port	\$165.00
TTF-ASR-xxx/xxx-xx-1P-0	All L & R Ports - Code 1P Gauge Port Location, 1 1/4" NPT Oil Fill Port	\$185.00
TTF-ASR-xxx/xxx-xx-1S-0	All L & R Ports - Code 1S Gauge Port Location, #12 SAE Oil Fill Port	\$194.00
STEEL BODY		
TTF-SSR-xxx/xxx-xx-10-0	All L & R Ports - Code 10 Gauge Port Location, no Oil Fill Port	\$160.00
TTF-SSR-xxx/xxx-xx-12-0	All L & R Ports - Code 12 Gauge Port Location, no Oil Fill Port	\$165.00
TTF-SSR-xxx/xxx-xx-1P-0	All L & R Ports - Code 1P Gauge Port Location, 1 1/4" NPT Oil Fill Port	\$165.00
TTF-SSR-xxx/xxx-xx-1S-0	All L & R Ports - Code 1S Gauge Port Location, #12 SAE Oil Fill Port	\$194.00
Option Price Adders - all bodies		
Check Valve	V Code	\$12.00

Filter Heads and Elements (continued)

Suction/Retrun Line Tank Top Filter Elements		
Part	Description	List Price
Cellulose Media for TTF-ASR Body		
CTTE-ASR-003-092-BD	For Aluminum Body, 3 Micron, Bi-Directional Flow	\$29.00
CTTE-ASR-003-092-OI/WA	For Aluminum Body, 3 Micron, Outside to Inside Flow, Water Absorbing	\$38.00
CTTE-ASR-010-092-BD	For Aluminum Body, 10 Micron, Bi-Directional Flow	\$34.00
CTTE-ASR-025-092-BD	For Aluminum Body, 25 Micron, Bi-Directional Flow	\$22.00
CTTE-ASR-010-182-BD	For Aluminum Body, 10 Micron, Bi-Directional Flow	\$39.00
CTTE-ASR-025-182-BD	For Aluminum Body, 25 Micron, Bi-Directional Flow	\$39.00
CTTE-ASR-100-092-OI	For Aluminum Body, 141 Micron, Outside to Inside Flow	\$75.00
CTTE-ASR-100-092-IO	For Aluminum Body, 141 Micron, Inside to Outside Flow	\$75.00
CTTE-ASR-100-092-OI/M	For Aluminum Body, 141 Micron, Outside to Inside Flow, Magnetic	\$180.00
CTTE-ASR-100-092-IO/M	For Aluminum Body, 141 Micron, Inside to Outside Flow, Magnetic	\$180.00
CTTE-ASR-100-182-OI	For Aluminum Body, 141 Micron, Outside to Inside Flow	\$145.00
Synthetic Media for TTF-ASR Body		
STTE-ASR-003-092-OI	For Aluminum Body, 3 Micron, Outside to Inside Flow	\$98.00
STTE-ASR-010-092-OI	For Aluminum Body, 10 Micron, Outside to Inside Flow	\$73.00
STTE-ASR-003-182-OI	For Aluminum Body, 3 Micron, Outside to Inside Flow	\$183.00
STTE-ASR-010-182-OI	For Aluminum Body, 10 Micron, Outside to Inside Flow	\$164.00
Cellulose Media for TTF-SSR Body		
CTTE-SSR-003-092-BD	For Steel Body, 3 Micron, Bi-Directional Flow	\$28.00
CTTE-SSR-010-092-BD	For Steel Body, 10 Micron, Bi-Directional Flow	\$23.00
CTTE-SSR-010-092-IO/WA	For Steel Body, 10 Micron, Outside to Inside Flow, Water Absorbing	\$35.00
CTTE-SSR-025-092-BD	For Steel Body, 25 Micron, Bi-Directional Flow	\$23.00
CTTE-SSR-010-182-BD	For Steel Body, 10 Micron, Bi-Directional Flow	\$41.00
CTTE-SSR-025-182-BD	For Steel Body, 25 Micron, Bi-Directional Flow	\$41.00
CTTE-SSR-100-092-OI	For Steel Body, 141 Micron, Outside to Inside Flow	\$75.00
CTTE-SSR-100-092-IO	For Steel Body, 141 Micron, Inside to Outside Flow	\$75.00
CTTE-SSR-100-092-OI/M	For Steel Body, 141 Micron, Outside to Inside Flow, Magnetic	\$184.00
CTTE-SSR-100-092-IO/M	For Steel Body, 141 Micron, Inside to Outside Flow, Magnetic	\$184.00
Synthetic Media for TTF-SSR Body		
STTE-SSR-003-092-OI	For Steel Body, 3 Micron, Outside to Inside Flow	\$98.00
STTE-SSR-010-092-OI	For Steel Body, 10 Micron, Outside to Inside Flow	\$72.00
STTE-SSR-003-182-OI	For Steel Body, 3 Micron, Outside to Inside Flow	\$189.00
STTE-SSR-010-182-OI	For Steel Body, 10 Micron, Outside to Inside Flow	\$164.00

Pressure Gauges

Pressure Gauges		
Part	Description	List Price
LFPG-208-xxx-04N/BS	2 1/2" Gauge, All Dial Ranges, 1/4" NPT Bottom Stem	Quote
LFPG-208-xxx-04N/RS	2 1/2" Gauge, All Dial Ranges, 1/4" NPT Rear Stem	Quote
LFPG-400-xxx-04N/BS	4" Gauge, All Dial Ranges, 1/4" NPT Bottom Stem	Quote
LFPG-400-xxx-08N/BS	4" Gauge, All Dial Ranges, 1/2" NPT Bottom Stem	Quote
LFPG-400-xxx-04N/RS	4" Gauge, All Dial Ranges, 1/4" NPT Rear Stem	Quote

Gauge Isolators

Part	Description	List Price
GI-01-SAE	Single Station - SAE	\$176.00
GI-01-NPT	Single Station - NPT	\$176.00
GI-06-SAE	Six Station - SAE	\$243.00

Pressure Switches

Part	Description	List Price
PS-400-115	Single Switch	\$72.00
PS-400-215	Double Switch	\$105.00
PS-400-315	Triple Switch*	Not Avail.
Options		
L or H Code	High or Low Pressure Rated Spring	\$7.00
	Pre-Set Pressrue Settings	\$7.00

* The Triple Pressure Switch part number PS-400-315 has been discontinued. 1/23/17

Liquid Level Gauges

Liquid Level Gauges		
Part	Description	List Price
Standard Series		
SLLG-03T	3" Standard Gauge w/Temp	\$34.00
SLLG-03T-C	3" Standard Gauge w/Temp & Cover	\$43.00
SLLG-05T	5" Standard Gauge w/Temp	\$32.00
SLLG-05T-C	5" Standard Gauge w/Temp & Cover	\$46.00
SLLG-10T	10" Standard Gauge w/Temp	\$58.00
SLLG-10T-C	10" Standard Gauge w/Temp & Cover	\$69.00
Premium Series		
PLLG-03T	3" Premium Gauge w/Temp	\$50.00
PLLG-05T	5" Premium Gauge w/Temp	\$87.00
PLLG-10T	10" Premium Gauge w/Temp	\$106.00
Sight Glass Series		
SLSG-100	1 1/4" Nylon Sight Glass	\$12.00

Motor Base Plates

Part	Description	List Price
MBP-056/184	056C thru 184TC Base Plate	\$50.00
MBP-213/256	213TC thru 256TC Base Plate	\$69.00
MBP-284/326	284TC/TSC thru 326TC/TSC Base Plate	\$78.00

NEMA Motor Dampening Bars

Part	Description	List Price
Bolt Down Series		
MDB056-B	056C Motor Frame	\$212.00
MDB143-B	143TC Motor Frame	\$216.00
MDB145-B	145TC Motor Frame	\$220.00
MDB182-B	182TC Motor Frame	\$220.00
MDB184-B	184TC Motor Frame	\$220.00
MDB213-B	213TC Motor Frame	\$261.00
MDB215-B	215TC Motor Frame	\$278.00
MDB254-B	254TC Motor Frame	\$286.00
MDB256-B	256TC Motor Frame	\$318.00
MDB284-B	284TC Motor Frame	\$401.00
MDB286-B	286TC Motor Frame	\$466.00
MDB324-B	324TC Motor Frame	\$580.00
MDB326-B	326TC Motor Frame	\$580.00
MDB364-B	364TC Motor Frame	\$580.00
MDB365-B	365TC Motor Frame	\$622.00
MDB404-B	404TC Motor Frame	\$635.00
MDB405-B	405TC Motor Frame	\$761.00
MDB444-B	444TC Motor Frame	\$936.00
MDB445-B	445TC Motor Frame	\$936.00
MDB447-B	447TC Motor Frame	Quote
MDB449-B	449TC Motor Frame	Quote

Part	Description	List Price
Weld Series		
MDB056-W	056C Motor Frame	\$140.00
MDB143-W	143TC Motor Frame	\$146.00
MDB145-W	145TC Motor Frame	\$157.00
MDB182-W	182TC Motor Frame	\$157.00
MDB184-W	184TC Motor Frame	\$163.00
MDB213-W	213TC Motor Frame	\$192.00
MDB215-W	215TC Motor Frame	\$209.00
MDB254-W	254TC Motor Frame	\$232.00
MDB256-W	256TC Motor Frame	\$251.00
MDB284-W	284TC Motor Frame	\$366.00
MDB286-W	286TC Motor Frame	\$366.00
MDB324-W	324TC Motor Frame	\$466.00
MDB326-W	326TC Motor Frame	\$512.00
MDB364-W	364TC Motor Frame	\$512.00
MDB365-W	365TC Motor Frame	\$512.00
MDB404-W	404TC Motor Frame	\$561.00
MDB405-W	405TC Motor Frame	\$635.00
MDB444-W	444TC Motor Frame	\$844.00
MDB445-W	445TC Motor Frame	\$844.00
MDB447-W	447TC Motor Frame	Quote
MDB449-W	449TC Motor Frame	Quote

IEC Motor Dampening Bars

Part	Description	List Price
Bolt Down Series		
MDB071-B	IEC 71 Motor Size	\$264.00
MDB080-B	IEC 80 Motor Size	\$264.00
MDB090S-B	IEC 90 S Motor Size	\$286.00
MDB090L-B	IEC 90 L Motor Size	\$286.00
MDB100L-B	IEC 100 L Motor Size	\$286.00
MDB112M-B	IEC 112 M Motor Size	\$286.00
MDB132S-B	IEC 132 S Motor Size	\$333.00
MDB132M-B	IEC 132 M Motor Size	\$348.00
MDB160M-B	IEC 160 M Motor Size	\$361.00
MDB160L-B	IEC 160 L Motor Size	\$754.00
MDB180M-B	IEC 180 M Motor Size	\$754.00
MDB180L-B	IEC 180 L Motor Size	\$754.00
MDB200L-B	IEC 200 L Motor Size	\$762.00
MDB225S-B	IEC 225 S Motor Size	\$795.00
MDB225M-B	IEC 225 M Motor Size	\$795.00
MDB250M-B	IEC 250 M Motor Size	\$859.00
MDB280S-B	IEC 280 S Motor Size	\$1,122.00
MDB280M-B	IEC 280 M Motor Size	\$1,122.00
MDB315S-B	IEC 315 S Motor Size	\$1,171.00
MDB315M-B	IEC 315 M Motor Size	\$1,171.00
MDB315L-B	IEC 315 L Motor Size	\$1,171.00

Part	Description	List Price
Weld Series		
MDB071-W	IEC 71 Motor Size	\$189.00
MDB080-W	IEC 80 Motor Size	\$189.00
MDB090S-W	IEC 90 S Motor Size	\$205.00
MDB090L-W	IEC 90 L Motor Size	\$205.00
MDB100L-W	IEC 100 L Motor Size	\$205.00
MDB112M-W	IEC 112 M Motor Size	\$205.00
MDB132S-W	IEC 132 S Motor Size	\$271.00
MDB132M-W	IEC 132 M Motor Size	\$271.00
MDB160M-W	IEC 160 M Motor Size	\$440.00
MDB160L-W	IEC 160 L Motor Size	\$606.00
MDB180M-W	IEC 180 M Motor Size	\$606.00
MDB180L-W	IEC 180 L Motor Size	\$606.00
MDB200L-W	IEC 200 L Motor Size	\$672.00
MDB225S-W	IEC 225 S Motor Size	\$672.00
MDB225M-W	IEC 225 M Motor Size	\$672.00
MDB250M-W	IEC 250 M Motor Size	\$701.00
MDB280S-W	IEC 280 S Motor Size	\$1,057.00
MDB280M-W	IEC 280 M Motor Size	\$1,013.00
MDB315S-W	IEC 315 S Motor Size	\$1,013.00
MDB315M-W	IEC 315 M Motor Size	\$1,057.00
MDB315L-W	IEC 315 L Motor Size	\$1,057.00

Reservoir Accessories / Rod End Couplers



Modular O-Ring Kits

Part	Description	List Price
ORK-12000	Buna O-Ring Kit	\$768.00
ORK-12001	Viton O-Ring Kit	\$1,894.00

Motor Dampening Bar Weld Pad Kits*

Part	Description	List Price
MWP056-256	056C thru 256TC Motor Frames	\$64.00
MWP284-286	284TC/TSC thru 286TC/TSC Motor Frames	\$92.00
MWP324-365	324TC/TSC thru 365TC/TSC Motor Frames	\$92.00
MWP404-405	404TC/TSC thru 405TC/TSC Motor Frames	\$108.00
MWP444-449	444TC/TSC thru 449TC/TSC Motor Frames	\$128.00
MWP071-132M	IEC 071 thru IEC 132 M Motor Size	Quote
MWP160M-180L	IEC 160 M thru IEC 180 L Motor Size	Quote
MWP200L-315L	IEC 200 L thru IEC 315 L Motor Size	Quote

* Kit includes 4 Weld Pads only.
Order Bolt Down Series Dampening Bars separately

Rod End Couplers

M-Series Rod End Couplers		
Part	Description	List Price
M010-01024	M Series 5/16-24 Thread	\$42.00
M010-01224	M Series 3/8-24 Thread	\$43.00
M015-01420	M Series 7/16-20 Thread	\$41.00
M015-01620	M Series 1/2-20 Thread	\$42.00
M020-02018	M Series 5/8-18 Thread	\$72.00
M020-02416	M Series 3/4-16 Thread	\$70.00
M020-02814	M Series 7/8-14 Thread	\$72.00
M030-10014	M Series 1-14 Thread	\$111.00
M040-10812	M Series 1 1/4-12 Thread	\$175.00
M050-11612	M Series 1 1/2-12 Thread	\$293.00
M050-12412	M Series 1 3/4-12 Thread	\$293.00
M060-12812	M Series 1 7/8-12 Thread	\$448.00
M060-20012	M Series 2-12 Thread	\$426.00
M070-20812	M Series 2 1/4-12 Thread	\$951.00
M080-21612	M Series 2 1/2-12 Thread	\$1,250.00
M080-22412	M Series 2 3/4-12 Thread	\$1,250.00
M080-30012	M Series 3-12 Thread	\$1,250.00
M100-30812	M Series 3 1/4-12 Thread	Quote
M140-40812	M Series 4 1/4-12 Thread	Quote

R-Series Rod End Couplers		
Part	Description	List Price
R010-01024	R Series 5/16-24 Thread	\$38.00
R010-01224	R Series 3/8-24 Thread	\$38.00
R020-01420	R Series 7/16-20 Thread	\$40.00
R020-01620	R Series 1/2-20 Thread	\$40.00
R020-02018	R Series 5/8-18 Thread	\$55.00
R030-02416	R Series 3/4-16 Thread	\$62.00
R030-02814	R Series 7/8-14 Thread	\$62.00
R040-10014	R Series 1-14 Thread	\$104.00
R040-10812	R Series 1 1/4-12 Thread	\$136.00

For Availability of Other Series / Thread Combinations, Consult Factory

Make the Connection with **magnaloy**

Whatever your Fluid Power Unit needs, Magnaloy has the products to keep you connected.



Flexible Drive Couplings

Top-of-the-line magnesium couplings are lighter, yet stronger than either cast iron or aluminum. They also offer better corrosion resistance and easier handling.

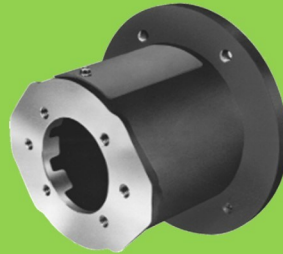


Magnaloy Hydraulic Bar Manifolds & Accessories

Complete line of Inline Bar Manifolds, Subplates, Cover Plates, Valve Adaptors, Integrated Circuit Manifolds, and Accessories to make the design and fabrication of Hydraulic Circuitry simple and easy. Wide range of sizes include: D03, D05, D05H & D08 in aluminum and steel with ports available in SAE, NPTF, BSPP, and BSPT styles. Custom design and fabrication also available, consult factory.

Accessories

Filler Breather Adaptors, Filler Breathers, Reservoir Flanges, Suction Strainers, Gauge Isolators, Liquid Level Gauges, Modular O-Ring Kits.



Pump/Motor Mounts

Precision machined aluminum & custom steel pump/motor mounts directly connect the motor and pump while ensuring accurate shaft alignment and enclosing the coupling. Vertical and horizontal models readily available from stock.



Rod End Couplers

Two models of accurately machined high tensile cylinder rod end alignment couplers offer 7° or 10° spherical and 1/8" parallel misalignment capabilities.



PM 90 Couplings

Economical PM-90 Iron Powder Couplings have long lasting nitrile, hytrel or urethane inserts. Double set screws give excellent gripping power.



Magnaloy Reservoirs & Reservoir Accessories

Pressure Magnaloy offers a complete line of standard reservoirs and reservoir accessories. In addition, we offer custom reservoir fabrication to meet our customer specific needs. Reservoir accessories such as Clean Out Covers and SAE Couplings are available for the "do-it-yourself" reservoir manufacturer.



Magnaloy Pressure Switch

Pressure Sensing switch capable of sensing up to two (2) separate pressures. Each sensor is externally independently adjustable from 200 to 4000 psi. Viton seals provide wide fluid compatibility range.